



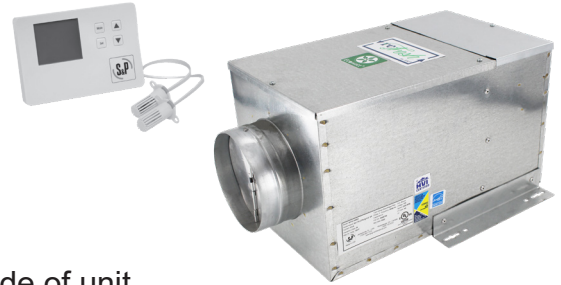
ADVANCING VENTILATION®

RF10-160EC-ES24V



Most Efficient 2022
www.energystar.gov

ReFresh RF10-160EC-ES24V Submittal



Specifications

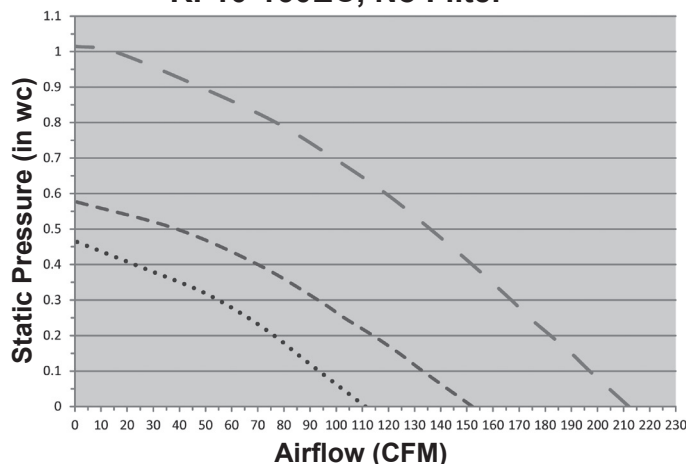
- ES24V – Envirosense Ventilation Control mounted to outside of unit
- Galvanized, 26 ga., insulated housing
- 6” round duct connectors
- Integral backdraft damper
- Test port for easy air flow measurement
- 2” wide filter slot for optional 10 x 10 x 2” filters
- Integral mounting tabs allow mounting in any orientation
- Backward inclined wheel
- Speed controllable, EC motor, 120V, 60 Hz
- 4 pole, permanently lubricated, thermally protected motor
- Internally mounted rotary speed control to set required intake with high, medium and low set points
- 6’ power cord
- Inlet guard for motor protection
- ENERGY STAR® qualified
- AMCA Air and Sound Licensed
- HVI Certified performance with and without optional MERV13 Filters
- cULus 507 Listed
- UL 2043 - Suitable for Use In Air Handling Spaces

Options and Accessories

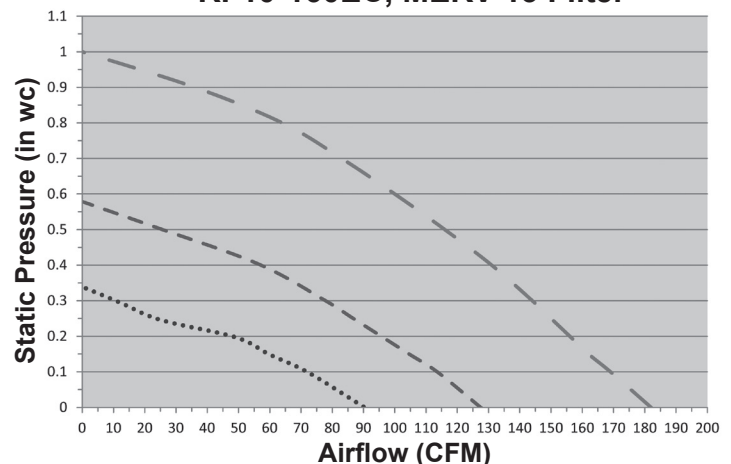
- 10 x 10 x 2” MERV8 or MERV13 filters
- Steel backdraft dampers
- Motorized backdraft damper
- Duct heater

AMCA Performance

RF10-160EC, No Filter



RF10-160EC, MERV 13 Filter



All specifications are subject to change without notice unless approved in submittal by S&P USA.

RF10-160EC-ES24V_03022022



ReFresh RF10-160EC-ES24V

Submittal

HVI Certified Performance

Model	Speed Setting	Speed (RPM)	CFM @ Static Pressure (inches w.g.)								Amps @ .2" SP	Watts @ .2" SP	Efficacy (CFM/Watts) @ .2" SP
			0	.1	.15	.2	.25	.3	.4	.5			
RF10-160EC	LS	1340	84	65	53	40	27	-	-	-	0.13	7.5	7.1
	MS	1730	139	120	110	100	91	78	52	-	0.25	15.6	6.9
	HS	2300	201	185	177	170	163	155	139	121	0.54	34	5.1
RF10-160EC (With MERV 13 Filter)	LS	1340	68	52	42	30	19	-	-	-	0.13	7.2	5.6
	MS	1730	126	108	99	90	78	68	46	-	0.26	15.6	5.8
	HS	2300	176	162	156	150	143	136	121	105	0.56	35.5	4.2

Speed is Nominal. Performances at .2" of w.g. are HVI certified.

AMCA Certified Performance

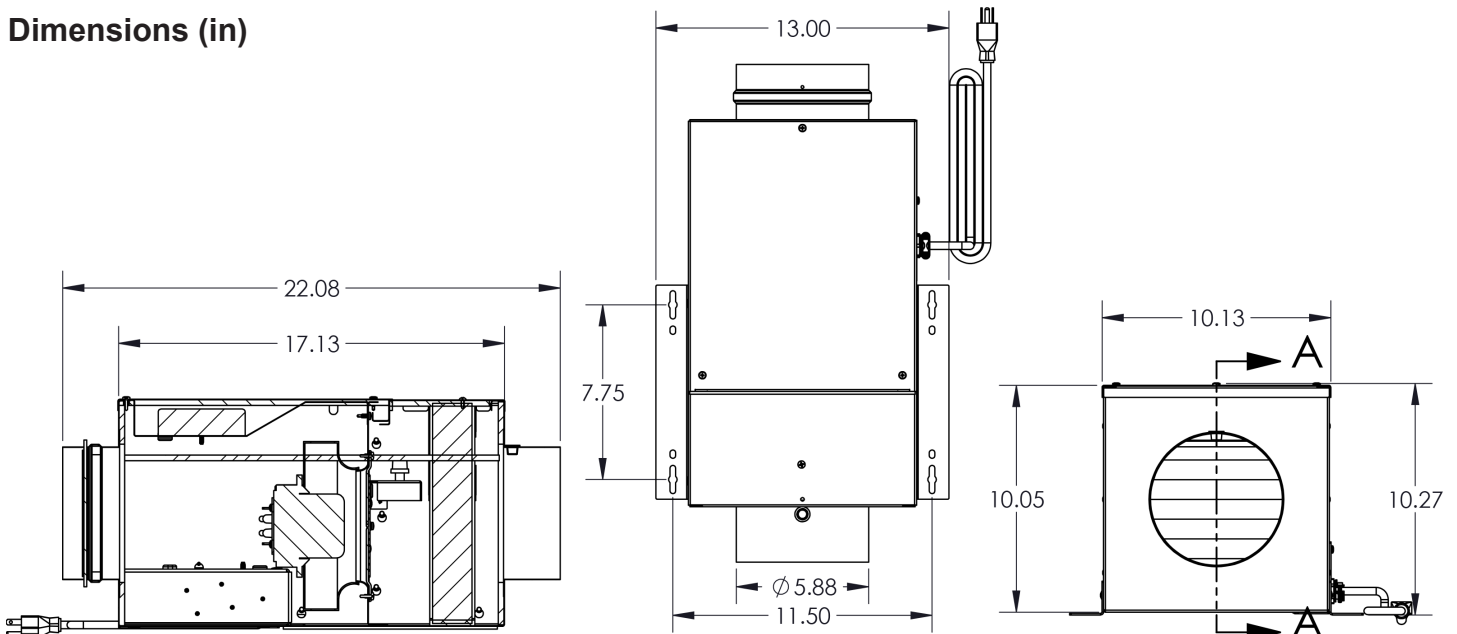
Model	Speed Setting	Speed (RPM)	CFM @ Static Pressure (inches w.g.)								Sones @ .2" SP	Amps @ .2" SP	Watts @ .2" SP
			0	.1	.15	.2	.25	.3	.4	.5			
RF10-160EC	LS	1330	111	88	77	64	48	26	-	-	1.5	0.12	8.2
	MS	1730	152	133	124	114	103	93	70	39	3.4	0.23	15.7
	HS	2300	212	197	190	182	174	167	152	136	6.0	0.49	35.1
RF10-160EC (With MERV 13 Filter)	LS	1330	90	72	60	49	25	12	-	-	1.4	0.12	7.5
	MS	1730	127	113	104	95	86	77	56	24	3.7	0.22	15.7
	HS	2300	182	169	162	156	150	144	131	116	5.0	0.48	35.8

Speed is Nominal. Performance certified is for installation type D: Ducted inlet, Ducted outlet. Performance ratings do not include the effects of appurtenances.



S&P USA Ventilation Systems, LLC., Div. of Soler & Palau Ventilation Group, certifies that the Models RF10 shown herein are licensed to bear the AMCA Seal. The ratings shown are based on test and procedures performed in accordance with AMCA Publication 211 and AMCA Publication 311 and comply with the requirement of the AMCA Certified Ratings Program.

Dimensions (in)



All specifications are subject to change without notice unless approved in submittal by S&P USA.
RF10-160EC-ES24V_03022022

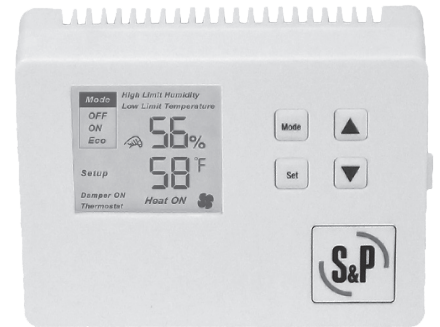




ES24V - Envirosense Ventilation Control Submittal

ES24V

The ES24V control can be used with our RF-reFresh, TD-MIXVENT, TD-SILENT, PV-POWERVENT, or TR-ERVs. When paired with S&P fans the ES24V provides fully controllable fresh air into a residence. With three modes (Off, On, and Eco-Mode) the ES24V ensures compliance with today's outside air codes.



- “Off” allows for manual override as required by the code
- “On” allows for continuous operation
- “Eco-Mode” allows homeowner to set humidity and/or temperature minimum and maximums.
- When readings exceed the programmed min/max parameters the control reverts to a minimum operation sequence to satisfy code requirements. When the outside air is within the min and max range the fan will operate at the set time limit or continuously to meet the code requirements, i.e. 25 minutes every hour.

Features

- Easy to read, back-lit LCD screen
- 24 VAC control
- Intuitive four-button user interface
- Easily programmable to operate the supply fan continuously or intermittently using on and Eco-Modes respectively
- Measures outdoor humidity and temperature and minimizes ventilation at adjustable high and low outdoor temperature and humidity lockouts
- Optional interlocking with central A/C blower motor
- Control programming maintains ASHRAE 62.2-2010 even during high and low temperature and humidity limit lockouts
- Installation flexibility – ability to override humidity and temperature control
- Auxiliary terminals for optional supply fan, duct heater and motorized damper connections

Dimensions

