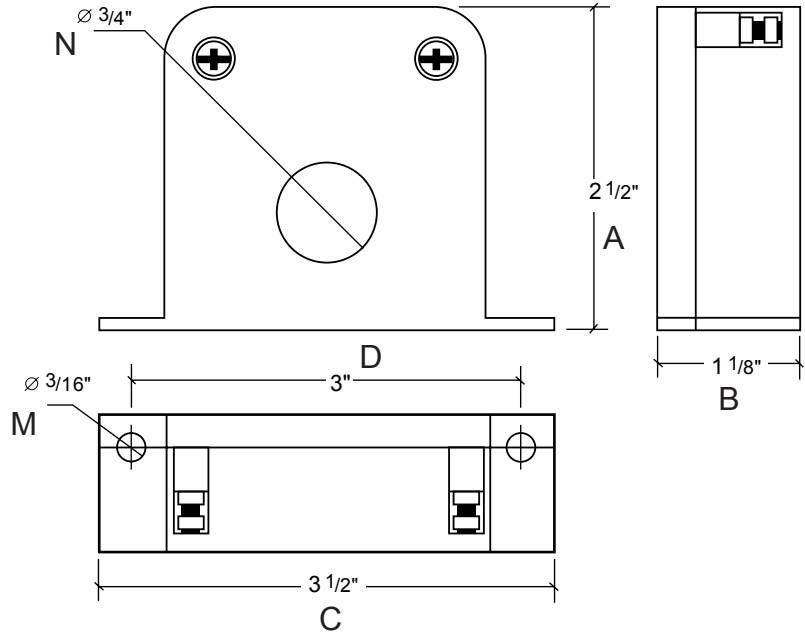




P: 800.961.7370  
www.solerpalau-usa.com

# CS-325 - Current Sensor



## Specifications

Operating Temperature	23 ~ 104 °F (-5 ~ +40 °C)
Action Current Range	1.20 - 60 Amp-turns
H x W x D	2.75" x 3.5" x 1.1" (70 x 89 x 28 mm)
AC Conductor Hole	0.75" (19 mm) Diameter
Trip Set-Point	Factory preset at approximately 1.2 Amps
Operating Humidity	0 - 99%
Material	Self-extinguising ABS (Cyclac 94V-0)
Switch Rating	120 Vac @ 3.5 Amps Max
Mounting Holes	2 x 0.19" holes spaced 3" on base (2 x 5 mm holes spaced 76 mm on base)
Output Type	Triac with volts surge protected design
Leakage Current	< 1mA
Manufacturing Process	ISO 9001 Certified

ACCESSORY MODEL	1	2	3	4	5	REMARKS

Project: _____	Submitted: _____
Customer: _____	Approved: _____
Location: _____	

For more information contact us at [www.solerpalau-usa.com](http://www.solerpalau-usa.com) or 1.800.961.7370 for additional submittal drawings.

Soler & Palau will not be responsible for fabrication changes or errors resulting from customer use of a non-current submittal drawing.