



P: 800.961.7370
www.solerpalau-usa.com

ALUMINUM DOOR LOUVER MODEL ADL

FEATURES

Frame

- .040 thick extruded aluminum

Blades

- Inverted V style, .040 thick extruded aluminum, spaced approximately 5/8" centers

Construction

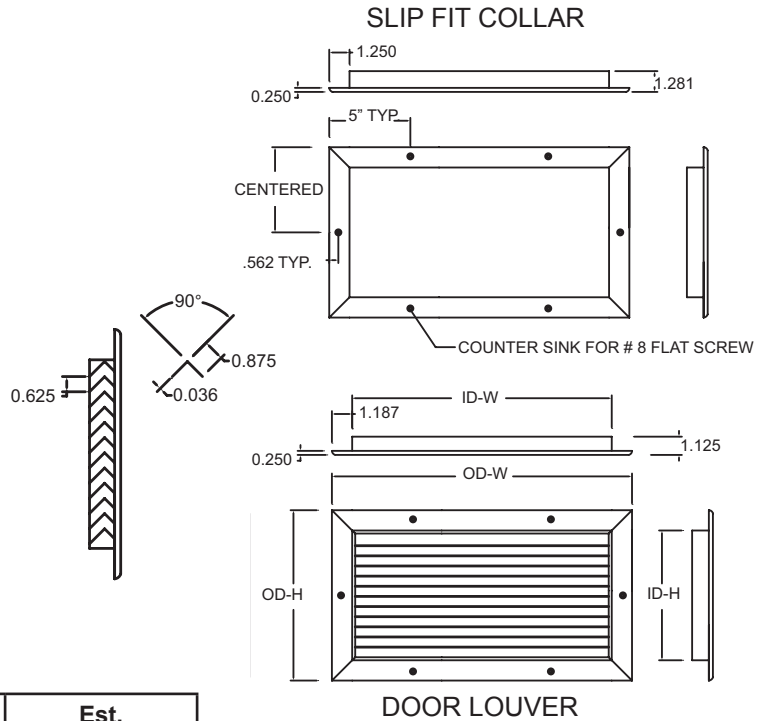
- Mitered and staked corners

Finish

- 204-R1 Clear Anodized

Fasteners

- #8 x 3/4" Phillips head screws



Dimensions in Inches

Part No.	Hole Opening		Actual OD		Est. Shipping Weight (lbs)
	W	H	W	H	
ADL10X4	10.5	4.5	12.25	6.125	2
ADL12X12	12.5	12.5	14.25	14.125	4
ADL16X8	16.5	8.5	18.25	10.125	3.5
ADL16X16	16.5	16.5	18.25	18.125	5
ADL20X10	20.5	10.5	22.25	12.125	4.5
ADL20X20	20.5	20.5	22.25	22.125	7
ADL24X12	24.5	12.5	26.25	14.125	5.5
ADL24X24	24.5	24.5	26.25	26.125	9