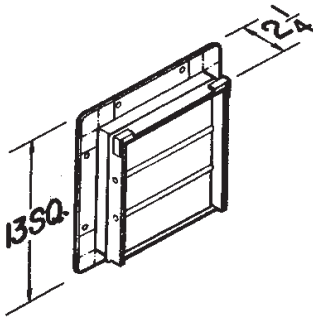


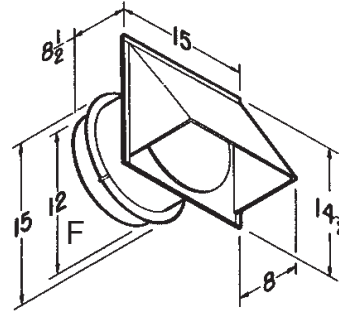


CEILING & INLINE VENTILATOR ACCESSORIES

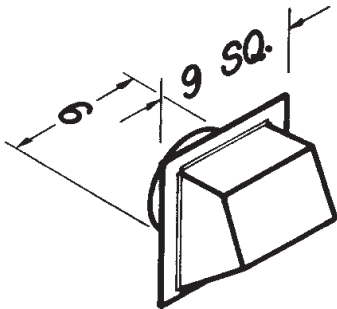
WALL CAPS FOR FF/FFC UNITS



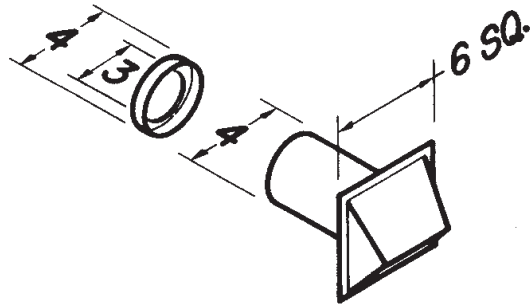
- Model 441**
- Gravity dampers
 - Collar with birdscreen for attaching 10" round duct
 - Steel construction with aluminum louvers



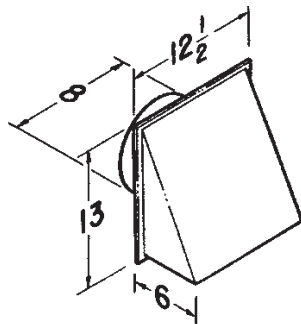
- Model 613**
- High Capacity
 - Built-in backdraft damper & birdscreen
 - Aluminum natural finish
 - For 12" round duct



- Model 641**
- Aluminum natural finish
 - Built-in backdraft damper & birdscreen
 - For 6" round duct



- Model 642**
- Aluminum natural finish
 - Built-in backdraft damper
 - For 3" or 4" round duct (4" to 3" transition included)



- Model 643**
- Aluminum natural finish
 - Built-in backdraft damper
 - For 8" round duct

| | |
|-----------------|------------------|
| Project: _____ | Submitted: _____ |
| Customer: _____ | Approved: _____ |
| Location: _____ | |

Subject to change unless approved in submittal by Soler & Palau

