



MODEL 6002 and 6002-14B Gas Detector

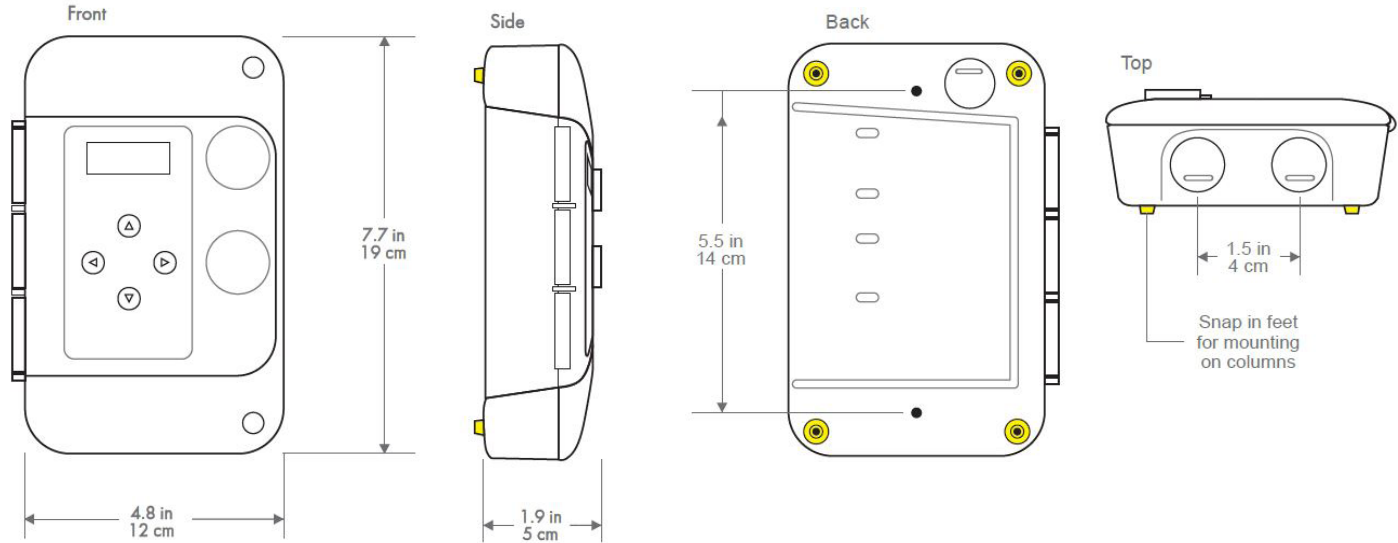
FEATURES

- Stand-alone operation with 1 or 2 adjustable alarm relays, indicators and strobe
- BTL listed Smart Sensor
- BACnet MS/TP RS485 interface
- CAN network interface for master-slave operation or central control
- Pre-calibrated plug-and-play sensor modules
- Impact resistant water resistant enclosure

APPLICATIONS

- Vehicle Emissions
- Combustible Gases
- Refrigeration Gas Leak Detection
- Industrial Health and Safety

DIMENSIONS



SPECIFICATIONS

- Supply 24 vac 50/60 hz (17-28 vac) 0.21 amps, 5 va
- Operating temperature -20 °C to 50 °C (-4 °F to 122 °F)
- Operating humidity 15-90% RH, non-condensing
- For indoor use
- Flame resistant Polycarbonate ABS enclosure rated UL94, V0, 5VB, and 5VA
- Relays (1 or 2) SPDT, 5 amp @ 125 vac, non-inductive On delay: 0-999 seconds (16 minutes) Off delay: 0-999 seconds (16 minutes)

- Standards: Conforms to UL61010-1, CSA C22.2 61010-1-12, ANSI/ISA 61010-1, CSA C22.2 no. 205-12
- Weight : 420 grams, 0.93 lb
- Enclosure ABS UL-94-V0, UL-94 - 5VA, NEMA 4
- Electrical conduit entries: 0.875 inch, two on top, two on bottom, one in rear
- Diffusion type sampling

USER INTERFACE

- Back lit LCD display shows gas concentration, user settings, calibration controls
- Red LED alarm indicators, level 1 and 2
- High intensity white LED strobe on level 3
- Audible alarm, 85 db at 1 meter
- 4 pushbutton user keypad
- Password control for settings

CONNECTIONS

