



ADVANCING
VENTILATION®

SMXDK, SMXDK-HT & SMXDKe



Direct Drive Mixed Flow Fans

Advancing Ventilation

MODEL SMXDK, SMXDK-HT & SMXDKe

DIRECT DRIVE MIXED FLOW FANS



MODEL FEATURES

- Rated up to 24,500 CFM in static pressure applications up to 6-1/2" w.g.
- 10 sizes ranging from 9 to 30" effective diameter wheels
- Continuously welded and epoxy coated steel housing
- For indoor/outdoor use
- AMCA Air and Sound Licensed
- cULus Listed

MODEL OVERVIEW

Model SMXDK mixed flow fans are inline ducted fans that can be used in exhaust, supply, or return air applications. Mixed flow fans act as a hybrid between axial and centrifugal fans. Meaning, they produce a lot of air such as axial fans, but they can handle higher pressures like centrifugal fans. When these technologies come together, the fan ends up being more efficient and quieter than similar tubular centrifugal fans.

S&P is taking efficiency a step further by focusing this design around efficient direct drive motors, which can be paired with AC drives or EC motors to adjust fan speed. The ability to control the speed allows the fan to hit multiple fan selection points similar to how a belt drive fan would be applied. Another couple of advantages with this is the lack of transmission losses associated with belts, and less maintenance.

Mixed flow fans work great in many applications where high efficiency and low sound are a priority. Some of those include: parking garages, commercial buildings, warehouses, food retail centers, and educational buildings.

CONSTRUCTION SPECIFICATIONS

Fan Housing

- Heavy-gauge rolled steel construction
- Integral inlet and outlet flanges with mounting holes
- Standard bolted -wheel inspection door
- Continuously welded and epoxy coated
- 2 year fan housing warranty

Mixed Flow Wheel

- Steel wheel for light and heavy duty applications
- Designed using CFD to contour blades for the quietest and most efficient performance possible

Motors

- One year motor warranty
- Brands are nationally recognized and locally serviced
- ODP & TEFC motors available
- Single phase and three phase motors available in many voltage applications
- EC motor standard on SMXDKe
- TEFC available on SMXDK-HT

Certifications

- AMCA Air and Sound Certified
- cULus 705 Listed
- cULus 793 available

OPTIONS/ACCESSORIES

ECOWATT-DRIVE (AC Drive)

- Set just 4 parameters to get your fan started
- Plug-in options for advanced control
- Dual Safe Torque Off (STO)
- Equipped with the latest energy saving features
- Up to 180% overload for high torque applications
- On board PLC
- Straightforward installation and commissioning
- Easy motor pairing and performance control
- Robust and reliable design

Disconnect Switch: Non-fused safety disconnect available for all motor sizes.

Hanging & Floor Brackets: For base or ceiling mounting. Neoprene and spring isolators are available.

Mounting Rails: Designed for vertical and horizontal mounting. Rail kits include mounting brackets.

Inlet/Outlet Guard: Prevents objects from entering the fan inlet or outlet. Includes companion flange.

Companion Flanges: Inlet and/or outlet flanges are available for duct connection.

Industry best 2 year fan housing warranty, 1 year motor warranty

SMXDK-HT



The SMXDK sizes 15-30 are available as the SMXDK-HT, and they are UL Certified to ventilate heat and smoke in emergencies [500°F (260°C) for 6 hours and 572°F (300°C) for 2 hours].

The SMXDK-HT is equipped with high temperature features such as high temperature wiring and ceramic wire nuts.

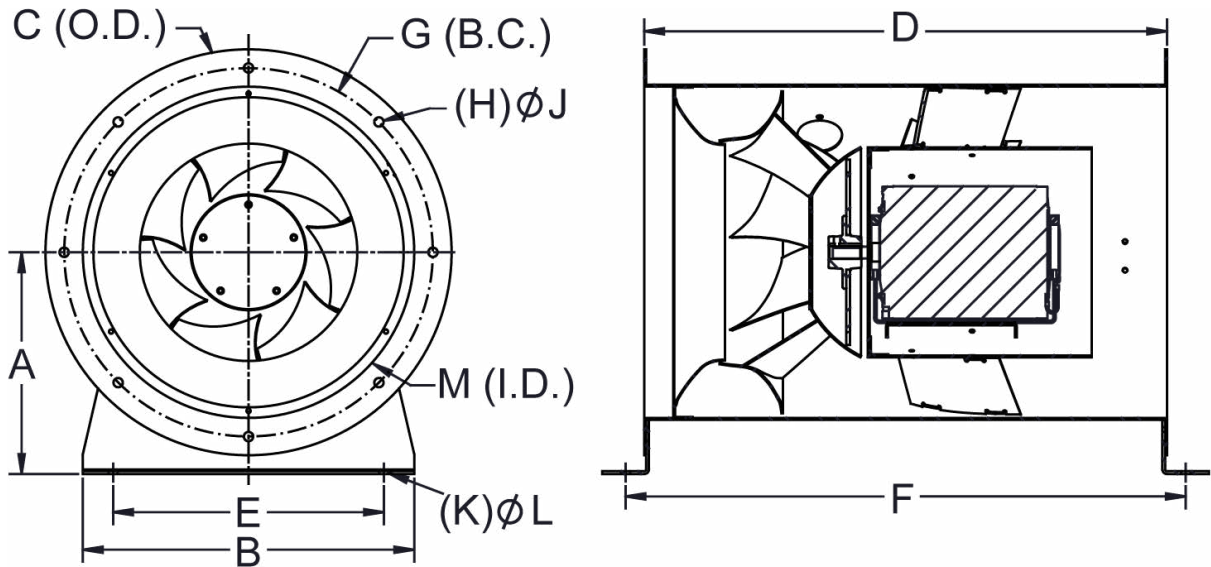
SMXDKe

The SMXDK sizes 09-16 are available as the SMXDKe. These models are equipped with an EC Motor and fulfill the requirements to be an Ecowatt® product line.



S&P's Ecowatt® products are our most energy-efficient models. They use Electronically Commutated (EC) or Direct Current (DC) motors. Ecowatt® Accessories are motor control devices and systems that reduce energy consumption.

DIMENSIONS



| Model | A | B | C | D | E | F | G | H | J | K | L | M | WEIGHT (LB) |
|-------|----------|----------|----------|----------|----------|----------|----------|----|-----|---|------|----------|-------------|
| 09 | 9- 3/8 | 14 | 17- 1/8 | 22- 1/16 | 11- 7/16 | 23- 5/8 | 15- 9/16 | 8 | 3/8 | 4 | 3/8 | 14 | 88 |
| 10 | 10- 5/16 | 15- 3/4 | 18- 7/8 | 24-13/16 | 12 | 26- 3/8 | 17- 5/16 | 12 | 3/8 | 4 | 3/8 | 15- 3/4 | 106 |
| 12 | 11- 5/16 | 17-11/16 | 20- 7/8 | 24-13/16 | 14- 3/4 | 26- 3/8 | 19- 5/16 | 12 | 3/8 | 4 | 3/8 | 17-11/16 | 121 |
| 15 | 12- 3/8 | 19-11/16 | 22-13/16 | 27-15/16 | 16- 5/16 | 29- 7/16 | 21- 1/4 | 12 | 3/8 | 4 | 9/16 | 19-11/16 | 157 |
| 16 | 13-13/16 | 22- 1/16 | 26 | 31- 1/2 | 18- 1/8 | 33 | 23-13/16 | 12 | 3/8 | 4 | 9/16 | 22- 1/16 | 203 |
| 18 | 15- 3/16 | 22-13/16 | 28- 3/4 | 35- 7/16 | 20- 7/8 | 36-15/16 | 26- 9/16 | 12 | 3/8 | 4 | 9/16 | 24-13/16 | 254 |
| 20 | 17 | 28- 3/16 | 31- 7/8 | 39- 3/8 | 24- 1/4 | 40-13/16 | 29- 3/4 | 18 | 1/2 | 4 | 5/8 | 27-15/16 | 406 |
| 22 | 18- 3/4 | 31- 1/2 | 35- 7/16 | 39- 3/8 | 24- 1/4 | 40-13/16 | 33- 1/4 | 18 | 1/2 | 4 | 5/8 | 31- 1/2 | 472 |
| 24 | 20-11/16 | 35- 7/16 | 39- 3/8 | 43- 5/16 | 31- 1/2 | 44- 3/4 | 37- 3/16 | 18 | 1/2 | 4 | 5/8 | 35- 7/16 | 575 |
| 30 | 22- 3/4 | 39- 3/8 | 43- 5/16 | 49- 3/16 | 35- 7/16 | 40-13/16 | 41- 5/16 | 24 | 1/2 | 4 | 5/8 | 39- 3/8 | 765 |

*Weight without motor

PERFORMANCE

SMXD09



| Motor HP & Nominal Speed | | CFM | OV | | Static Pressure in Inches w.g. | | | | | | | | |
|------------------------------|------|-------|-------|------|--------------------------------|------|------|------|------|------|------|------|---|
| | | | | | 0 | 1/8 | 1/4 | 3/8 | 1/2 | 5/8 | 3/4 | 7/8 | 1 |
| SMXDK09 1/4HP 1800 RPM | 350 | 329 | RPM | 414 | 646 | 861 | - | - | - | - | - | - | - |
| | | | BHP | 0.00 | 0.01 | 0.03 | - | - | - | - | - | - | - |
| | | | SONES | 0.2 | 1.9 | 3.1 | - | - | - | - | - | - | - |
| | 435 | 408 | RPM | 514 | 708 | 883 | 1055 | 1209 | - | - | - | - | - |
| | | | BHP | 0.00 | 0.01 | 0.03 | 0.05 | 0.07 | - | - | - | - | - |
| | | | SONES | 0.9 | 2.7 | 3.5 | 4.6 | 5.9 | - | - | - | - | - |
| | 520 | 488 | RPM | 615 | 783 | 930 | 1076 | 1222 | 1357 | - | - | - | - |
| | | | BHP | 0.01 | 0.02 | 0.03 | 0.05 | 0.08 | 0.10 | - | - | - | - |
| | | | SONES | 1.7 | 3.3 | 4.5 | 5.0 | 6.2 | 7.6 | - | - | - | - |
| | 605 | 568 | RPM | 715 | 864 | 993 | 1118 | 1245 | 1371 | 1491 | 1604 | 1709 | - |
| | | | BHP | 0.01 | 0.02 | 0.04 | 0.06 | 0.08 | 0.11 | 0.14 | 0.17 | 0.20 | - |
| | | | SONES | 2.5 | 4.0 | 5.2 | 5.9 | 6.6 | 7.8 | 9.2 | 10.9 | 12.5 | - |
| | 690 | 648 | RPM | 815 | 948 | 1066 | 1176 | 1286 | 1397 | 1508 | 1617 | 1720 | - |
| | | | BHP | 0.01 | 0.03 | 0.05 | 0.07 | 0.09 | 0.12 | 0.14 | 0.18 | 0.21 | - |
| | | | SONES | 3.4 | 4.7 | 5.9 | 7.0 | 7.5 | 8.2 | 9.5 | 11.0 | 12.6 | - |
| | 775 | 728 | RPM | 916 | 1036 | 1145 | 1244 | 1342 | 1440 | 1538 | 1638 | 1736 | - |
| | | | BHP | 0.02 | 0.04 | 0.06 | 0.08 | 0.10 | 0.13 | 0.16 | 0.19 | 0.22 | - |
| | | | SONES | 4.3 | 5.5 | 6.6 | 7.6 | 8.7 | 9.1 | 10.0 | 11.3 | 12.8 | - |
| | 860 | 808 | RPM | 1016 | 1125 | 1226 | 1319 | 1408 | 1496 | 1584 | 1672 | 1762 | - |
| | | | BHP | 0.03 | 0.05 | 0.07 | 0.09 | 0.11 | 0.14 | 0.17 | 0.20 | 0.23 | - |
| | | | SONES | 5.2 | 6.3 | 7.4 | 8.4 | 9.4 | 10.5 | 10.9 | 11.8 | 13.1 | - |
| | 945 | 887 | RPM | 1117 | 1217 | 1310 | 1398 | 1480 | 1561 | 1641 | 1721 | - | - |
| | | | BHP | 0.04 | 0.06 | 0.08 | 0.10 | 0.13 | 0.15 | 0.18 | 0.21 | - | - |
| | | | SONES | 6.1 | 7.1 | 8.2 | 9.2 | 10.2 | 11.3 | 12.3 | 12.7 | - | - |
| 1030 | 967 | RPM | 1217 | 1309 | 1396 | 1479 | 1557 | 1632 | 1705 | 1779 | - | - | |
| | | BHP | 0.05 | 0.07 | 0.09 | 0.12 | 0.14 | 0.17 | 0.20 | 0.23 | - | - | |
| | | SONES | 7.0 | 8.0 | 9.1 | 10.1 | 11.1 | 12.1 | 13.1 | 14.0 | - | - | |
| 1115 | 1047 | RPM | 1318 | 1403 | 1485 | 1562 | 1637 | 1707 | 1776 | - | - | - | |
| | | BHP | 0.06 | 0.09 | 0.11 | 0.14 | 0.16 | 0.19 | 0.22 | - | - | - | |
| | | SONES | 8.0 | 9.0 | 10.1 | 11.1 | 12.1 | 13.0 | 14.0 | - | - | - | |
| 1200 | 1127 | RPM | 1418 | 1498 | 1574 | 1648 | 1718 | 1786 | - | - | - | - | |
| | | BHP | 0.08 | 0.10 | 0.13 | 0.16 | 0.19 | 0.22 | - | - | - | - | |
| | | SONES | 9.1 | 10.1 | 11.1 | 12.1 | 13.1 | 14.1 | - | - | - | - | |
| 1285 | 1207 | RPM | 1519 | 1593 | 1665 | 1734 | - | - | - | - | - | - | |
| | | BHP | 0.10 | 0.12 | 0.15 | 0.18 | - | - | - | - | - | - | |
| | | SONES | 10.2 | 11.2 | 12.2 | 13.2 | - | - | - | - | - | - | |
| 1370 | 1286 | RPM | 1619 | 1689 | 1757 | - | - | - | - | - | - | - | |
| | | BHP | 0.12 | 0.15 | 0.18 | - | - | - | - | - | - | - | |
| | | SONES | 11.4 | 12.4 | 13.3 | - | - | - | - | - | - | - | |



S&P USA Ventilation Systems, LLC certifies that the SMXDK & SMXDKe shown herein is licensed to bear the AMCA seal. The ratings shown are based on tests and procedures performed in accordance with AMCA Publication 211 and AMCA Publication 311 and comply with the requirements of the AMCA Certified Ratings Program.



Performance certified is for installation type D: ducted inlet, ducted outlet. Power rating (BHP) does not include transmission losses. Performance ratings do not include the effects of appurtenances (accessories). The sound ratings shown are loudness values in hemispherical sones at 1.5 m (5 ft) in a hemispherical free field calculated per ANSI/AMCA Standard 301. Values shown are for Installation Type D: ducted inlet, ducted outlet.

SMXDK10



| Motor HP & Nominal Speed | | CFM | OV | | Static Pressure in Inches w.g. | | | | | | | | | |
|------------------------------|------|-------|-------|------|--------------------------------|------|------|------|------|------|------|------|------|-------|
| | | | | | 0 | 1/8 | 1/4 | 3/8 | 1/2 | 5/8 | 3/4 | 7/8 | 1 | 1 1/4 |
| SMXDK10 1/2HP 1800 RPM | 525 | 388 | RPM | 428 | 606 | 775 | - | - | - | - | - | - | - | - |
| | | | BHP | 0.00 | 0.02 | 0.03 | - | - | - | - | - | - | - | - |
| | | | SONES | 0.7 | 1.9 | 4.3 | - | - | - | - | - | - | - | - |
| | 644 | 476 | RPM | 525 | 671 | 814 | 950 | 1078 | - | - | - | - | - | - |
| | | | BHP | 0.01 | 0.02 | 0.04 | 0.06 | 0.09 | - | - | - | - | - | - |
| | | | SONES | 1.5 | 2.5 | 4.0 | 6.1 | 7.9 | - | - | - | - | - | - |
| | 763 | 564 | RPM | 622 | 746 | 868 | 987 | 1102 | 1212 | 1318 | - | - | - | - |
| | | | BHP | 0.01 | 0.03 | 0.05 | 0.07 | 0.10 | 0.12 | 0.16 | - | - | - | - |
| | | | SONES | 2.4 | 3.2 | 4.3 | 5.9 | 7.7 | 9.2 | 10.4 | - | - | - | - |
| | 882 | 652 | RPM | 719 | 827 | 933 | 1037 | 1140 | 1240 | 1336 | 1430 | 1521 | - | - |
| | | | BHP | 0.02 | 0.03 | 0.05 | 0.08 | 0.11 | 0.14 | 0.17 | 0.20 | 0.24 | - | - |
| | | | SONES | 3.4 | 4.0 | 4.9 | 6.2 | 7.6 | 9.0 | 10.4 | 11.6 | 12.9 | - | - |
| | 1001 | 740 | RPM | 816 | 912 | 1005 | 1098 | 1189 | 1280 | 1369 | 1455 | 1539 | 1702 | - |
| | | | BHP | 0.03 | 0.04 | 0.07 | 0.09 | 0.12 | 0.15 | 0.18 | 0.22 | 0.26 | 0.34 | - |
| | | | SONES | 4.4 | 4.9 | 5.6 | 6.8 | 7.9 | 8.9 | 10.2 | 11.3 | 12.8 | 15.5 | - |
| | 1120 | 828 | RPM | 912 | 1000 | 1082 | 1166 | 1248 | 1330 | 1411 | 1491 | 1569 | 1721 | - |
| | | | BHP | 0.04 | 0.06 | 0.08 | 0.11 | 0.14 | 0.17 | 0.20 | 0.24 | 0.28 | 0.36 | - |
| | | | SONES | 5.4 | 5.9 | 6.6 | 7.4 | 8.3 | 9.3 | 10.3 | 11.4 | 12.7 | 15.5 | - |
| | 1239 | 916 | RPM | 1009 | 1090 | 1163 | 1239 | 1314 | 1389 | 1463 | 1536 | 1609 | 1751 | - |
| | | | BHP | 0.05 | 0.07 | 0.10 | 0.12 | 0.15 | 0.19 | 0.22 | 0.26 | 0.30 | 0.38 | - |
| | | | SONES | 6.5 | 7.0 | 7.5 | 8.2 | 9.0 | 9.9 | 10.8 | 11.8 | 12.8 | 15.5 | - |
| | 1358 | 1004 | RPM | 1106 | 1181 | 1248 | 1316 | 1385 | 1454 | 1521 | 1589 | 1656 | 1789 | - |
| | | | BHP | 0.06 | 0.09 | 0.12 | 0.14 | 0.18 | 0.21 | 0.25 | 0.28 | 0.32 | 0.41 | - |
| | | | SONES | 7.6 | 8.1 | 8.6 | 9.1 | 9.9 | 10.7 | 11.5 | 12.4 | 13.6 | 15.9 | - |
| 1477 | 1092 | RPM | 1203 | 1273 | 1335 | 1397 | 1460 | 1524 | 1586 | 1649 | 1711 | - | - | |
| | | BHP | 0.08 | 0.11 | 0.14 | 0.17 | 0.20 | 0.24 | 0.27 | 0.31 | 0.35 | - | - | |
| | | SONES | 8.7 | 9.2 | 9.7 | 10.3 | 10.8 | 11.6 | 12.4 | 13.3 | 14.3 | - | - | |
| 1596 | 1180 | RPM | 1300 | 1365 | 1423 | 1480 | 1539 | 1597 | 1656 | 1714 | 1771 | - | - | |
| | | BHP | 0.10 | 0.13 | 0.16 | 0.19 | 0.23 | 0.27 | 0.30 | 0.34 | 0.39 | - | - | |
| | | SONES | 10.0 | 10.5 | 11.0 | 11.5 | 12.0 | 12.6 | 13.4 | 14.3 | 15.3 | - | - | |
| 1715 | 1268 | RPM | 1397 | 1458 | 1513 | 1566 | 1619 | 1674 | 1729 | 1783 | - | - | - | |
| | | BHP | 0.13 | 0.16 | 0.19 | 0.23 | 0.26 | 0.30 | 0.34 | 0.38 | - | - | - | |
| | | SONES | 11.3 | 11.8 | 12.3 | 12.7 | 13.2 | 13.7 | 14.5 | 15.3 | - | - | - | |
| 1834 | 1356 | RPM | 1494 | 1551 | 1604 | 1653 | 1703 | 1754 | - | - | - | - | - | |
| | | BHP | 0.16 | 0.19 | 0.23 | 0.26 | 0.30 | 0.34 | - | - | - | - | - | |
| | | SONES | 12.8 | 13.2 | 13.6 | 14.1 | 14.5 | 15.0 | - | - | - | - | - | |
| 1953 | 1443 | RPM | 1591 | 1645 | 1695 | 1742 | 1788 | - | - | - | - | - | - | |
| | | BHP | 0.19 | 0.23 | 0.26 | 0.30 | 0.34 | - | - | - | - | - | - | |
| | | SONES | 14.2 | 14.6 | 15.0 | 15.5 | 15.9 | - | - | - | - | - | - | |
| 2072 | 1531 | RPM | 1688 | 1739 | 1787 | - | - | - | - | - | - | - | - | |
| | | BHP | 0.23 | 0.27 | 0.31 | - | - | - | - | - | - | - | - | |
| | | SONES | 15.7 | 16.2 | 16.6 | - | - | - | - | - | - | - | - | |



S&P USA Ventilation Systems, LLC certifies that the SMXDK & SMXDKe shown herein is licensed to bear the AMCA seal. The ratings shown are based on tests and procedures performed in accordance with AMCA Publication 211 and AMCA Publication 311 and comply with the requirements of the AMCA Certified Ratings Program.



Performance certified is for installation type D: ducted inlet, ducted outlet. Power rating (BHP) does not include transmission losses. Performance ratings do not include the effects of appurtenances (accessories). The sound ratings shown are loudness values in hemispherical sones at 1.5 m (5 ft) in a hemispherical free field calculated per ANSI/AMCA Standard 301. Values shown are for Installation Type D: ducted inlet, ducted outlet.

SMXDK12



| Motor HP & Nominal Speed | | CFM | OV | | Static Pressure in Inches w.g. | | | | | | | | | | | |
|------------------------------|------|-------|-------|------|--------------------------------|------|------|------|------|------|------|------|------|------|----|---|
| | | | | | 0 | 1/8 | 1/4 | 3/8 | 1/2 | 5/8 | 3/4 | 7/8 | 1 | 1¼ | 1½ | |
| SMXDK12 3/4HP 1800 RPM | 600 | 350 | RPM | 341 | 518 | 682 | - | - | - | - | - | - | - | - | - | - |
| | | | BHP | 0.00 | 0.02 | 0.04 | - | - | - | - | - | - | - | - | - | - |
| | | | SONES | 0.7 | 3.5 | 8.0 | - | - | - | - | - | - | - | - | - | - |
| | 783 | 457 | RPM | 445 | 585 | 715 | 841 | 959 | - | - | - | - | - | - | - | - |
| | | | BHP | 0.01 | 0.02 | 0.05 | 0.07 | 0.10 | - | - | - | - | - | - | - | |
| | | | SONES | 1.5 | 3.8 | 6.7 | 10.3 | 12.9 | - | - | - | - | - | - | - | |
| | 966 | 564 | RPM | 548 | 666 | 772 | 877 | 981 | 1080 | 1175 | 1267 | - | - | - | - | |
| | | | BHP | 0.01 | 0.03 | 0.06 | 0.09 | 0.12 | 0.15 | 0.19 | 0.23 | - | - | - | | |
| | | | SONES | 2.8 | 4.5 | 6.5 | 9.1 | 12.1 | 14.6 | 16.6 | 18.3 | - | - | - | | |
| | 1149 | 671 | RPM | 652 | 754 | 845 | 933 | 1022 | 1110 | 1195 | 1278 | 1359 | - | - | | |
| | | | BHP | 0.02 | 0.05 | 0.07 | 0.10 | 0.14 | 0.17 | 0.21 | 0.26 | 0.30 | - | - | | |
| | | | SONES | 4.1 | 5.4 | 7.0 | 9.0 | 11.0 | 13.8 | 16.1 | 18.0 | 19.9 | - | - | | |
| | 1332 | 778 | RPM | 756 | 845 | 927 | 1003 | 1079 | 1156 | 1232 | 1307 | 1381 | 1523 | 1660 | | |
| | | | BHP | 0.04 | 0.06 | 0.09 | 0.12 | 0.16 | 0.19 | 0.24 | 0.28 | 0.33 | 0.43 | 0.54 | | |
| | | | SONES | 5.3 | 6.5 | 7.8 | 9.6 | 11.4 | 13.1 | 15.4 | 17.4 | 19.4 | 23.2 | 26.7 | | |
| | 1515 | 885 | RPM | 860 | 940 | 1013 | 1082 | 1148 | 1216 | 1283 | 1350 | 1417 | 1548 | 1675 | | |
| | | | BHP | 0.05 | 0.08 | 0.11 | 0.15 | 0.18 | 0.22 | 0.27 | 0.31 | 0.36 | 0.47 | 0.58 | | |
| | | | SONES | 6.6 | 7.8 | 9.0 | 10.5 | 12.1 | 13.6 | 15.1 | 16.9 | 19.0 | 22.9 | 26.5 | | |
| | 1698 | 992 | RPM | 964 | 1036 | 1102 | 1166 | 1226 | 1286 | 1346 | 1406 | 1466 | 1585 | 1703 | | |
| | | | BHP | 0.08 | 0.11 | 0.14 | 0.18 | 0.21 | 0.25 | 0.30 | 0.35 | 0.40 | 0.51 | 0.62 | | |
| | | | SONES | 8.0 | 9.2 | 10.4 | 11.6 | 12.9 | 14.4 | 15.8 | 17.3 | 18.7 | 22.6 | 26.3 | | |
| | 1881 | 1099 | RPM | 1068 | 1134 | 1194 | 1253 | 1309 | 1363 | 1417 | 1471 | 1525 | 1634 | 1742 | | |
| | | | BHP | 0.10 | 0.14 | 0.17 | 0.21 | 0.25 | 0.30 | 0.34 | 0.39 | 0.44 | 0.55 | 0.67 | | |
| | | | SONES | 9.7 | 10.8 | 11.9 | 13.0 | 14.0 | 15.4 | 16.7 | 18.0 | 19.4 | 22.4 | 26.1 | | |
| 2064 | 1206 | RPM | 1172 | 1232 | 1288 | 1342 | 1395 | 1446 | 1495 | 1544 | 1593 | 1692 | 1791 | | | |
| | | BHP | 0.14 | 0.18 | 0.21 | 0.25 | 0.30 | 0.34 | 0.39 | 0.44 | 0.49 | 0.60 | 0.72 | | | |
| | | SONES | 11.4 | 12.5 | 13.5 | 14.5 | 15.3 | 16.4 | 17.6 | 18.9 | 20.3 | 23.2 | 26.1 | | | |
| 2247 | 1312 | RPM | 1276 | 1331 | 1384 | 1434 | 1483 | 1531 | 1577 | 1623 | 1667 | 1758 | - | | | |
| | | BHP | 0.18 | 0.22 | 0.26 | 0.30 | 0.35 | 0.40 | 0.45 | 0.50 | 0.55 | 0.66 | - | | | |
| | | SONES | 13.2 | 14.3 | 15.2 | 16.0 | 16.9 | 17.8 | 18.7 | 20.0 | 21.4 | 24.2 | - | | | |
| 2430 | 1419 | RPM | 1380 | 1431 | 1480 | 1527 | 1573 | 1618 | 1662 | 1705 | 1747 | - | - | | | |
| | | BHP | 0.23 | 0.27 | 0.31 | 0.36 | 0.41 | 0.46 | 0.51 | 0.56 | 0.62 | - | - | | | |
| | | SONES | 15.1 | 16.0 | 16.8 | 17.7 | 18.5 | 19.3 | 20.2 | 21.4 | 22.7 | - | - | | | |
| 2613 | 1526 | RPM | 1484 | 1532 | 1578 | 1622 | 1665 | 1707 | 1749 | 1790 | - | - | - | | | |
| | | BHP | 0.28 | 0.33 | 0.37 | 0.42 | 0.47 | 0.53 | 0.58 | 0.64 | - | - | - | | | |
| | | SONES | 16.9 | 17.8 | 18.6 | 19.4 | 20.2 | 21.0 | 22.1 | 23.1 | - | - | - | | | |
| 2796 | 1633 | RPM | 1587 | 1633 | 1676 | 1718 | 1758 | 1798 | - | - | - | - | - | | | |
| | | BHP | 0.34 | 0.39 | 0.44 | 0.50 | 0.55 | 0.60 | - | - | - | - | - | | | |
| | | SONES | 18.8 | 19.7 | 20.5 | 21.3 | 22.1 | 23.1 | - | - | - | - | - | | | |
| 2979 | 1740 | RPM | 1691 | 1734 | 1775 | - | - | - | - | - | - | - | - | | | |
| | | BHP | 0.42 | 0.47 | 0.52 | - | - | - | - | - | - | - | - | | | |
| | | SONES | 20.9 | 21.7 | 22.5 | - | - | - | - | - | - | - | - | | | |
| 2980 | 1741 | RPM | 1692 | 1734 | 1776 | - | - | - | - | - | - | - | - | | | |
| | | BHP | 0.42 | 0.47 | 0.52 | - | - | - | - | - | - | - | - | | | |
| | | SONES | 20.9 | 21.7 | 22.5 | - | - | - | - | - | - | - | - | | | |



S&P USA Ventilation Systems, LLC certifies that the SMXDK & SMXDKe shown herein is licensed to bear the AMCA seal. The ratings shown are based on tests and procedures performed in accordance with AMCA Publication 211 and AMCA Publication 311 and comply with the requirements of the AMCA Certified Ratings Program.



Performance certified is for installation type D: ducted inlet, ducted outlet. Power rating (BHP) does not include transmission losses. Performance ratings do not include the effects of appurtenances (accessories). The sound ratings shown are loudness values in hemispherical sones at 1.5 m (5 ft) in a hemispherical free field calculated per ANSI/AMCA Standard 301. Values shown are for Installation Type D: ducted inlet, ducted outlet.

SMXDK15



| Motor HP & Nominal Speed | CFM | OV | | Static Pressure in Inches w.g. | | | | | | | | | | | | |
|------------------------------|------|-------|-------|--------------------------------|------|------|------|------|------|------|------|------|------|------|------|---|
| | | | | 0 | 1/8 | 1/4 | 3/8 | 1/2 | 5/8 | 3/4 | 7/8 | 1 | 1¼ | 1½ | 1¾ | |
| SMXDK15 1/2HP 1200 RPM | 1000 | 473 | RPM | 419 | 534 | 647 | 756 | 867 | - | - | - | - | - | - | - | - |
| | | | BHP | 0.01 | 0.03 | 0.06 | 0.09 | 0.13 | - | - | - | - | - | - | - | - |
| | | | SONES | 2.8 | 2.1 | 3.1 | 4.3 | 5.5 | - | - | - | - | - | - | - | - |
| | 1245 | 589 | RPM | 522 | 617 | 705 | 796 | 883 | 973 | 1062 | 1146 | - | - | - | - | |
| | | | BHP | 0.02 | 0.04 | 0.07 | 0.11 | 0.15 | 0.19 | 0.24 | 0.30 | - | - | - | - | |
| | | | SONES | 4.1 | 3.1 | 3.9 | 4.8 | 5.8 | 7.2 | 8.7 | 9.8 | - | - | - | - | |
| | 1490 | 705 | RPM | 624 | 706 | 780 | 854 | 931 | 1004 | 1076 | 1152 | 1227 | 1369 | - | - | |
| | | | BHP | 0.04 | 0.06 | 0.09 | 0.13 | 0.17 | 0.22 | 0.27 | 0.32 | 0.38 | 0.51 | - | - | |
| | | | SONES | 5.4 | 4.4 | 4.8 | 5.6 | 6.5 | 7.7 | 8.9 | 9.9 | 10.9 | 13.4 | - | - | |
| | 1735 | 821 | RPM | 727 | 799 | 864 | 927 | 990 | 1056 | 1121 | 1183 | 1245 | 1375 | 1502 | 1620 | |
| | | | BHP | 0.06 | 0.09 | 0.12 | 0.16 | 0.20 | 0.25 | 0.31 | 0.36 | 0.42 | 0.55 | 0.69 | 0.83 | |
| | | | SONES | 6.9 | 5.8 | 5.9 | 6.6 | 7.6 | 8.7 | 9.5 | 10.3 | 11.2 | 13.5 | 15.9 | 18.3 | |
| | 1980 | 937 | RPM | 830 | 893 | 952 | 1008 | 1063 | 1118 | 1175 | 1234 | 1289 | 1398 | 1511 | 1624 | |
| | | | BHP | 0.08 | 0.12 | 0.16 | 0.20 | 0.24 | 0.29 | 0.35 | 0.41 | 0.47 | 0.59 | 0.74 | 0.89 | |
| | | | SONES | 8.4 | 7.5 | 7.5 | 8.0 | 8.9 | 9.6 | 10.3 | 11.1 | 12.0 | 13.9 | 16.1 | 18.4 | |
| | 2225 | 1053 | RPM | 932 | 990 | 1042 | 1093 | 1143 | 1192 | 1240 | 1291 | 1343 | 1444 | 1541 | 1639 | |
| | | | BHP | 0.12 | 0.16 | 0.20 | 0.24 | 0.29 | 0.34 | 0.39 | 0.45 | 0.52 | 0.66 | 0.80 | 0.95 | |
| | | | SONES | 10.0 | 9.2 | 9.3 | 9.6 | 10.0 | 10.6 | 11.3 | 12.1 | 13.0 | 14.8 | 16.7 | 18.8 | |
| 2470 | 1169 | RPM | 1035 | 1087 | 1136 | 1182 | 1227 | 1272 | 1316 | 1360 | 1404 | 1497 | 1589 | 1676 | | |
| | | BHP | 0.16 | 0.20 | 0.25 | 0.30 | 0.35 | 0.40 | 0.45 | 0.51 | 0.58 | 0.72 | 0.87 | 1.03 | | |
| | | SONES | 11.8 | 11.0 | 11.0 | 11.1 | 11.3 | 11.8 | 12.6 | 13.4 | 14.2 | 16.0 | 17.7 | 19.6 | | |
| 2715 | 1285 | RPM | 1138 | 1186 | 1230 | 1273 | 1315 | 1356 | 1396 | 1436 | 1476 | 1557 | 1642 | 1726 | | |
| | | BHP | 0.22 | 0.26 | 0.31 | 0.36 | 0.41 | 0.47 | 0.53 | 0.59 | 0.65 | 0.79 | 0.95 | 1.12 | | |
| | | SONES | 13.5 | 12.8 | 12.6 | 12.8 | 13.1 | 13.4 | 14.1 | 14.8 | 15.6 | 17.2 | 18.9 | 20.7 | | |
| 2960 | 1401 | RPM | 1240 | 1284 | 1326 | 1366 | 1405 | 1443 | 1480 | 1517 | 1554 | 1627 | 1702 | - | | |
| | | BHP | 0.28 | 0.33 | 0.38 | 0.44 | 0.49 | 0.55 | 0.61 | 0.67 | 0.74 | 0.88 | 1.04 | - | | |
| | | SONES | 15.2 | 14.6 | 14.6 | 14.8 | 15.1 | 15.4 | 15.8 | 16.4 | 17.1 | 18.6 | 20.3 | - | | |
| 3205 | 1517 | RPM | 1343 | 1384 | 1423 | 1460 | 1496 | 1532 | 1567 | 1602 | 1636 | 1704 | - | - | | |
| | | BHP | 0.36 | 0.41 | 0.47 | 0.52 | 0.58 | 0.64 | 0.71 | 0.77 | 0.84 | 0.99 | - | - | | |
| | | SONES | 17.2 | 16.7 | 16.7 | 16.9 | 17.2 | 17.5 | 17.8 | 18.1 | 18.6 | 20.2 | - | - | | |
| 3450 | 1633 | RPM | 1446 | 1484 | 1520 | 1556 | 1590 | 1623 | 1656 | 1688 | 1720 | 1784 | - | - | | |
| | | BHP | 0.44 | 0.50 | 0.56 | 0.62 | 0.68 | 0.75 | 0.82 | 0.88 | 0.96 | 1.10 | - | - | | |
| | | SONES | 19.2 | 18.8 | 18.8 | 19.0 | 19.2 | 19.5 | 19.8 | 20.2 | 20.6 | 22.1 | - | - | | |
| 3695 | 1749 | RPM | 1548 | 1584 | 1619 | 1652 | 1684 | 1715 | 1746 | 1777 | - | - | - | - | | |
| | | BHP | 0.54 | 0.61 | 0.67 | 0.74 | 0.80 | 0.87 | 0.94 | 1.01 | - | - | - | - | | |
| 3940 | 1865 | RPM | 1651 | 1685 | 1717 | 1749 | 1779 | - | - | - | - | - | - | - | | |
| | | BHP | 0.66 | 0.73 | 0.79 | 0.86 | 0.93 | - | - | - | - | - | - | - | | |
| 4185 | 1981 | RPM | 1754 | 1785 | - | - | - | - | - | - | - | - | - | - | | |
| | | BHP | 0.79 | 0.86 | - | - | - | - | - | - | - | - | - | - | | |
| | | SONES | 23.4 | 23.2 | 23.1 | 23.3 | 23.6 | - | - | - | - | - | - | - | | |

AMCA
WORLDWIDE
CERTIFIED
RATINGS
SOUND
PERFORMANCE
S&P USA VENTILATION SYSTEMS, LLC
S&P USA VENTILATION SYSTEMS, LLC certifies that the SMXDK & SMXDKe shown herein is licensed to bear the AMCA seal. The ratings shown are based on tests and procedures performed in accordance with AMCA Publication 211 and AMCA Publication 311 and comply with the requirements of the AMCA Certified Ratings Program.



Performance certified is for installation type D: ducted inlet, ducted outlet. Power rating (BHP) does not include transmission losses. Performance ratings do not include the effects of appurtenances (accessories). The sound ratings shown are loudness values in hemispherical sones at 1.5 m (5 ft) in a hemispherical free field calculated per ANSI/AMCA Standard 301. Values shown are for Installation Type D: ducted inlet, ducted outlet.

SMXDK16



| Motor HP & Nominal Speed | CFM | OV | | Static Pressure in Inches w.g. | | | | | | | | | | |
|------------------------------|------|-------|-------|--------------------------------|------|------|------|-------|-------|-------|------|-------|-------|---|
| | | | | 0 | 1/4 | 3/4 | 1 | 1 1/4 | 1 1/2 | 1 3/4 | 2 | 2 1/4 | 2 1/2 | |
| SMXDK16 3/4HP 1200 RPM | 1500 | 566 | RPM | 429 | 609 | 937 | - | - | - | - | - | - | - | - |
| | | | BHP | 0.02 | 0.09 | 0.29 | - | - | - | - | - | - | - | - |
| | | | SONES | 2.9 | 5.9 | 11.5 | - | - | - | - | - | - | - | - |
| | 1844 | 696 | RPM | 528 | 674 | 956 | 1085 | - | - | - | - | - | - | - |
| | | | BHP | 0.04 | 0.11 | 0.33 | 0.47 | - | - | - | - | - | - | - |
| | | | SONES | 4.2 | 7.0 | 11.8 | 14.1 | - | - | - | - | - | - | - |
| | 2188 | 825 | RPM | 626 | 751 | 995 | 1109 | 1220 | 1326 | - | - | - | - | - |
| | | | BHP | 0.06 | 0.14 | 0.38 | 0.53 | 0.68 | 0.84 | - | - | - | - | - |
| | | | SONES | 5.6 | 8.3 | 12.3 | 14.6 | 16.8 | 18.8 | - | - | - | - | - |
| | 2532 | 955 | RPM | 725 | 836 | 1045 | 1149 | 1249 | 1346 | 1440 | 1532 | - | - | - |
| | | | BHP | 0.09 | 0.19 | 0.44 | 0.59 | 0.75 | 0.93 | 1.11 | 1.30 | - | - | - |
| | | | SONES | 7.1 | 9.6 | 13.3 | 15.3 | 17.4 | 19.3 | 21.2 | 23.1 | - | - | - |
| | 2876 | 1085 | RPM | 823 | 922 | 1104 | 1199 | 1291 | 1380 | 1466 | 1550 | 1633 | 1714 | - |
| | | | BHP | 0.14 | 0.24 | 0.50 | 0.67 | 0.84 | 1.02 | 1.21 | 1.41 | 1.62 | 1.84 | - |
| | | | SONES | 8.7 | 10.7 | 14.6 | 16.4 | 18.2 | 20.0 | 21.8 | 23.6 | 25.4 | 27.2 | - |
| | 3220 | 1215 | RPM | 922 | 1011 | 1173 | 1257 | 1341 | 1424 | 1504 | 1582 | 1658 | 1734 | - |
| | | | BHP | 0.19 | 0.31 | 0.58 | 0.75 | 0.93 | 1.13 | 1.33 | 1.53 | 1.75 | 1.97 | - |
| | | | SONES | 10.4 | 12.5 | 16.2 | 17.7 | 19.3 | 21.0 | 22.7 | 24.4 | 26.0 | 27.7 | - |
| | 3564 | 1344 | RPM | 1020 | 1100 | 1248 | 1322 | 1398 | 1475 | 1550 | 1623 | 1694 | 1765 | - |
| | | | BHP | 0.26 | 0.39 | 0.67 | 0.84 | 1.03 | 1.24 | 1.45 | 1.67 | 1.89 | 2.13 | - |
| | | | SONES | 12.0 | 14.1 | 18.0 | 19.3 | 20.7 | 22.3 | 23.9 | 25.4 | 27.0 | 28.6 | - |
| | 3908 | 1474 | RPM | 1119 | 1192 | 1329 | 1395 | 1463 | 1533 | 1603 | 1672 | 1739 | - | - |
| | | | BHP | 0.34 | 0.48 | 0.79 | 0.96 | 1.15 | 1.36 | 1.58 | 1.81 | 2.05 | - | - |
| | | | SONES | 14.2 | 15.9 | 19.5 | 21.1 | 22.4 | 23.7 | 25.2 | 26.8 | 28.3 | - | - |
| 4252 | 1604 | RPM | 1217 | 1284 | 1414 | 1473 | 1534 | 1597 | 1661 | 1725 | 1789 | - | - | |
| | | BHP | 0.44 | 0.59 | 0.92 | 1.10 | 1.29 | 1.50 | 1.73 | 1.97 | 2.22 | - | - | |
| | | SONES | 16.2 | 17.8 | 21.3 | 22.9 | 24.2 | 25.5 | 26.8 | 28.2 | 30.1 | - | - | |
| 4596 | 1734 | RPM | 1316 | 1377 | 1500 | 1555 | 1610 | 1667 | 1726 | 1785 | - | - | - | |
| | | BHP | 0.56 | 0.71 | 1.07 | 1.26 | 1.45 | 1.66 | 1.89 | 2.14 | - | - | - | |
| | | SONES | 18.3 | 19.6 | 23.0 | 24.6 | 26.2 | 27.3 | 28.6 | 29.9 | - | - | - | |
| 4940 | 1863 | RPM | 1414 | 1472 | 1587 | 1640 | 1691 | 1742 | 1796 | - | - | - | - | |
| | | BHP | 0.69 | 0.86 | 1.24 | 1.44 | 1.64 | 1.85 | 2.08 | - | - | - | - | |
| | | SONES | 20.3 | 21.6 | 24.9 | 26.4 | 28.0 | 29.4 | 30.6 | - | - | - | - | |
| 5284 | 1993 | RPM | 1512 | 1566 | 1675 | 1726 | 1774 | - | - | - | - | - | - | |
| | | BHP | 0.85 | 1.02 | 1.43 | 1.64 | 1.85 | - | - | - | - | - | - | |
| | | SONES | 22.6 | 23.7 | 26.8 | 28.4 | 29.9 | - | - | - | - | - | - | |
| 5628 | 2123 | RPM | 1611 | 1661 | 1763 | - | - | - | - | - | - | - | - | |
| | | BHP | 1.02 | 1.21 | 1.63 | - | - | - | - | - | - | - | - | |
| | | SONES | 24.8 | 25.9 | 28.8 | - | - | - | - | - | - | - | - | |
| 5972 | 2253 | RPM | 1709 | 1757 | - | - | - | - | - | - | - | - | - | |
| | | BHP | 1.22 | 1.42 | - | - | - | - | - | - | - | - | - | |
| | | SONES | 27.1 | 28.2 | - | - | - | - | - | - | - | - | - | |

SMXDKe16
2HP
1800 RPM



S&P USA Ventilation Systems, LLC certifies that the SMXDK & SMXDKe shown herein is licensed to bear the AMCA seal. The ratings shown are based on tests and procedures performed in accordance with AMCA Publication 211 and AMCA Publication 311 and comply with the requirements of the AMCA Certified Ratings Program.



Performance certified is for installation type D: ducted inlet, ducted outlet. Power rating (BHP) does not include transmission losses. Performance ratings do not include the effects of appurtenances (accessories). The sound ratings shown are loudness values in hemispherical sones at 1.5 m (5 ft) in a hemispherical free field calculated per ANSI/AMCA Standard 301. Values shown are for Installation Type D: ducted inlet, ducted outlet.

SMXDK18

| Motor HP & Nominal Speed | CFM | OV | | Static Pressure in Inches w.g. | | | | | | | | | | | | | | | | |
|-----------------------------|------|-------|-------|--------------------------------|------|------|------|------|-------|-------|-------|------|-------|-------|-------|------|-------|---|---|---|
| | | | | 0 | 1/4 | 1/2 | 3/4 | 1 | 1 1/4 | 1 1/2 | 1 3/4 | 2 | 2 1/4 | 2 1/2 | 2 3/4 | 3 | 3 1/4 | | | |
| SMXDK 18 1HP 1200 RPM | 1600 | 477 | RPM | 329 | 510 | 676 | - | - | - | - | - | - | - | - | - | - | - | - | | |
| | | | BHP | 0.01 | 0.09 | 0.20 | - | - | - | - | - | - | - | - | - | - | - | - | - | |
| | | | SONES | 1.4 | 6.6 | 9.2 | - | - | - | - | - | - | - | - | - | - | - | - | - | - |
| | 2122 | 632 | RPM | 436 | 578 | 708 | 835 | 954 | - | - | - | - | - | - | - | - | - | - | - | |
| | | | BHP | 0.03 | 0.12 | 0.24 | 0.39 | 0.55 | - | - | - | - | - | - | - | - | - | - | - | - |
| | | | SONES | 3.1 | 9.2 | 10.3 | 12.6 | 15.2 | - | - | - | - | - | - | - | - | - | - | - | - |
| | 2644 | 788 | RPM | 543 | 661 | 767 | 871 | 975 | 1074 | 1169 | - | - | - | - | - | - | - | - | - | |
| | | | BHP | 0.07 | 0.17 | 0.30 | 0.45 | 0.63 | 0.82 | 1.03 | - | - | - | - | - | - | - | - | - | - |
| | | | SONES | 4.8 | 12.6 | 12.0 | 13.6 | 15.7 | 17.7 | 20.0 | - | - | - | - | - | - | - | - | - | - |
| | 3166 | 944 | RPM | 650 | 752 | 842 | 930 | 1017 | 1104 | 1189 | 1272 | 1352 | 1431 | - | - | - | - | - | - | |
| | | | BHP | 0.12 | 0.24 | 0.38 | 0.54 | 0.71 | 0.92 | 1.13 | 1.36 | 1.61 | 1.87 | - | - | - | - | - | - | - |
| | | | SONES | 6.6 | 12.4 | 15.1 | 15.4 | 16.9 | 18.7 | 20.6 | 22.4 | 24.4 | 26.4 | - | - | - | - | - | - | - |
| | 3688 | 1099 | RPM | 758 | 846 | 926 | 1003 | 1078 | 1152 | 1228 | 1302 | 1375 | 1447 | 1516 | 1585 | 1653 | 1719 | - | - | |
| | | | BHP | 0.18 | 0.33 | 0.48 | 0.65 | 0.83 | 1.04 | 1.26 | 1.51 | 1.76 | 2.02 | 2.30 | 2.58 | 2.89 | 3.20 | - | - | |
| | | | SONES | 8.6 | 12.9 | 18.5 | 18.4 | 18.9 | 20.1 | 21.7 | 23.4 | 25.2 | 26.9 | 28.6 | 30.4 | 32.2 | 34.2 | - | - | |
| | 4210 | 1255 | RPM | 865 | 944 | 1015 | 1084 | 1152 | 1217 | 1281 | 1347 | 1413 | 1479 | 1543 | 1606 | 1668 | 1729 | - | - | |
| | | | BHP | 0.27 | 0.44 | 0.60 | 0.78 | 0.98 | 1.19 | 1.42 | 1.66 | 1.93 | 2.20 | 2.49 | 2.79 | 3.09 | 3.41 | - | - | |
| | | | SONES | 11.0 | 14.3 | 19.2 | 21.6 | 21.9 | 22.4 | 23.3 | 24.8 | 26.3 | 27.9 | 29.5 | 31.1 | 32.8 | 34.6 | - | - | |
| | 4732 | 1410 | RPM | 972 | 1043 | 1109 | 1170 | 1231 | 1291 | 1350 | 1407 | 1465 | 1523 | 1582 | 1641 | 1698 | 1755 | - | - | |
| | | | BHP | 0.39 | 0.57 | 0.76 | 0.95 | 1.16 | 1.38 | 1.61 | 1.86 | 2.12 | 2.41 | 2.70 | 3.01 | 3.33 | 3.66 | - | - | |
| | | | SONES | 13.7 | 16.0 | 20.1 | 24.5 | 25.1 | 25.4 | 26.0 | 26.8 | 28.0 | 29.4 | 30.8 | 32.3 | 33.9 | 35.6 | - | - | |
| | 5254 | 1566 | RPM | 1079 | 1144 | 1204 | 1261 | 1315 | 1370 | 1425 | 1478 | 1530 | 1581 | 1633 | 1686 | 1739 | 1792 | - | - | |
| | | | BHP | 0.53 | 0.73 | 0.94 | 1.15 | 1.36 | 1.60 | 1.85 | 2.11 | 2.37 | 2.65 | 2.95 | 3.26 | 3.59 | 3.93 | - | - | |
| | | | SONES | 16.1 | 18.3 | 21.5 | 25.2 | 28.7 | 28.8 | 29.2 | 29.8 | 30.5 | 31.3 | 32.6 | 34.0 | 35.5 | 37.0 | - | - | |
| 5776 | 1722 | RPM | 1186 | 1245 | 1301 | 1354 | 1405 | 1454 | 1504 | 1554 | 1603 | 1650 | 1697 | 1744 | 1792 | - | - | | | |
| | | BHP | 0.71 | 0.93 | 1.15 | 1.38 | 1.61 | 1.85 | 2.11 | 2.38 | 2.67 | 2.95 | 3.25 | 3.56 | 3.89 | - | - | | | |
| | | SONES | 18.8 | 20.8 | 23.3 | 26.5 | 30.0 | 32.3 | 32.6 | 33.1 | 33.7 | 34.4 | 35.2 | 36.2 | 37.5 | - | - | | | |
| 6298 | 1877 | RPM | 1294 | 1348 | 1400 | 1450 | 1497 | 1543 | 1588 | 1634 | 1680 | 1725 | 1769 | - | - | - | | | | |
| | | BHP | 0.91 | 1.16 | 1.40 | 1.65 | 1.90 | 2.15 | 2.42 | 2.70 | 2.99 | 3.30 | 3.61 | - | - | - | | | | |
| | | SONES | 21.6 | 23.5 | 25.3 | 28.2 | 31.3 | 34.4 | 36.2 | 36.5 | 37.0 | 37.7 | 38.4 | - | - | - | | | | |
| 6820 | 2033 | RPM | 1401 | 1451 | 1499 | 1546 | 1591 | 1634 | 1677 | 1718 | 1761 | - | - | - | - | - | | | | |
| | | BHP | 1.16 | 1.42 | 1.68 | 1.95 | 2.22 | 2.49 | 2.77 | 3.06 | 3.36 | - | - | - | - | - | | | | |
| | | SONES | 24.6 | 26.2 | 27.8 | 30.2 | 33.0 | 35.8 | 38.6 | 40.2 | 40.6 | - | - | - | - | - | | | | |
| 7342 | 2188 | RPM | 1508 | 1555 | 1600 | 1644 | 1687 | 1728 | 1767 | - | - | - | - | - | - | | | | | |
| | | BHP | 1.45 | 1.73 | 2.01 | 2.30 | 2.58 | 2.88 | 3.17 | - | - | - | - | - | - | | | | | |
| | | SONES | 27.6 | 29.2 | 30.7 | 32.5 | 35.1 | 37.7 | 40.3 | - | - | - | - | - | - | | | | | |
| 7864 | 2344 | RPM | 1615 | 1659 | 1702 | 1743 | 1783 | - | - | - | - | - | - | - | - | | | | | |
| | | BHP | 1.78 | 2.08 | 2.38 | 2.69 | 2.99 | - | - | - | - | - | - | - | - | | | | | |
| | | SONES | 30.8 | 32.4 | 34.1 | 35.8 | 37.6 | - | - | - | - | - | - | - | - | | | | | |
| 8386 | 2500 | RPM | 1723 | 1764 | - | - | - | - | - | - | - | - | - | - | - | | | | | |
| | | BHP | 2.16 | 2.48 | - | - | - | - | - | - | - | - | - | - | - | | | | | |
| | | SONES | 34.6 | 36.3 | - | - | - | - | - | - | - | - | - | - | - | | | | | |

AMCA
CERTIFIED
RATINGS

SOUND
IN
PERFORMANCE

S&P USA Ventilation Systems, LLC certifies that the SMXDK & SMXDKe shown herein is licensed to bear the AMCA seal. The ratings shown are based on tests and procedures performed in accordance with AMCA Publication 211 and AMCA Publication 311 and comply with the requirements of the AMCA Certified Ratings Program.



Performance certified is for installation type D: ducted inlet, ducted outlet. Power rating (BHP) does not include transmission losses. Performance ratings do not include the effects of appurtenances (accessories). The sound ratings shown are loudness values in hemispherical sones at 1.5 m (5 ft) in a hemispherical free field calculated per ANSI/AMCA Standard 301. Values shown are for Installation Type D: ducted inlet, ducted outlet.

SMXDK20



| Motor HP & Nominal Speed | CFM | OV | | Static Pressure in Inches w.g. | | | | | | | | | | | | |
|--------------------------------|-------|-------|-------|--------------------------------|------|------|------|------|-------|-------|-------|-------|-------|-------|-------|---|
| | | | | 0 | 1/4 | 1/2 | 3/4 | 1 | 1 1/4 | 1 3/4 | 2 1/4 | 2 3/4 | 3 1/4 | 3 3/4 | 4 1/4 | |
| SMXDK20 2HP 1200 RPM | 2200 | 516 | RPM | 299 | 462 | 603 | - | - | - | - | - | - | - | - | - | - |
| | | | BHP | 0.02 | 0.12 | 0.27 | - | - | - | - | - | - | - | - | - | - |
| | | | SONES | 1.7 | 4.4 | 7.3 | - | - | - | - | - | - | - | - | - | - |
| | 2991 | 702 | RPM | 407 | 530 | 646 | 752 | 849 | 944 | - | - | - | - | - | - | - |
| | | | BHP | 0.05 | 0.17 | 0.34 | 0.54 | 0.76 | 1.00 | - | - | - | - | - | - | - |
| | | | SONES | 3.8 | 5.7 | 8.0 | 10.8 | 13.9 | 16.5 | - | - | - | - | - | - | - |
| | 3782 | 887 | RPM | 515 | 616 | 707 | 798 | 886 | 967 | 1119 | - | - | - | - | - | - |
| | | | BHP | 0.10 | 0.25 | 0.43 | 0.64 | 0.88 | 1.14 | 1.71 | - | - | - | - | - | - |
| | | | SONES | 5.8 | 7.5 | 9.5 | 12.1 | 14.8 | 17.0 | 21.5 | - | - | - | - | - | - |
| | 4573 | 1073 | RPM | 622 | 708 | 786 | 861 | 937 | 1011 | 1149 | 1276 | 1401 | - | - | - | - |
| | | | BHP | 0.18 | 0.35 | 0.55 | 0.78 | 1.03 | 1.31 | 1.92 | 2.58 | 3.30 | - | - | - | - |
| | | | SONES | 7.9 | 9.7 | 11.9 | 14.1 | 16.0 | 18.0 | 22.4 | 27.8 | 34.2 | - | - | - | - |
| | 5364 | 1259 | RPM | 730 | 805 | 872 | 937 | 1001 | 1066 | 1193 | 1312 | 1423 | 1529 | 1636 | - | |
| | | | BHP | 0.29 | 0.48 | 0.71 | 0.95 | 1.22 | 1.51 | 2.15 | 2.86 | 3.61 | 4.41 | 5.26 | - | |
| | | | SONES | 10.6 | 12.6 | 14.6 | 16.2 | 17.8 | 19.4 | 23.8 | 29.2 | 35.1 | 41.7 | 48.4 | - | |
| | 6155 | 1444 | RPM | 838 | 905 | 964 | 1022 | 1078 | 1134 | 1247 | 1357 | 1463 | 1562 | 1657 | 1749 | |
| | | | BHP | 0.44 | 0.66 | 0.90 | 1.17 | 1.45 | 1.75 | 2.43 | 3.17 | 3.97 | 4.81 | 5.69 | 6.61 | |
| | | | SONES | 13.8 | 15.5 | 17.0 | 18.5 | 20.0 | 21.7 | 25.7 | 30.9 | 36.8 | 43.1 | 49.4 | 54.6 | |
| | 6946 | 1630 | RPM | 945 | 1006 | 1060 | 1112 | 1163 | 1212 | 1311 | 1411 | 1509 | 1605 | 1696 | 1782 | |
| | | | BHP | 0.63 | 0.87 | 1.14 | 1.43 | 1.74 | 2.06 | 2.75 | 3.52 | 4.36 | 5.24 | 6.17 | 7.13 | |
| | | | SONES | 16.7 | 18.2 | 19.5 | 21.2 | 22.8 | 24.6 | 28.5 | 33.2 | 38.8 | 44.9 | 51.0 | 55.5 | |
| | 7737 | 1815 | RPM | 1053 | 1109 | 1158 | 1204 | 1251 | 1297 | 1385 | 1475 | 1564 | 1653 | 1740 | - | |
| | | | BHP | 0.87 | 1.14 | 1.43 | 1.73 | 2.06 | 2.41 | 3.14 | 3.93 | 4.79 | 5.71 | 6.68 | - | |
| | | | SONES | 19.6 | 21.1 | 22.7 | 24.1 | 25.9 | 27.8 | 31.9 | 36.4 | 41.6 | 47.0 | 52.1 | - | |
| 8528 | 2001 | RPM | 1161 | 1212 | 1258 | 1300 | 1343 | 1385 | 1467 | 1547 | 1628 | 1710 | 1790 | - | | |
| | | BHP | 1.16 | 1.46 | 1.77 | 2.10 | 2.45 | 2.82 | 3.59 | 4.41 | 5.29 | 6.24 | 7.24 | - | | |
| | | SONES | 22.9 | 24.4 | 25.9 | 27.6 | 29.5 | 31.6 | 35.8 | 40.3 | 45.1 | 49.8 | 53.5 | - | | |
| SMXDK20 7-1/2HP 1800 RPM | 9319 | 2187 | RPM | 1268 | 1315 | 1358 | 1398 | 1437 | 1476 | 1552 | 1626 | 1700 | 1774 | - | - | |
| | | | BHP | 1.51 | 1.84 | 2.17 | 2.53 | 2.89 | 3.28 | 4.11 | 4.96 | 5.87 | 6.84 | - | - | |
| | | | SONES | 26.3 | 27.8 | 29.7 | 31.6 | 33.6 | 35.6 | 40.2 | 44.7 | 49.0 | 52.4 | - | - | |
| | 10110 | 2372 | RPM | 1376 | 1420 | 1460 | 1498 | 1534 | 1569 | 1641 | 1710 | 1778 | - | - | - | |
| | | | BHP | 1.93 | 2.28 | 2.65 | 3.02 | 3.41 | 3.81 | 4.68 | 5.59 | 6.53 | - | - | - | |
| | | | SONES | 30.3 | 32.0 | 34.1 | 36.1 | 38.1 | 40.4 | 44.9 | 48.9 | 52.2 | - | - | - | |
| | 10901 | 2558 | RPM | 1484 | 1524 | 1563 | 1598 | 1632 | 1665 | 1732 | 1797 | - | - | - | - | |
| | | | BHP | 2.42 | 2.80 | 3.19 | 3.59 | 4.00 | 4.42 | 5.33 | 6.29 | - | - | - | - | |
| | | | SONES | 34.9 | 36.8 | 39.0 | 41.2 | 43.4 | 45.5 | 49.1 | 52.4 | - | - | - | - | |
| 11692 | 2743 | RPM | 1591 | 1629 | 1665 | 1700 | 1732 | 1763 | - | - | - | - | - | - | | |
| | | BHP | 2.99 | 3.39 | 3.81 | 4.23 | 4.67 | 5.11 | - | - | - | - | - | - | | |
| | | SONES | 40.0 | 42.2 | 44.5 | 46.5 | 48.2 | 49.7 | - | - | - | - | - | - | | |
| 12483 | 2929 | RPM | 1699 | 1735 | 1769 | - | - | - | - | - | - | - | - | - | | |
| | | BHP | 3.64 | 4.07 | 4.51 | - | - | - | - | - | - | - | - | - | | |
| | | SONES | 45.6 | 47.3 | 49.1 | - | - | - | - | - | - | - | - | - | | |



S&P USA Ventilation Systems, LLC certifies that the SMXDK & SMXDKe shown herein is licensed to bear the AMCA seal. The ratings shown are based on tests and procedures performed in accordance with AMCA Publication 211 and AMCA Publication 311 and comply with the requirements of the AMCA Certified Ratings Program.



Performance certified is for installation type D: ducted inlet, ducted outlet. Power rating (BHP) does not include transmission losses. Performance ratings do not include the effects of appurtenances (accessories). The sound ratings shown are loudness values in hemispherical sones at 1.5 m (5 ft) in a hemispherical free field calculated per ANSI/AMCA Standard 301. Values shown are for Installation Type D: ducted inlet, ducted outlet.

SMXDK22



| Motor HP & Nominal Speed | CFM | OV | | Static Pressure in Inches w.g. | | | | | | | | | | | |
|-----------------------------|-------|-------|-------|--------------------------------|------|------|------|------|------|------|-------|-------|-------|-------|---|
| | | | | 1/4 | 1/2 | 1 | 1½ | 2 | 2½ | 3 | 3½ | 4 | 4½ | 5 | |
| SMXDK22 5HP 1200 RPM | 2400 | 444 | RPM | 396 | - | - | - | - | - | - | - | - | - | - | - |
| | | | BHP | 0.14 | - | - | - | - | - | - | - | - | - | - | - |
| | | | SONES | 3.2 | - | - | - | - | - | - | - | - | - | - | - |
| | 3531 | 653 | RPM | 464 | 566 | 759 | - | - | - | - | - | - | - | - | - |
| | | | BHP | 0.20 | 0.40 | 0.91 | - | - | - | - | - | - | - | - | - |
| | | | SONES | 4.8 | 6.9 | 10.6 | - | - | - | - | - | - | - | - | - |
| | 4662 | 862 | RPM | 553 | 633 | 787 | 934 | - | - | - | - | - | - | - | - |
| | | | BHP | 0.30 | 0.52 | 1.06 | 1.74 | - | - | - | - | - | - | - | - |
| | | | SONES | 7.1 | 8.4 | 11.4 | 16.5 | - | - | - | - | - | - | - | - |
| | 5793 | 1071 | RPM | 651 | 717 | 843 | 967 | 1087 | 1202 | - | - | - | - | - | - |
| | | | BHP | 0.45 | 0.70 | 1.28 | 1.97 | 2.78 | 3.67 | - | - | - | - | - | - |
| | | | SONES | 9.3 | 10.4 | 13.4 | 18.0 | 23.0 | 26.3 | - | - | - | - | - | - |
| | 6924 | 1280 | RPM | 754 | 810 | 919 | 1023 | 1126 | 1228 | 1328 | 1424 | 1517 | - | - | |
| | | | BHP | 0.66 | 0.94 | 1.57 | 2.30 | 3.11 | 4.04 | 5.04 | 6.11 | 7.24 | - | - | |
| | | | SONES | 11.9 | 13.1 | 16.6 | 20.7 | 24.3 | 27.2 | 30.2 | 33.3 | 36.4 | - | - | |
| | 8055 | 1489 | RPM | 859 | 909 | 1003 | 1095 | 1184 | 1273 | 1362 | 1449 | 1535 | 1618 | 1699 | |
| | | | BHP | 0.94 | 1.24 | 1.94 | 2.71 | 3.56 | 4.49 | 5.51 | 6.62 | 7.79 | 9.01 | 10.30 | |
| | | | SONES | 15.4 | 16.9 | 20.4 | 24.0 | 26.4 | 28.9 | 31.6 | 34.3 | 37.3 | 40.9 | 44.5 | |
| | 9186 | 1698 | RPM | 966 | 1011 | 1095 | 1177 | 1257 | 1335 | 1412 | 1490 | 1568 | 1645 | 1720 | |
| | | | BHP | 1.29 | 1.63 | 2.38 | 3.21 | 4.12 | 5.08 | 6.11 | 7.23 | 8.42 | 9.68 | 11.00 | |
| | | | SONES | 19.8 | 21.4 | 24.4 | 26.7 | 29.0 | 31.3 | 33.7 | 36.1 | 39.1 | 42.4 | 45.7 | |
| | 10317 | 1907 | RPM | 1074 | 1115 | 1191 | 1265 | 1337 | 1408 | 1478 | 1547 | 1616 | 1686 | 1755 | |
| | | | BHP | 1.73 | 2.11 | 2.92 | 3.80 | 4.76 | 5.78 | 6.86 | 7.98 | 9.18 | 10.46 | 11.80 | |
| | | | SONES | 25.0 | 25.8 | 27.5 | 29.6 | 31.9 | 34.2 | 36.4 | 38.9 | 41.7 | 44.7 | 47.9 | |
| 11448 | 2116 | RPM | 1183 | 1220 | 1290 | 1358 | 1423 | 1489 | 1553 | 1616 | 1678 | 1741 | - | | |
| | | BHP | 2.27 | 2.68 | 3.55 | 4.50 | 5.51 | 6.59 | 7.72 | 8.90 | 10.12 | 11.40 | - | | |
| | | SONES | 28.5 | 29.3 | 30.9 | 32.8 | 35.0 | 37.2 | 39.9 | 42.7 | 45.3 | 48.0 | - | | |
| SMXDK22 15HP 1800 RPM | 12579 | 2325 | RPM | 1292 | 1327 | 1392 | 1454 | 1514 | 1574 | 1633 | 1692 | 1750 | - | - | |
| | | | BHP | 2.92 | 3.37 | 4.31 | 5.31 | 6.38 | 7.51 | 8.70 | 9.93 | 11.22 | - | - | |
| | | | SONES | 32.2 | 33.1 | 34.8 | 36.4 | 38.4 | 41.0 | 43.7 | 46.6 | 49.6 | - | - | |
| | 13710 | 2534 | RPM | 1402 | 1434 | 1495 | 1553 | 1609 | 1664 | 1719 | 1773 | - | - | - | |
| | | | BHP | 3.69 | 4.17 | 5.18 | 6.25 | 7.38 | 8.56 | 9.80 | 11.09 | - | - | - | |
| | | | SONES | 36.3 | 37.2 | 38.7 | 40.6 | 42.8 | 45.3 | 48.0 | 50.9 | - | - | - | |
| | 14841 | 2743 | RPM | 1512 | 1543 | 1600 | 1654 | 1706 | 1758 | - | - | - | - | - | |
| | | | BHP | 4.59 | 5.11 | 6.19 | 7.32 | 8.51 | 9.75 | - | - | - | - | - | |
| | | | SONES | 40.8 | 41.8 | 43.8 | 45.7 | 47.7 | 50.1 | - | - | - | - | - | |
| 15972 | 2952 | RPM | 1623 | 1651 | 1705 | 1756 | - | - | - | - | - | - | - | | |
| | | BHP | 5.63 | 6.19 | 7.34 | 8.54 | - | - | - | - | - | - | - | | |
| | | SONES | 46.3 | 47.3 | 49.3 | 51.3 | - | - | - | - | - | - | - | | |
| 17103 | 3161 | RPM | 1734 | 1761 | - | - | - | - | - | - | - | - | - | | |
| | | BHP | 6.82 | 7.42 | - | - | - | - | - | - | - | - | - | | |
| | | SONES | 52.2 | 53.3 | - | - | - | - | - | - | - | - | - | | |

AMCA
WORLDWIDE
CERTIFIED
RATINGS

SOUND
PERFORMANCE

AMCA
AIR
PERFORMANCE

S&P USA Ventilation Systems, LLC certifies that the SMXDK & SMXDKe shown herein is licensed to bear the AMCA seal. The ratings shown are based on tests and procedures performed in accordance with AMCA Publication 211 and AMCA Publication 311 and comply with the requirements of the AMCA Certified Ratings Program.



Performance certified is for installation type D: ducted inlet, ducted outlet. Power rating (BHP) does not include transmission losses. Performance ratings do not include the effects of appurtenances (accessories). The sound ratings shown are loudness values in hemispherical sones at 1.5 m (5 ft) in a hemispherical free field calculated per ANSI/AMCA Standard 301. Values shown are for Installation Type D: ducted inlet, ducted outlet.

SMXDK24

| Motor HP & Nominal Speed | CFM | OV | | Static Pressure in Inches w.g. | | | | | | | | | | | | | | | | |
|--------------------------------|-------|-------|-------|--------------------------------|-------|-------|-------|-------|-------|-------|-------|-------|-------|-------|-------|-------|-------|---|---|---|
| | | | | 0 | 1/2 | 1 | 1½ | 2 | 2½ | 3 | 3½ | 4 | 4½ | 5 | 5½ | 6 | 6½ | | | |
| SMXDK24 7-1/2HP 1200 RPM | 4500 | 657 | RPM | 315 | 504 | 675 | - | - | - | - | - | - | - | - | - | - | - | - | | |
| | | | BHP | 0.07 | 0.50 | 1.16 | - | - | - | - | - | - | - | - | - | - | - | - | - | |
| | | | SONES | 4.1 | 7.9 | 12.7 | - | - | - | - | - | - | - | - | - | - | - | - | - | - |
| | 6038 | 882 | RPM | 423 | 569 | 703 | 832 | - | - | - | - | - | - | - | - | - | - | - | - | |
| | | | BHP | 0.17 | 0.68 | 1.37 | 2.22 | - | - | - | - | - | - | - | - | - | - | - | - | - |
| | | | SONES | 6.8 | 9.7 | 13.7 | 18.2 | - | - | - | - | - | - | - | - | - | - | - | - | - |
| | 7576 | 1106 | RPM | 531 | 651 | 760 | 866 | 971 | 1071 | 1167 | - | - | - | - | - | - | - | - | - | |
| | | | BHP | 0.34 | 0.93 | 1.68 | 2.55 | 3.58 | 4.72 | 5.94 | - | - | - | - | - | - | - | - | - | - |
| | | | SONES | 10.3 | 12.4 | 15.6 | 19.5 | 24.1 | 29.2 | 32.9 | - | - | - | - | - | - | - | - | - | - |
| | 9114 | 1331 | RPM | 639 | 741 | 834 | 923 | 1011 | 1100 | 1186 | 1269 | 1350 | - | - | - | - | - | - | - | |
| | | | BHP | 0.58 | 1.27 | 2.09 | 3.02 | 4.06 | 5.23 | 6.51 | 7.87 | 9.32 | - | - | - | - | - | - | - | - |
| | | | SONES | 14.0 | 15.6 | 18.5 | 22.0 | 26.2 | 30.2 | 33.7 | 37.2 | 40.9 | - | - | - | - | - | - | - | - |
| | 10652 | 1555 | RPM | 746 | 836 | 917 | 995 | 1072 | 1147 | 1223 | 1298 | 1372 | 1444 | 1514 | 1583 | 1650 | - | - | - | - |
| | | | BHP | 0.93 | 1.71 | 2.61 | 3.62 | 4.71 | 5.89 | 7.19 | 8.60 | 10.09 | 11.66 | 13.30 | 15.00 | 16.77 | - | - | - | - |
| | | | SONES | 17.9 | 19.6 | 22.1 | 25.5 | 29.2 | 32.1 | 35.2 | 38.5 | 42.0 | 45.9 | 49.9 | 53.9 | 58.1 | - | - | - | - |
| | 12190 | 1780 | RPM | 854 | 934 | 1006 | 1076 | 1144 | 1211 | 1277 | 1342 | 1409 | 1474 | 1539 | 1603 | 1665 | 1727 | - | - | - |
| | | | BHP | 1.40 | 2.28 | 3.25 | 4.33 | 5.50 | 6.75 | 8.07 | 9.48 | 11.00 | 12.61 | 14.30 | 16.05 | 17.87 | 19.75 | - | - | - |
| | | | SONES | 22.3 | 24.0 | 26.5 | 29.7 | 32.1 | 34.7 | 37.5 | 40.5 | 44.0 | 47.6 | 51.3 | 55.2 | 59.1 | 63.2 | - | - | - |
| | 13728 | 2005 | RPM | 962 | 1035 | 1099 | 1162 | 1223 | 1284 | 1343 | 1402 | 1461 | 1519 | 1578 | 1636 | 1694 | 1752 | - | - | - |
| | | | BHP | 2.00 | 2.97 | 4.04 | 5.20 | 6.44 | 7.76 | 9.16 | 10.61 | 12.13 | 13.75 | 15.46 | 17.25 | 19.11 | 21.03 | - | - | - |
| | | | SONES | 27.3 | 29.3 | 31.3 | 33.3 | 35.6 | 38.0 | 40.5 | 43.6 | 46.8 | 50.1 | 53.6 | 57.2 | 61.0 | 64.8 | - | - | - |
| | 15266 | 2229 | RPM | 1070 | 1136 | 1195 | 1252 | 1308 | 1363 | 1418 | 1472 | 1525 | 1577 | 1630 | 1682 | 1735 | 1788 | - | - | - |
| | | | BHP | 2.75 | 3.83 | 4.98 | 6.21 | 7.54 | 8.93 | 10.40 | 11.93 | 13.52 | 15.16 | 16.87 | 18.66 | 20.55 | 22.50 | - | - | - |
| | | | SONES | 33.2 | 34.5 | 35.8 | 37.4 | 39.6 | 41.9 | 44.6 | 47.4 | 50.4 | 53.6 | 56.8 | 60.2 | 63.7 | 67.3 | - | - | - |
| 16804 | 2454 | RPM | 1178 | 1238 | 1293 | 1346 | 1397 | 1448 | 1498 | 1547 | 1596 | 1645 | 1693 | 1741 | 1788 | - | - | - | - | |
| | | BHP | 3.67 | 4.84 | 6.09 | 7.41 | 8.81 | 10.28 | 11.82 | 13.43 | 15.09 | 16.81 | 18.57 | 20.39 | 22.28 | - | - | - | - | |
| | | SONES | 38.3 | 39.6 | 40.9 | 42.2 | 44.3 | 46.8 | 49.4 | 52.0 | 54.8 | 57.7 | 60.9 | 64.0 | 67.4 | - | - | - | - | |
| 18342 | 2678 | RPM | 1285 | 1341 | 1393 | 1442 | 1489 | 1536 | 1582 | 1628 | 1674 | 1719 | 1763 | - | - | - | - | - | | |
| | | BHP | 4.77 | 6.05 | 7.39 | 8.79 | 10.27 | 11.82 | 13.44 | 15.12 | 16.86 | 18.65 | 20.49 | - | - | - | - | - | | |
| | | SONES | 44.4 | 45.7 | 46.8 | 48.1 | 49.8 | 52.2 | 54.7 | 57.3 | 60.0 | 62.7 | 65.6 | - | - | - | - | - | | |
| 19880 | 2903 | RPM | 1393 | 1445 | 1494 | 1539 | 1583 | 1627 | 1670 | 1713 | 1755 | 1797 | - | - | - | - | - | | | |
| | | BHP | 6.07 | 7.45 | 8.89 | 10.39 | 11.95 | 13.58 | 15.28 | 17.03 | 18.84 | 20.71 | - | - | - | - | - | | | |
| | | SONES | 50.7 | 51.8 | 53.0 | 54.3 | 56.1 | 58.1 | 60.6 | 63.1 | 65.8 | 68.5 | - | - | - | - | - | | | |
| 21418 | 3128 | RPM | 1501 | 1549 | 1595 | 1638 | 1680 | 1720 | 1761 | - | - | - | - | - | - | - | | | | |
| | | BHP | 7.59 | 9.07 | 10.61 | 12.20 | 13.85 | 15.56 | 17.33 | - | - | - | - | - | - | | | | | |
| | | SONES | 57.1 | 58.4 | 59.7 | 61.2 | 62.9 | 64.8 | 67.1 | - | - | - | - | - | | | | | | |
| 22956 | 3352 | RPM | 1609 | 1654 | 1697 | 1738 | 1777 | - | - | - | - | - | - | - | | | | | | |
| | | BHP | 9.34 | 10.93 | 12.57 | 14.25 | 15.99 | - | - | - | - | - | - | - | | | | | | |
| | | SONES | 64.1 | 65.6 | 67.0 | 68.6 | 70.5 | - | - | - | - | - | - | | | | | | | |
| 24494 | 3577 | RPM | 1717 | 1759 | 1800 | - | - | - | - | - | - | - | - | | | | | | | |
| | | BHP | 11.35 | 13.04 | 14.78 | - | - | - | - | - | - | - | - | | | | | | | |
| | | SONES | 72.4 | 73.9 | 75.4 | - | - | - | - | - | - | - | | | | | | | | |

AMCA
CERTIFIED
RATINGS

SOUND
IN
AIR
PERFORMANCE

S&P USA Ventilation Systems, LLC certifies that the SMXDK & SMXDKe shown herein is licensed to bear the AMCA seal. The ratings shown are based on tests and procedures performed in accordance with AMCA Publication 211 and AMCA Publication 311 and comply with the requirements of the AMCA Certified Ratings Program.



Performance certified is for installation type D: ducted inlet, ducted outlet. Power rating (BHP) does not include transmission losses. Performance ratings do not include the effects of appurtenances (accessories). The sound ratings shown are loudness values in hemispherical sones at 1.5 m (5 ft) in a hemispherical free field calculated per ANSI/AMCA Standard 301. Values shown are for Installation Type D: ducted inlet, ducted outlet.

SMXDK30



| Motor HP & Nominal Speed | CFM | OV | | Static Pressure in Inches w.g. | | | | | | | | | |
|-----------------------------|-------|-------|-------|--------------------------------|------|------|------|------|------|------|-------|-------|-------|
| | | | | 0 | 1/4 | 1/2 | 3/4 | 1 | 1½ | 2 | 2½ | 3 | 3½ |
| SMXDK30 10HP 1200 RPM | 5000 | 591 | RPM | 249 | 347 | 437 | 522 | - | - | - | - | - | - |
| | | | BHP | 0.06 | 0.28 | 0.57 | 0.94 | - | - | - | - | - | - |
| | | | SONES | 5.0 | 4.6 | 6.6 | 9.1 | - | - | - | - | - | - |
| | 6422 | 760 | RPM | 319 | 399 | 472 | 541 | 609 | - | - | - | - | - |
| | | | BHP | 0.13 | 0.39 | 0.71 | 1.09 | 1.53 | - | - | - | - | - |
| | | | SONES | 7.1 | 6.3 | 7.9 | 10.0 | 11.9 | - | - | - | - | - |
| | 7844 | 928 | RPM | 390 | 456 | 517 | 577 | 635 | 745 | 851 | - | - | - |
| | | | BHP | 0.23 | 0.53 | 0.89 | 1.30 | 1.75 | 2.80 | 4.01 | - | - | - |
| | | | SONES | 9.4 | 8.3 | 9.6 | 11.3 | 12.9 | 17.0 | 21.4 | - | - | - |
| | 9266 | 1096 | RPM | 461 | 517 | 571 | 621 | 672 | 770 | 863 | 954 | 1042 | - |
| | | | BHP | 0.38 | 0.72 | 1.13 | 1.56 | 2.05 | 3.13 | 4.37 | 5.76 | 7.26 | - |
| | | | SONES | 12.1 | 10.7 | 11.7 | 13.0 | 14.6 | 18.3 | 22.2 | 26.6 | 32.1 | - |
| | 10688 | 1264 | RPM | 532 | 581 | 628 | 674 | 717 | 805 | 888 | 970 | 1049 | 1127 |
| | | | BHP | 0.59 | 0.97 | 1.41 | 1.90 | 2.40 | 3.54 | 4.82 | 6.23 | 7.77 | 9.42 |
| | | | SONES | 14.8 | 13.2 | 14.1 | 15.2 | 16.7 | 20.2 | 23.6 | 27.8 | 32.7 | 36.7 |
| | 12110 | 1432 | RPM | 602 | 646 | 687 | 730 | 769 | 846 | 923 | 997 | 1069 | 1140 |
| | | | BHP | 0.85 | 1.29 | 1.75 | 2.29 | 2.84 | 4.02 | 5.36 | 6.80 | 8.37 | 10.06 |
| | | | SONES | 17.5 | 16.3 | 16.8 | 17.8 | 19.1 | 22.2 | 25.8 | 29.8 | 34.4 | 37.5 |
| | 13532 | 1601 | RPM | 673 | 713 | 750 | 787 | 825 | 894 | 963 | 1031 | 1098 | 1163 |
| | | | BHP | 1.19 | 1.67 | 2.17 | 2.74 | 3.36 | 4.59 | 5.98 | 7.49 | 9.09 | 10.79 |
| | | | SONES | 20.4 | 19.7 | 19.8 | 20.8 | 21.9 | 24.8 | 28.3 | 32.6 | 36.2 | 39.0 |
| | 14954 | 1769 | RPM | 744 | 780 | 814 | 847 | 881 | 947 | 1008 | 1072 | 1133 | - |
| | | | BHP | 1.61 | 2.14 | 2.68 | 3.27 | 3.93 | 5.28 | 6.69 | 8.26 | 9.92 | - |
| | | | SONES | 23.7 | 23.0 | 22.9 | 23.9 | 25.2 | 28.1 | 31.5 | 35.5 | 38.4 | - |
| | 16376 | 1937 | RPM | 814 | 848 | 879 | 909 | 940 | 1002 | 1059 | 1116 | 1174 | - |
| | | | BHP | 2.11 | 2.69 | 3.28 | 3.90 | 4.58 | 6.05 | 7.53 | 9.13 | 10.85 | - |
| | | | SONES | 26.9 | 26.4 | 26.5 | 27.6 | 28.7 | 31.7 | 35.2 | 37.9 | 40.6 | - |
| | 17798 | 2105 | RPM | 885 | 916 | 946 | 973 | 1001 | 1059 | 1113 | 1165 | - | - |
| | | | BHP | 2.71 | 3.34 | 3.98 | 4.64 | 5.32 | 6.89 | 8.49 | 10.13 | - | - |
| | | | SONES | 30.4 | 30.0 | 30.4 | 31.5 | 32.8 | 35.9 | 38.2 | 40.6 | - | - |
| 19220 | 2273 | RPM | 956 | 985 | 1012 | 1038 | 1064 | 1117 | 1170 | - | - | - | |
| | | BHP | 3.41 | 4.09 | 4.78 | 5.48 | 6.20 | 7.81 | 9.56 | - | - | - | |
| | | SONES | 34.1 | 33.8 | 34.9 | 36.1 | 37.3 | 39.3 | 41.5 | - | - | - | |
| 20642 | 2442 | RPM | 1027 | 1054 | 1080 | 1104 | 1128 | 1176 | - | - | - | - | |
| | | BHP | 4.23 | 4.95 | 5.69 | 6.44 | 7.20 | 8.85 | - | - | - | - | |
| | | SONES | 38.1 | 38.5 | 39.5 | 40.2 | 41.0 | 42.8 | - | - | - | - | |
| 22064 | 2610 | RPM | 1097 | 1123 | 1147 | 1171 | 1193 | - | - | - | - | - | |
| | | BHP | 5.16 | 5.94 | 6.73 | 7.52 | 8.33 | - | - | - | - | - | |
| | | SONES | 42.2 | 42.6 | 43.3 | 44.1 | 44.8 | - | - | - | - | - | |
| 23486 | 2778 | RPM | 1168 | 1192 | - | - | - | - | - | - | - | - | |
| | | BHP | 6.22 | 7.05 | - | - | - | - | - | - | - | - | |
| | | SONES | 46.4 | 46.5 | - | - | - | - | - | - | - | - | |

AMCA
CERTIFIED
RATINGS

SOUND
PERFORMANCE

AMCA
CERTIFIED
RATINGS

S&P USA Ventilation Systems, LLC certifies that the SMXDK & SMXDKe shown herein is licensed to bear the AMCA seal. The ratings shown are based on tests and procedures performed in accordance with AMCA Publication 211 and AMCA Publication 311 and comply with the requirements of the AMCA Certified Ratings Program.



Performance certified is for installation type D: ducted inlet, ducted outlet. Power rating (BHP) does not include transmission losses. Performance ratings do not include the effects of appurtenances (accessories). The sound ratings shown are loudness values in hemispherical sones at 1.5 m (5 ft) in a hemispherical free field calculated per ANSI/AMCA Standard 301. Values shown are for Installation Type D: ducted inlet, ducted outlet.