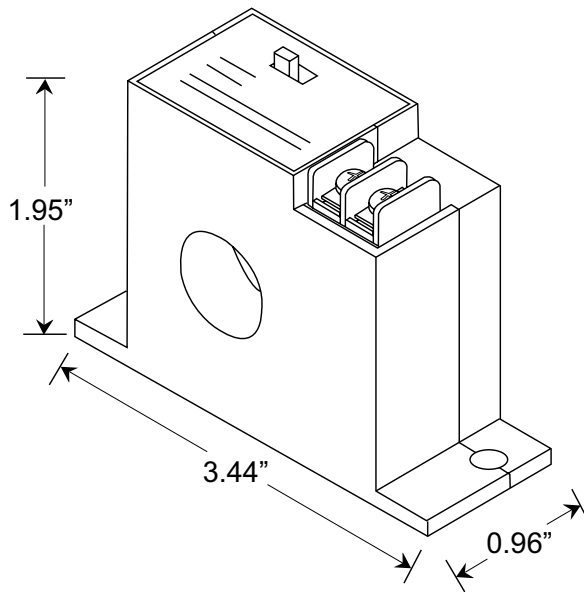


CS-325 - Current Sensor



The World's Leading Producer of
Air Movement Products
 6393 Powers Avenue
 Jacksonville, Florida 32217-2298
 P: 800.961.7370 F: 800.961.7379
 www.solerpalau-usa.com



Specifications

Operating Temperature	32 - 104 °F (0 - 40 °C)
Input Range	1.25 - 40 Amp-turns
H x W x D	2.75" x 3.5" x 1.1" (70 x 89 x 28 mm)
AC Conductor Hole	0.75" (19 mm) Diameter
Trip Set-Point	Factory preset at approximately 1.25 Amps
Operating Humidity	0 - 95% RH noncondensing
Material	Self-extinguising ABS (Cyclac 94V-0)
Switch Rating	120 Vac @ 2.5 Amps Max
Mounting Holes	2 x 0.19" holes spaced 3" on base (2 x 5 mm holes spaced 76 mm on base)
Output Type	Triac
Leakage Current	< 1mA
Manufacturing Process	ISO 9002 Certified

ACCESSORY MODEL	1	2	3	4	5	REMARKS

PROJECT: _____ CONTRACTOR: _____
 LOCATION: _____ REVISION DATE: _____
 FORM NO.: _____ SUBMITTED BY: _____ DATE: _____
 ENGINEER: _____ APPROVED BY: _____ DATE: _____

For more information contact us at www.solerpalau-usa.com or 1.800.961.7370 for additional submittal drawings.

Soler & Palau will not be responsible for fabrication changes or errors resulting from customer use of a non-current submittal drawing.