

MODEL TRC800

(Energy Recovery Ventilators (ERV))



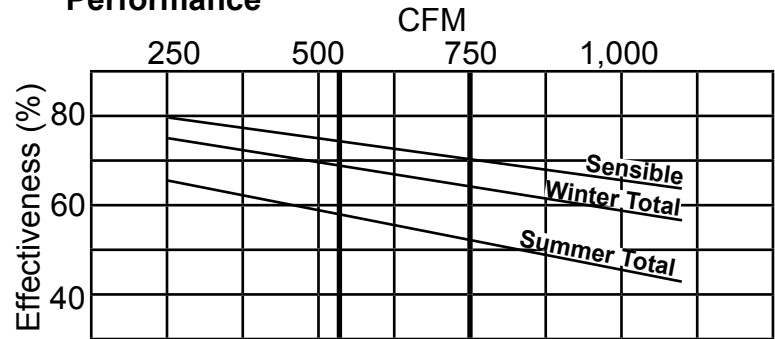
6393 Powers Avenue
Jacksonville, Florida 32217-2298
P: 800.961.7370 F: 800.961.7379
www.solerpalau-usa.com



Specifications

Ventilation Type: Static Plate, Heat and Humidity Transfer					
Typical Airflow Range: 250-925 CFM					
AHRI 1060 Certified Core: One L125-00					
Airflow Rating Points (for AHRI): 750 CFM and 563 CFM					
Number Motors: Two direct drive blower/motor packages					
V	Hz	Phase	FLA (per motor)	Min. Cir. Amps	Max. Overcurrent Protection Device
115	60	Single	9.0	20.3	25
208-230	60	Single	4.5	10.1	15
Standard Features: Non-Fused Disconnect 24 VAC Transformer/Relay Package					
Filters: Two total, MERV 8, 2" pleated, 20" x 20" nominal size					
Weight: 211 lbs (unit), 300 lbs (shipping weight, on pallet)					
Shipping Dimensions: 62" L x 48" W x 40" H					

Performance



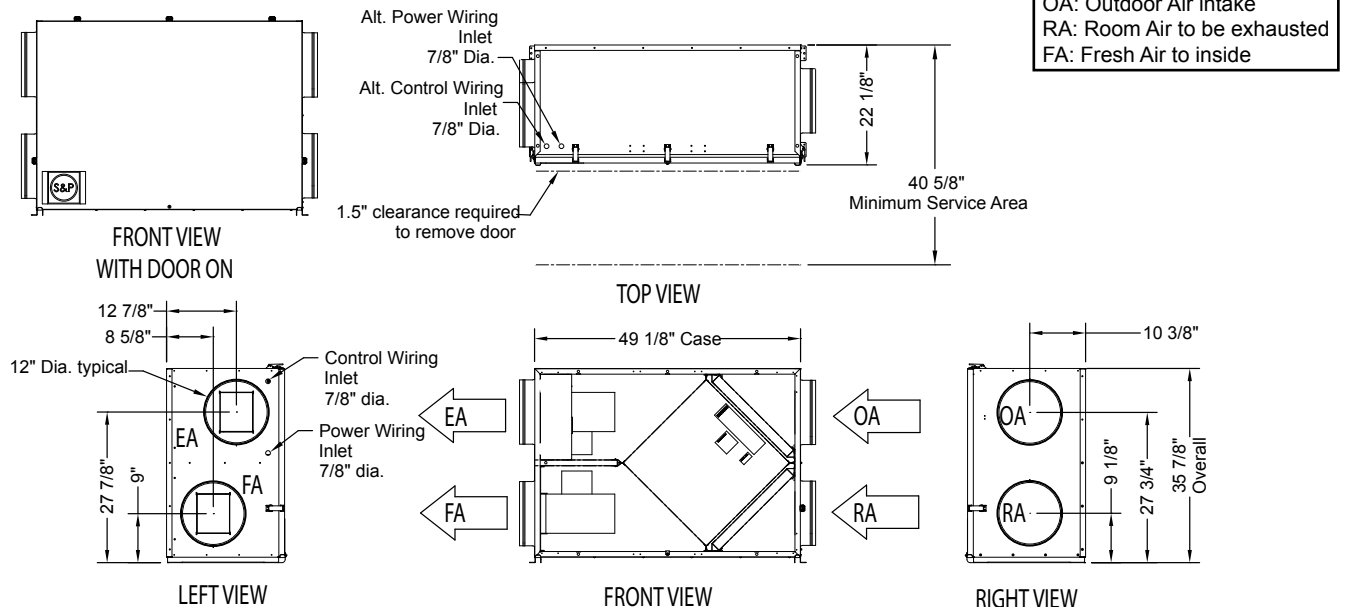
* At AHRI 1060 standard conditions
(Contact Factory for certified data for core components.)

Airflow Performance

Motor HP Phase	External Static Pressure (Inches Water Column)						
	0.0	0.25	0.5	0.75	0.9	1.25	1.5
0.75	970 CFM	925 CFM	860 CFM	795 CFM	750 CFM	635 CFM	480 CFM
Single Phase	1,490 Watts	1,375 Watts	1,270 Watts	1,160 Watts	1,090 Watts	950 Watts	825 Watts

Note: Watts is for the entire unit (two motors).

Dimensions



For more information contact us at www.solerpalau-usa.com or 1.800.961.7370 for additional submittal drawings. Soler & Palau will not be responsible for fabrication changes or errors resulting from customer use of a non-current submittal drawing.