

MODEL CM BELT DRIVEN VENT SET

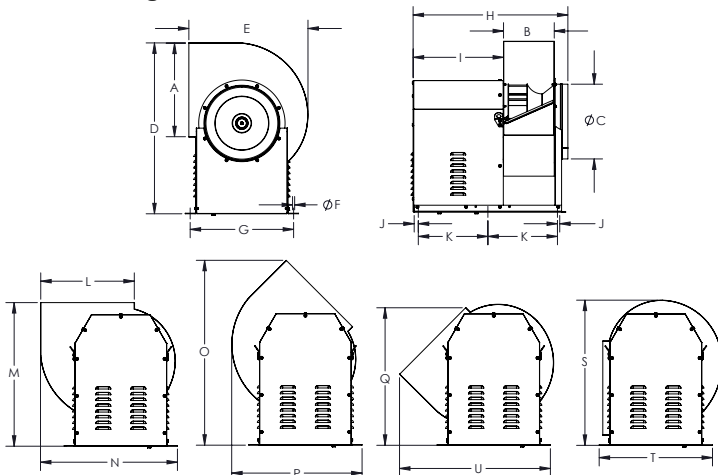
SWSI Arrangement #10, Class I Construction, Nonoverloading B.I. Wheel



6393 Powers Avenue
Jacksonville, Florida 32217-2298
P: 800.961.7370 / F: 800.961.7379
www.solerpalau-usa.com



Except CM 10



NOTES:

1. Outlet flange is optional for all sizes.
2. Unit rotatable to all positions: 45°, 90°, 270°, 315°, & 360°. "CW" rotation is shown: "CCW" rotation is similar but opposite.

Model	A	B	C	D	E	F	G	H	I	J	K
10	12-5/8	7-1/8	9-7/8	23-7/8	17-1/4	1/2	16-7/8	25-3/8	15-1/2	1	10-7/8
12	16	8-3/4	12-3/8	29-1/8	21-3/8	1/2	19-5/8	28-3/4	17	1	12-1/2
14	18	10	14	32-3/4	22-3/4	1/2	19-5/8	30-3/4	17-7/8	1	13-1/4
16	20	10-3/4	15-3/4	36-3/4	25-1/4	1/2	21-7/8	31-5/8	18	1	13-7/8
18	22-1/2	12-1/8	17-3/4	40-7/8	28-1/2	1/2	24-3/4	37	21-5/8	1	16-5/8
20	25-1/4	13-5/8	19-3/4	44-7/8	31-1/4	1/2	27-1/2	38-3/8	21-5/8	1	17-1/2
22	28-1/4	15-1/4	22	49-3/8	35	1/2	29-7/8	40-1/8	21-5/8	1	18-1/4
24	31-5/8	17	24-3/4	55-1/2	39-1/8	1/2	33-1/4	41-7/8	21-5/8	1	19-1/8
27	35-1/2	18-7/8	28	66-7/8	44	1/2	35-1/4	50	27-1/4	4	20-1/4
30	39-3/4	21	31-1/2	74	49-1/4	1/2	39-3/8	53-3/4	28-3/4	2	24
36	44-3/4	23-3/8	35-1/2	82-1/2	55-1/4	1/2	45	59-1/8	32-1/2	2	27-1/8

Model	L	M	N	O	P	Q	S	T	U
10	12-3/4	21-5/8	20	25-7/8	19-3/8	21-5/8	20-3/8	18-7/8	22-7/8
12	16	26	24-1/4	32-1/2	23-1/8	24-3/4	24-7/8	21-7/8	27-1/2
14	18	28	25-7/8	35-5/8	24-5/8	27	28-1/4	23-1/4	29-3/8
16	20	31-1/8	29-1/4	39-7/8	27-5/8	29-7/8	31-3/8	26	32-1/4
18	22-1/2	34-3/8	32-3/4	44-1/8	38-1/4	33-3/4	34-3/4	29-1/4	36-7/8
20	35-1/4	37-1/2	36-1/8	48-3/8	34-1/4	37-1/8	38-1/8	32-3/8	40-1/2
22	28-1/4	41	40-1/8	53-1/4	37-3/4	40-3/4	42	35-3/4	45-3/8
24	31-5/8	45-7/8	44-5/8	59-3/4	42-1/8	45-1/2	47	39-7/8	50-3/4
27	35-1/2	55-5/8	50-5/8	71-1/2	46-1/8	54-7/8	57-1/4	44	57-1/2
30	39-3/4	62-3/8	57-1/8	80-1/8	51-1/4	62-1/2	63-1/4	49-1/4	61-1/4
36	44-3/4	70-1/2	64-3/8	89-3/4	57-1/2	70-5/8	70-5/8	55-1/4	72-3/8

FAN SPECIFICATIONS									MOTOR SPECIFICATIONS				
Line	Qty.	Model No.	Tag	CFM	SP	Fan RPM	BHP	Sones	HP	Volts	Phase	Hertz	Encl
1													
2													
3													
4													

ACCESSORY ITEMS	1	2	3	4	5	ACCESSORY ITEMS	1	2	3	4	5
<input type="checkbox"/>						<input type="checkbox"/>					
<input type="checkbox"/>						<input type="checkbox"/>					
<input type="checkbox"/>						<input type="checkbox"/>					
<input type="checkbox"/>						<input type="checkbox"/>					