



Vent Lights



**The ONLY Vent Light manufacturer
to offer LED bulbs.**

Vent Lights

Available with LED Bulbs



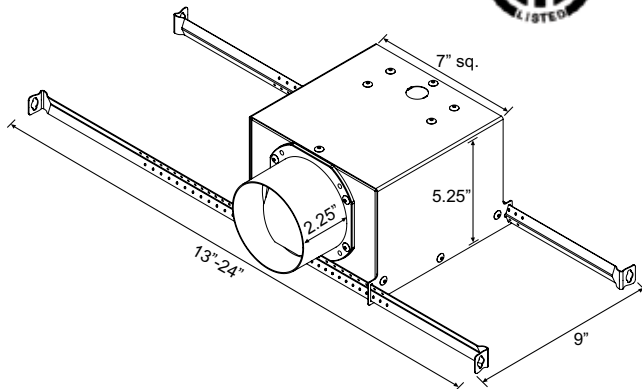
S&P's new Vent Lights give you ventilation that is "Out-of-Sight and Out-of-Mind"! The Vent Lights appear to be a regular can light, and when combined with a remotely mounted fan, the noise and unsightly look of the traditional bathroom fan are gone! The Vent Lights are aesthetically pleasing grilles with lights that will match any bathroom decor. These vent lights are designed to be used exclusively with one of S&P's remotely mounted inline fans (TD, PV, SWF) for virtually silent bathroom ventilation. Inline fans give you the option to mount your grille over the shower, toilet, tub, or in multiple locations (dual vent).

| Model | Description |
|----------|--|
| VLED-100 | Vent Light with PAR30 LED Bulb (S&P Exclusive!) |
| VLH-100 | Vent Light with PAR30 Halogen Bulb |
| VLF-100 | Vent Light with Energy Star Rated Compact Fluorescent Bulb |

Features:

- Longer duct collar for 4" duct
- Extendable hanger bars up to 24"
- 7.5" grille
- Built-in backdraft damper
- 3 bulb options

Dimensions (inches)



Why Choose the Vent Light with LED Bulbs?

S&P's respect for the environment extends to its Vent Lights with the optional LED Bulb. The benefits to the LED Bulbs include:

- Built to last a minimum of 60,000 hours, plus the LED's use a fraction of the energy that a traditional incandescent or halogen lamp uses
- LED's contain no mercury so they are easy to dispose of, unlike other energy efficient bulbs
- The LED lamps run cool and are shock resistant, making them safer for use in your home

Also Available Premium Grilles

PG



PGD



S&P's premium grilles come standard with steel collars for easy mounting and installation. They are available with (PGD) and without (PG) backdraft dampers.

Adjustable Grilles BOR/BOC



Exhaust grilles for bathrooms, toilets and other small rooms. All models offer an adjustable central valve to regulate the airflow.

Soler & Palau USA
6393 Powers Avenue
Jacksonville, FL 32217
p. 800.961.7370
f. 800.961.7379
www.solerpalau-usa.com

Soler & Palau Canada
61 A Baywood Road
Toronto, ON M9V 3Y8
866.733.0233
866.358.5346
www.solerpalaucanada.com