



# MODEL ARE/ARS

## DOME DIRECT DRIVE PROPELLER EXHAUST/INTAKE ROOF FAN

ARE=Exhaust  
ARS=Supply



### APPLICATION

The AR series offers powerful axial intake (ARS) or exhaust (ARE) performance in a roof mount design that is compact, lightweight and easy to install.

The AR series is an excellent choice for factories, shops, restaurants, bathrooms, offices, schools and other similar applications where light to moderate static pressures are present.

The low contour designs and all aluminum housing provides a modern, clean appearance in addition to excellent performance and durability. The direct drive design has no belts or fan bearings to maintain or adjust and consequently requires very little maintenance.

### CONSTRUCTION

#### Housing

- Heavy-gauge all aluminum housing.
- Exclusive U-Spring suspension compensates for both radial and lateral movement and provides 44% better vibration isolation than rubber isolators.
- External wiring chase for easy connection.
- Quick access to motor compartment for easy maintenance.

#### Propeller

- Attaches directly to motor shaft for maximum efficiency.
- Precision pitched, heavy-gauge aluminum blades with steel hub. Blades are designed for specific exhaust or supply requirements.

#### Speed Controllable Motor

- Standard motors are single speed, speed controllable and drip-proof.
- All motors are rated for continuous duty.
- Disconnect is standard on ODP motors.
- Motors are shipped assembled with factory test run assurance.

### DIMENSIONAL DATA

MODEL ARE/ARS	A	B	C	D	E	F	Average Ship Wt. Lbs.
10	21	13	7	2	20	12 3/4	25
12	28	16	8	3	24	15 3/4	42
16	32	18	8 1/2	3	28	19 3/4	55
20	36	20	9 3/4	3	32	23 3/4	75

### ACCESSORIES

#### Solid State Speed Control:

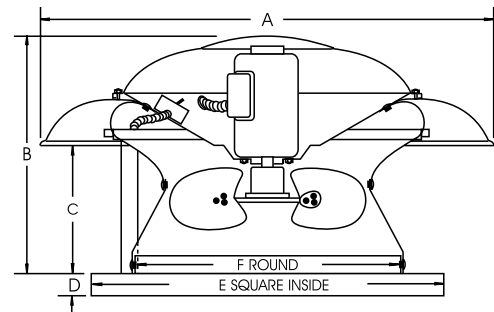
Is matched to the motor and blower wheel to allow continuous reduction in performance allowing adjustments of airflow for system balancing. CFM is reduced in direct proportion to motor speed reduction. Speed control is only available for single phase. Exhauster performance can be controlled from the ventilated area.

### PERFORMANCE ASSURANCE

- Units are tested in accordance with AMCA 301 (Sound) and AMCA 210 (Air).



LISTED POWER ROOF VENTILATOR  
UL STANDARD 705



Ship Schedules:
● Next Day Shipment From Stock
▲ 3 Day Shipment From Stock
◆ 10 Day Shipment

### ACCESSORIES

MODEL ARE/ARS	RECOMMENDED 12" MOUNTING CURB		RECOMMENDED DAMPER		DAMPER MOTOR (LOOSE)	115 VOLT SPEED CONTROL	230 VOLT SPEED CONTROL
	OD	STOCK NO.	OD	STOCK NO. ARE / ARS	STOCK NO. ARE / ARS	STOCK NO.	STOCK NO.
10	18 1/2	91812221 ●	14	411014 / S3GA12CB ●	411611 / MP2781 ●	2727.1 ●	3232.1 ◆
12	22 1/2	92212221 ●	18	411018 / S3GA16CB ●	411611 / MP2781 ●	2727.1 ●	3232.1 ◆
16	26 1/2	92612221 ●	22	411022 / S3GA20CB ●	411611 / MP2781 ●	2727.1 ●	3232.1 ◆
20	30 1/2	93012221 ◆	26	411026 / S3GA24CB ◆	411611 / MP2781 ◆	2727.1 ◆	3232.1 ◆

ARE=Exhaust ARS=Supply

### SPEED CONTROL 2727.1 MAX 1/3 HP-5 AMP 120V

ALL DIMENSIONS IN INCHES, WEIGHTS IN POUNDS. OD IS OUTSIDE DIMENSION OF SQUARE CURB AND DAMPER. DUE TO CONTINUING RESEARCH, SOLER & PALAU RESERVES THE RIGHT TO CHANGE SPECIFICATIONS WITHOUT NOTICE.

*Please refer to the General Catalog or contact the Factory for our Full Line of products available on standard shipping schedules.*

PROPELLER ROOF VENTILATORS

<b>MODEL ARE</b>					<b>Dome Direct Drive Propeller Exhaust Roof Fan</b>								<b>Ventilator with Open Drip-proof Motor</b>	
MODEL ARE	MOTOR Hp	MAX BHp	RPM	SONES @ 0 SP	CFM at Static Pressure								115/1/60	208-230/1/60
					0	1/10	1/8	1/4	3/8	1/2	5/8	3/4	STOCK NO.	STOCK NO.
10	1 1/5	0.067	1230+	-	495	322	268	-	-	-	-	-	ARE10IH1AS ●	N/A
			1390+	-	655	532	498	316	-	-	-	-		
			1550*	4.2	825	730	570	405	-	-	-	-		
12	1/4	0.125	820+	-	793	417	365	-	-	-	-	-	ARE12MM1AS ♦	ARE12MM1CS ♦
			940+	-	1088	914	818	478	375	-	-	-		
			1140*	4.1	1320	1224	1190	730	570	320	-	-		
	1/4	0.250	1030+	-	1173	1035	975	600	-	-	-	-	ARE12MH1AS ●	ARE12MH1CS ♦
			1375+	-	1566	1450	1430	1163	866	-	-	-		
			1725*	6.1	2000	1857	1840	1760	1570	1160	1060	970		
16	1/4	0.167	685+	-	1226	796	700	-	-	-	-	-	ARE16MM1AS ♦	ARE16MM1CS ♦
			940+	-	1682	1378	1297	926	-	-	-	-		
			1140*	4.5	2040	1796	1730	1400	1110	930	-	-		
	1/3	0.333	1030+	-	1827	1572	1549	1114	-	-	-	-	ARE16PH1AS ●	ARE16PH1CS ♦
			1375+	-	2439	2187	2149	2045	1704	-	-	-		
			1725*	9.5	3060	2863	2810	2650	2580	2410	2020	1800		
20	1/4	0.25	685+	-	1911	1442	1318	-	-	-	-	-	ARE20MM1AS ♦	ARE20MM1CS ♦
			940+	-	2622	2343	2256	1776	-	-	-	-		
			1140*	6.9	3180	2963	2900	2530	2140	1980	-	-		

\* AS RUN SPEED  
 + PERFORMANCE USING SPEED CONTROL \*

<b>MODEL ARS</b>					<b>Dome Direct Drive Propeller Supply Roof Fan</b>								<b>Ventilator with Open Drip-proof Motor</b>	
MODEL ARS	MOTOR Hp	MAX BHp	RPM	SONES @ 0 SP	CFM at Static Pressure								115/1/60	208-230/1/60
					0	1/10	1/8	1/4	3/8	1/2	5/8	3/4	STOCK NO.	STOCK NO.
10	1/15	0.067	930+	-	615	423	351	-	-	-	-	-	ARS10IH1AS ♦	N/A
			1230+	-	694	576	547	231	-	-	-	-		
			1550*	4.0	775	644	610	325	-	-	-	-		
12	1/4	0.125	685+	-	769	512	-	-	-	-	-	-	ARS12MM1AS ♦	ARS12MM1CS ♦
			940+	-	882	588	509	-	-	-	-	-		
			1140*	4.1	1070	833	770	440	-	-	-	-		
	1/4	0.250	1030+	-	943	697	588	-	-	-	-	-	ARS12MH1AS ♦	ARS12MH1CS ♦
			1375+	-	1259	1082	1040	706	429	-	-	-		
			1725*	6.1	1580	1433	1400	1230	920	700	470	-		
16	1/4	0.167	685+	-	1309	781	-	-	-	-	-	-	ARS16MM1AS ♦	ARS16MM1CS ♦
			940+	-	1501	895	842	394	-	-	-	-		
			1140*	4.5	1820	1360	1130	920	450	-	-	-		
	1/3	0.333	1030+	-	1505	1171	1069	691	-	-	-	-	ARS16PH1AS ♦	ARS16PH1CS ♦
			1375+	-	2009	1815	1742	1355	1028	-	-	-		
			1725*	9.5	2520	2383	2340	2040	1735	1500	1070	-		
20	1/4	0.25	685+	-	1767	1343	1223	-	-	-	-	-	ARS20MM1AS ♦	ARS20MM1CS ♦
			940+	-	2424	2123	2047	1626	-	-	-	-		
			1140*	6.9	2940	2692	2630	2310	1950	1580	-	-		

\* AS RUN SPEED  
 + PERFORMANCE USING SPEED CONTROL

Soler & Palau certifies the performance shown herein. The ratings shown are based on tests and procedures performed in accordance with AMCA Publication 210 (Air) and AMCA 300 (Sound).

Use 5 AMP Speed Control for motors 1/3 HP and smaller.