

# KSF Centrifugal Filtered Supply Fans

Belt Drive

Catalog KSF01-July 2007



The World's Leading Producer of  
**Air Movement Products**



Soler & Palau USA, Div. of Soler & Palau Ventilation Group, certifies that the Models KSF shown herein are licensed to bear the AMCA Seal. The ratings shown are based on test and procedures performed in accordance with AMCA Publication 211 and AMCA Publication 311 and comply with the requirement of the AMCA Certified Ratings Program.

Soler&Palau  Ventilation Group

COMMERCIAL PRODUCT LINE

## Application

Model KSF fans are roof curb or curb cap mounted filtered supply fans rated from 375 to over 12,000 CFM, with static pressure capabilities to 2 inches. The primary use of these fans is for filtered make-up air in kitchen hood applications but may also be specified for make-up air in commercial and industrial applications such as manufacturing and assembly areas.

Model KSF's rugged design with heavy-gauge galvanized construction provides maximum weather protection, long life and the utmost in performance efficiency. The forward curved centrifugal blower provides efficient air flow at low sound levels with static pressure capabilities to handle ducted air systems or hoods within a building.

Filters are washable and are reusable to reduce maintenance costs. Quick release hood latches make routine cleaning and maintenance fast and easy.

Model KSF is backed by the industry's best warranty - five year fan/bearing protection and one year motor warranty (see warranty details on Page 3). All fans are factory test run before shipping for quality assurance.

## Construction/Specification Checklist Blower

- Statically and dynamically balanced forward curved wheel.
- 12-gauge galvanized steel blower plate/discharge opening.
- 18-gauge galvanized steel housing.
- Prepunched mounting holes.
- Conduit opening for wiring from below unit.
- Disconnect switch is standard equipment (Except with 2 speed and explosion proof motors).

## Motors

- 1 year warranty.
- Brands are nationally recognized and locally serviced.
- Single speed open drip-proof are standard.
- Explosion-proof, totally enclosed and two-speed motors are available.
- All motors are rated for continuous duty.
- 182T and larger motors shipped unmounted for field installation.
- Disconnect switch standard with single speed drip-proof motors (Except with 2 speed and explosion proof motors).

## Hood

- Heavy-gauge galvanized steel hood.
- Quick-release latches for removal from housing.
- Insulated for sound absorption and moisture barrier.
- 1 inch washable aluminum mesh filters.

## Drives

- Adjustable motor pulleys are standard.
- Sized for minimum 150% of drive horsepower.
- Machined cast iron adjustable motor pulleys.
- Pivoting motor plate for belt tensioning.
- Nonstatic oil resistant V-belts.

## Certifications

- AMCA Air and Sound Licensed.
- cULus Standard 705 Listed Power Roof Ventilator label assures electrical reliability.
- cULus label must be specified when needed.

## Options/Accessories

**Intake Extension:** Extensions are available for all size KSF fans to provide NFPA required clearance from the exhaust fan on factory supplied curbs. Extensions are made from heavy-gauge galvanized steel and require equipment supports on the intake end.

**Roof Curb:** Prefabricated heavy-gauge galvanized steel, welded construction, 12" high with 1-1/2" wood nailer. Options include single and double pitch construction and additional curb heights.

**Dampers:** Motor operated for positive closure against backdraft or automatic (counter balanced).

**Motors:** Two speed motors, high efficiency motors, totally enclosed explosion resistant and others are available.

**Duct Adapter:** For ease in connecting discharge duct to fan outlet.

**Common Curb:** Designed to allow both the supply fan and exhaust fan to be mounted on the same curb. This curb requires only one roof opening and speeds installation time.

**Special Coatings:** Epoxy, Heresite and Synthetic Resin are available when special coatings are required.

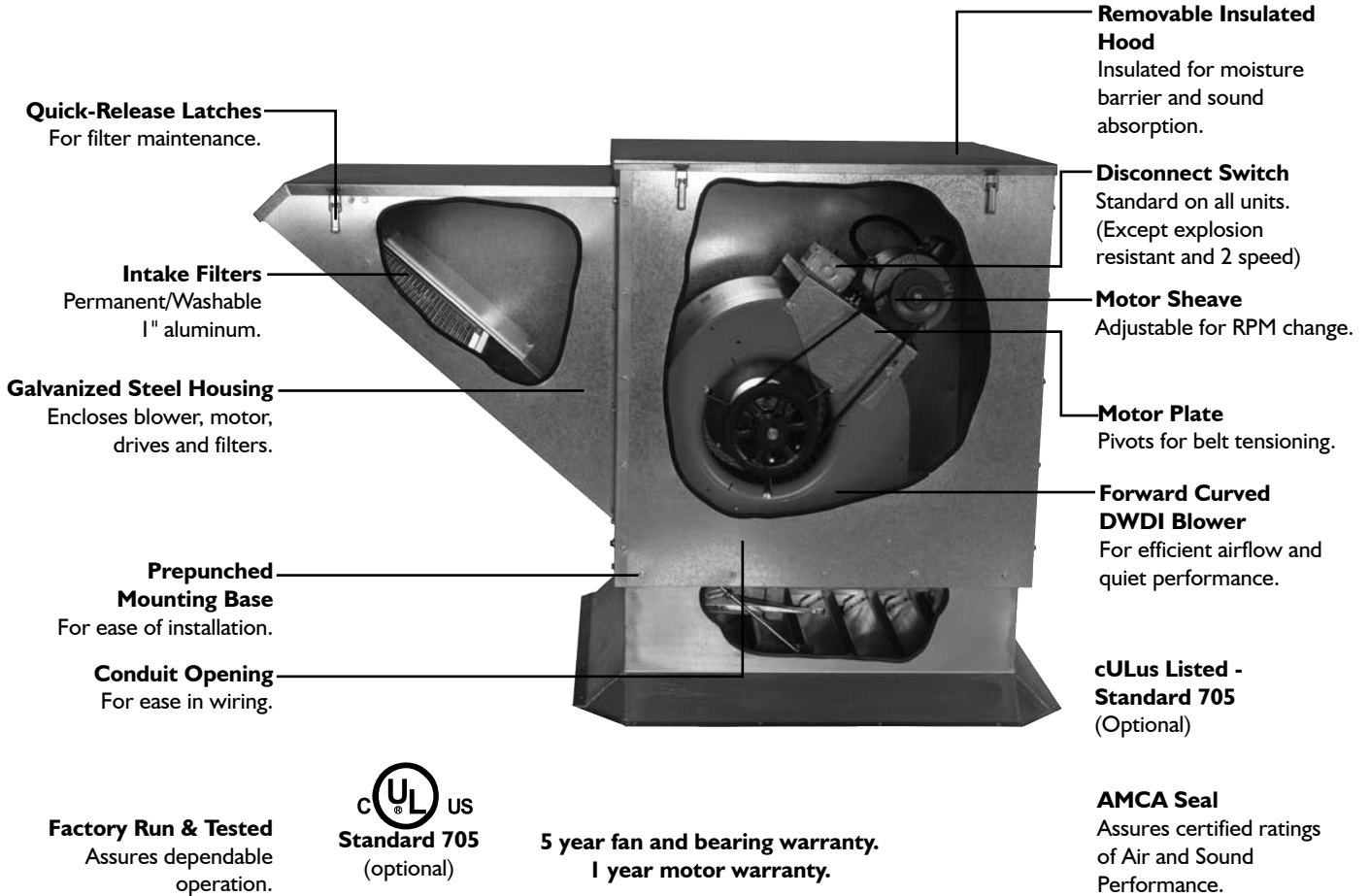
## Optimizer Selection Program

Please refer to Soler & Palau USA's Optimizer Program for fan curve, submittal information and other details of the KSF series and other Soler & Palau USA products. Visit Soler & Palau USA's website, [www.solerpalau-usa.com](http://www.solerpalau-usa.com) to download a copy.

All specifications are subject to change without notice unless approved in submittal by Soler & Palau USA.



## Model KSF



## Typical Specifications

Roof mounted, filtered supply fans shall be double width/double inlet, forward curved centrifugal blower type. Fan housing and drive components shall have a 5 year warranty. Motor warranty shall be 1 year. All units to be cULus 705 listed. All units shall be AMCA Licensed for Air and Sound Performance. Ratings include the filter in place.

Model KSF shall be heavy-gauge galvanized steel. Insulated hood to have quick release latches so tools are not required for removal. Filters shall be 1 inch, washable aluminum style, easily accessible for servicing.

All bases to be prepunched for curb mounting. All units are to be factory test run before shipping. Bearings shall be sized for 200,000 hour life with a 5 Year warranty. Motor sheaves shall be adjustable for a minimum 150% of drive horsepower. Fan shall be Model KSF manufactured by **Soler & Palau USA**, Jacksonville, Florida.

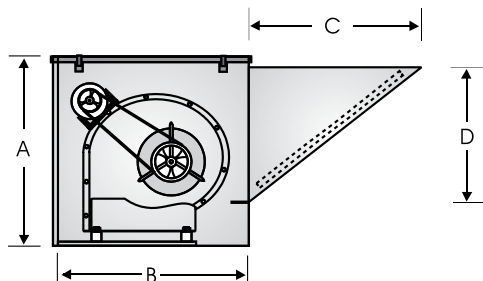
### SOLER & PALAU USA LIMITED WARRANTY

**Soler & Palau USA** (manufacturer), 6393 Powers Avenue, Jacksonville, Florida 32217, warrants the KSF to be free from defects in design, materials and workmanship (exclusive of abrasion, corrosion or erosion) for five (5) years from the date of shipment to the original purchaser or the date of notification of readiness to ship. Motor warranty is one (1) year. In order to claim the benefit of this warranty, buyer must notify manufacturer in writing of the claimed defect within ten (10) days after discovering it and return this equipment or parts to the factory with transportation prepaid. In the event of on-site repair, no service technician will be dispatched until manufacturer receives your written purchase order. If any of the following conditions exist, the warranty will be null and void: **(1)** Buyer has permitted other persons not approved or authorized by manufacturer to alter, adjust, replace or repair the equipment or any part thereof. **(2)** Buyer has not followed instructions or other directions given in the contract documents or our maintenance manual. **(3)** When breakage or other loss or damage is the result of any negligence, misuse or fault on the part of any operator or other person not under our supervision or control. **(4)** The defect is the result of designs or drawings made, furnished or specified by others. **(5)** In the case of goods not manufactured but supplied by the manufacturer as part of a contract, manufacturer shall only be liable to the same extent that our supplier is to manufacturer, not to exceed any liability manufacturer would have for warranty on our own equipment. **(6)** Buyer has not paid in full any invoices submitted to buyer which are due for payment. **(7)** Unusual wear and tear of the equipment. Statements relating to the product, its use or installation made prior to the execution of the agreement, are not warranties except to the extent that the contrary is expressly set forth herein. It is understood that such statements were not intended to, and did not, form a part of the agreement; they were merely made in the course of negotiations of the parties. **THIS WARRANTY IS IN LIEU OF ANY OTHER EXPRESS OR IMPLIED WARRANTIES, INCLUDING ANY IMPLIED WARRANTY OF MERCHANTABILITY OR FITNESS FOR ANY PARTICULAR PURPOSE. OUR SOLE AND EXCLUSIVE OBLIGATION UNDER THIS WARRANTY IS TO REPAIR OR REPLACE DEFECTIVE EQUIPMENT OR PARTS OR, AT OUR OPTION, TO PAY THE REASONABLE COST OF REPAIR OR REPLACEMENT. BUYER AGREES THAT NO OTHER REMEDY (INCLUDING, BUT NOT LIMITED TO, INCIDENTAL OR CONSEQUENTIAL DAMAGES, DAMAGES FOR LOST PROFITS OR SALES, OR DAMAGES FOR INJURIES TO PERSON OR PROPERTY) SHALL BE AVAILABLE. NOTWITHSTANDING THE ABOVE, THE TOTAL AMOUNT THAT MAY IN ANY EVENT BE PAYABLE IN SETTLEMENT OF LIABILITY, HOWEVER INCURRED, SHALL NOT EXCEED THE CONTRACT PRICE.**



# Performance/Dimensional Data

## KSF9



Soler & Palau USA, Div. of Soler & Palau Ventilation Group, certifies that the Models KSF shown herein are licensed to bear the AMCA Seal. The ratings shown are based on test and procedures performed in accordance with AMCA Publication 211 and AMCA Publication 311 and comply with the requirement of the AMCA Certified Ratings Program.

DIMENSIONAL DATA								
Damper OD	Roof Opening	Curb OD	Curb Cap ID	A	B	C	D	Ship Wt
16	19-1/2	22-3/4	24	23-1/4	24	17-1/2	18	215

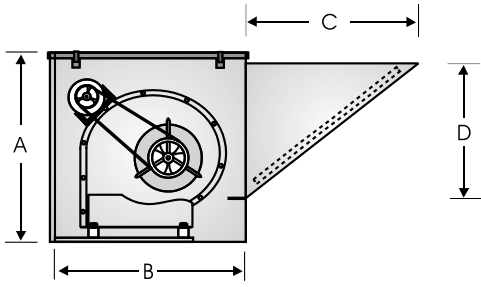
HP	CFM	OV	1/8 SP		1/4 SP		3/8 SP		1/2 SP		5/8 SP		3/4 SP		1 SP		1-1/4 SP		1-1/2 SP		2 SP		HP
			RPM	BHP	RPM	BHP	RPM	BHP	RPM	BHP	RPM	BHP	RPM	BHP	RPM	BHP	RPM	BHP	RPM	BHP	RPM	BHP	
1/4	375	458	437	0.02																			
	475	580	453	0.03																			
	575	702	482	0.04	623	0.06																	
	675	825	519	0.05	642	0.08																	
	775	947	558	0.07	669	0.10	775	0.13															
	875	1069	598	0.09	704	0.12	798	0.15															
	975	1191	642	0.12	742	0.15	828	0.18	912	0.22	995	0.26											
	1075	1313	689	0.15	780	0.19	864	0.22	940	0.26	1016	0.30	1092	0.34									
	1175	1435	738	0.19	820	0.23	901	0.27	973	0.31	1043	0.35	1113	0.39	1250	0.49							
	1275	1558	789	0.24	862	0.28	939	0.32	1010	0.36	1075	0.41	1139	0.45	1267	0.55							
1/3	1375	1680	839	0.29	906	0.33	979	0.38	1047	0.42	1110	0.47	1170	0.52	1289	0.62	1407	0.73					
1/2	1475	1802	891	0.35	953	0.40	1020	0.44	1086	0.49	1147	0.54	1205	0.59	1316	0.70	1427	0.81	1536	0.93			
	1575	1924	943	0.42	1002	0.47	1062	0.52	1126	0.57	1185	0.62	1242	0.67	1347	0.79	1451	0.90	1554	1.02			
	1675	2046	995	0.50	1051	0.55	1106	0.60	1166	0.66	1224	0.71	1279	0.77	1381	0.88	1479	1.00	1577	1.13	1769	1.40	1-1/2
3/4	1775	2168	1048	0.59	1101	0.65	1152	0.70	1207	0.75	1264	0.81	1318	0.87	1417	0.99	1510	1.11	1603	1.25	1789	1.52	2
	1875	2290	1100	0.69	1152	0.75	1200	0.80	1250	0.86	1304	0.92	1357	0.98	1455	1.10	1545	1.23	1632	1.37	1807	1.66	
1	1975	2413	1153	0.80	1203	0.86	1249	0.92	1296	0.98	1346	1.04	1397	1.11	1493	1.23	1581	1.37	1665	1.51	1831	1.80	2
	2075	2535	1206	0.92	1254	0.99	1299	1.05	1343	1.11	1389	1.17	1437	1.24	1531	1.38	1619	1.51	1700	1.65	1858	1.96	
1-1/2	2175	2657	1259	1.06	1306	1.12	1349	1.19	1391	1.25	1433	1.32	1479	1.39	1571	1.53	1656	1.67	1736	1.81			
	2275	2779	1313	1.20	1358	1.27	1400	1.34	1440	1.41	1480	1.47	1522	1.54	1611	1.70	1695	1.84	1774	1.99			
	2375	2901	1366	1.36	1410	1.43	1451	1.50	1489	1.57	1528	1.64	1566	1.72	1651	1.87	1734	2.03	1811	2.18			

Power ratings (BHP) do not include transmission losses. Performance certified is for installation type B-free inlet, ducted outlet. Performance ratings do not include the effects of appurtenances (accessories).

Sound Power Levels in Decibels										
RPM	SP	LW <sub>o</sub> -1	LW <sub>o</sub> -2	LW <sub>o</sub> -3	LW <sub>o</sub> -4	LW <sub>o</sub> -5	LW <sub>o</sub> -6	LW <sub>o</sub> -7	LW <sub>o</sub> -8	LW <sub>o</sub> -A
500	0.125	73	69	60	54	51	49	45	38	59
600	0.125	76	76	66	60	57	55	52	44	65
700	0.125	78	82	72	65	62	59	58	51	71
700	0.250	79	80	71	63	60	57	56	48	69
800	0.125	80	85	77	69	66	63	62	56	75
800	0.250	81	83	76	68	64	61	60	53	73
900	0.125	82	87	81	73	69	67	66	61	78
900	0.250	83	86	81	72	68	65	64	58	77
1000	0.125	85	88	85	77	72	70	68	65	81
1000	0.250	84	88	85	76	71	68	67	63	80
1000	0.500	85	88	84	75	69	66	64	60	79
1100	0.250	85	89	88	79	74	71	69	66	83
1100	0.500	87	89	87	78	72	69	67	63	82
1200	0.125	88	92	92	83	77	75	73	71	87
1200	0.500	88	91	90	82	75	72	70	67	85
1300	0.250	89	92	95	85	79	76	74	73	89
1300	1.000	90	93	93	84	76	73	71	68	87
1400	0.500	90	93	97	87	80	77	74	73	91
1500	1.000	92	95	97	89	80	77	74	73	92
1600	1.500	93	96	98	91	82	79	76	74	93

The sound power level ratings shown are in decibels referred to 10-12 watts calculated per AMCA Standard 301. The A-weighted sound ratings shown have been calculated per AMCA Standard 301. Values shown are for outlet L<sub>w</sub>o sound power levels for: Installation Type-B: free inlet, ducted outlet. Ratings include the effects of duct end connection.

# KSF10



**UL** US  
Standard 705  
(optional)



Soler & Palau USA, Div. of Soler & Palau Ventilation Group, certifies that the Models KSF shown herein are licensed to bear the AMCA Seal. The ratings shown are based on test and procedures performed in accordance with AMCA Publication 211 and AMCA Publication 311 and comply with the requirement of the AMCA Certified Ratings Program.

DIMENSIONAL DATA								
Damper OD	Roof Opening	Curb OD	Curb Cap ID	A	B	C	D	Ship Wt
20	23-1/2	26-1/2	28	27-1/4	28	22.5	21	245

HP	CFM	OV	1/8 SP		1/4 SP		3/8 SP		1/2 SP		5/8 SP		3/4 SP		1 SP		1-1/4 SP		1-1/2 SP		2 SP		HP
			RPM	BHP	RPM	BHP	RPM	BHP	RPM	BHP	RPM	BHP	RPM	BHP	RPM	BHP	RPM	BHP	RPM	BHP	RPM	BHP	
1/4	1050	1011	509	0.10	610	0.13	696	0.17															
	1150	1108	537	0.12	633	0.15	717	0.20															
	1250	1204	565	0.14	658	0.18	739	0.23	811	0.27													
	1350	1300	595	0.17	684	0.22	762	0.26	832	0.31	897	0.36											
	1450	1397	626	0.20	711	0.26	785	0.30	855	0.35	918	0.40	977	0.45									
1/3	1650	1589	689	0.28	766	0.34	836	0.40	901	0.45	962	0.51	1019	0.57	1124	0.68							
	1750	1686	721	0.33	794	0.39	863	0.45	926	0.51	985	0.57	1041	0.63	1143	0.75							
1/2	1850	1782	753	0.38	824	0.45	891	0.52	954	0.57	1009	0.63	1063	0.70	1164	0.83	1257	0.93					
	1950	1878	786	0.44	854	0.51	918	0.58	978	0.64	1033	0.70	1087	0.77	1186	0.91	1277	1.05	1364	1.19			
	2050	1975	819	0.50	885	0.58	946	0.65	1005	0.72	1059	0.78	1111	0.85	1208	1.00	1298	1.14	1382	1.28			
3/4	2150	2071	852	0.57	916	0.65	975	0.73	1032	0.81	1085	0.87	1135	0.93	1231	1.09	1319	1.24	1402	1.39			
	2250	2167	886	0.65	948	0.73	1004	0.81	1060	0.89	1112	0.97	1161	1.03	1254	1.18	1342	1.35	1422	1.50			
	2350	2264	921	0.73	980	0.81	1034	0.90	1088	0.99	1139	1.07	1187	1.14	1278	1.29	1364	1.46	1444	1.62	1592	1.95	2
1	2450	2360	955	0.82	1012	0.91	1065	0.99	1116	1.09	1167	1.18	1214	1.26	1303	1.40	1387	1.57	1466	1.75	1612	2.09	
	2550	2456	990	0.92	1044	1.01	1096	1.10	1145	1.19	1194	1.29	1241	1.38	1328	1.52	1411	1.70	1489	1.88	1632	2.24	
1-1/2	2650	2552	1025	1.03	1076	1.12	1128	1.21	1175	1.31	1222	1.41	1269	1.51	1354	1.66	1435	1.83	1512	2.02	1654	2.40	3
	2750	2649	1060	1.15	1109	1.23	1159	1.33	1205	1.43	1251	1.53	1296	1.64	1381	1.81	1459	1.97	1535	2.16	1675	2.56	
	2850	2745	1096	1.27	1142	1.36	1191	1.46	1236	1.56	1280	1.66	1324	1.77	1407	1.97	1485	2.13	1559	2.32	1698	2.73	
	2950	2841	1131	1.40	1175	1.49	1224	1.59	1267	1.70	1310	1.81	1353	1.92	1435	2.13	1511	2.30	1583	2.48			
2	3050	2938	1167	1.55	1209	1.63	1255	1.74	1299	1.85	1340	1.96	1381	2.07	1462	2.30	1537	2.48	1608	2.66			

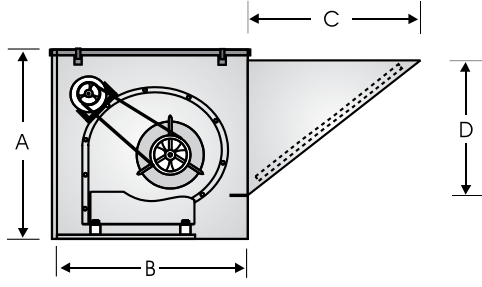
Power ratings (BHP) do not include transmission losses. Performance certified is for installation type B-free inlet, ducted outlet. Performance ratings do not include the effects of appurtenances (accessories).

Sound Power Levels in Decibels										
RPM	SP	LW <sub>0-1</sub>	LW <sub>0-2</sub>	LW <sub>0-3</sub>	LW <sub>0-4</sub>	LW <sub>0-5</sub>	LW <sub>0-6</sub>	LW <sub>0-7</sub>	LW <sub>0-8</sub>	LW <sub>0-A</sub>
600	0.125	78	76	67	66	64	62	61	55	70
700	0.125	80	82	71	70	68	66	66	60	75
700	0.250	79	81	69	68	66	64	64	57	73
800	0.125	82	85	76	74	72	70	69	65	78
800	0.250	82	84	75	72	70	68	68	63	77
900	0.125	85	87	81	77	75	73	72	68	81
900	0.250	84	87	80	76	74	72	71	68	81
900	0.500	84	85	78	73	71	69	68	64	78
1000	0.125	86	89	85	79	78	76	75	72	84
1000	0.250	86	89	84	79	77	75	74	71	84
1000	0.500	86	88	83	76	75	73	72	68	82
1100	0.125	88	91	87	82	80	78	77	75	87
1100	0.250	88	91	88	81	80	78	76	74	86
1100	0.500	88	90	87	79	78	76	75	72	85
1200	0.500	89	92	92	82	81	79	77	76	88
1200	1.000	88	91	88	79	77	75	73	71	85
1300	1.000	90	93	92	82	80	79	77	76	88
1400	1.000	92	94	96	84	83	81	79	79	91
1400	1.500	91	94	93	82	80	78	76	74	88
1500	1.500	92	95	96	85	83	81	79	78	91

The sound power level ratings shown are in decibels referred to 10-12 watts calculated per AMCA Standard 301. The A-weighted sound ratings shown have been calculated per AMCA Standard 301. Values shown are for outlet Lw<sub>0</sub> sound power levels for: Installation Type-B: free inlet, ducted outlet. Ratings include the effects of duct end connection.



# KSF12



**UL** US  
Standard 705  
(optional)



Soler & Palau USA, Div. of Soler & Palau Ventilation Group, certifies that the Models KSF shown herein are licensed to bear the AMCA Seal. The ratings shown are based on test and procedures performed in accordance with AMCA Publication 211 and AMCA Publication 311 and comply with the requirement of the AMCA Certified Ratings Program.

DIMENSIONAL DATA								
Damper OD	Roof Opening	Curb OD	Curb Cap ID	A	B	C	D	Ship Wt
24	28	30-1/2	32	32-1/2	32	26-3/4	26-3/8	255

HP	CFM	OV	1/8 SP		1/4 SP		3/8 SP		1/2 SP		5/8 SP		3/4 SP		1 SP		1-1/4 SP		1-1/2 SP		2 SP		HP
			RPM	BHP	RPM	BHP	RPM	BHP	RPM	BHP	RPM	BHP	RPM	BHP	RPM	BHP	RPM	BHP	RPM	BHP	RPM	BHP	
1/4	1150	1668	394	0.07	498	0.10	590	0.14	673	0.18	747	0.23	814	0.28	932	0.38	1034	0.49	1125	0.61	1284	0.85	
	1350	1958	427	0.09	519	0.13	604	0.17	683	0.22	755	0.27	822	0.32	941	0.44	1045	0.55	1138	0.68	1301	0.94	
	1600	2320	473	0.14	553	0.18	629	0.23	701	0.28	769	0.33	833	0.39	951	0.51	1055	0.64	1150	0.78	1316	1.07	
	1800	2610	512	0.19	586	0.23	655	0.28	721	0.33	785	0.39	846	0.45	960	0.58	1063	0.72	1158	0.86	1326	1.17	
	2000	2900	552	0.25	620	0.30	684	0.35	746	0.40	805	0.46	863	0.53	971	0.66	1072	0.80	1166	0.96	1334	1.28	
1/3	2200	3190	594	0.32	657	0.37	716	0.43	773	0.49	829	0.55	883	0.61	986	0.75	1084	0.90	1175	1.06	1342	1.40	
1/2	2400	3480	636	0.40	695	0.46	751	0.52	804	0.58	856	0.65	907	0.71	1005	0.86	1098	1.02	1187	1.18	1350	1.54	
	2600	3770	679	0.49	735	0.56	787	0.62	837	0.69	886	0.76	934	0.83	1026	0.98	1115	1.14	1200	1.31	1360	1.68	
3/4	2700	3915	701	0.55	755	0.62	806	0.68	855	0.75	902	0.82	948	0.89	1038	1.05	1125	1.21	1209	1.39	1366	1.76	
	2800	4060	723	0.61	776	0.68	825	0.75	872	0.82	918	0.89	963	0.96	1051	1.12	1135	1.29	1217	1.46	1372	1.84	
	2900	4205	744	0.67	796	0.74	844	0.81	890	0.89	935	0.96	979	1.04	1064	1.20	1146	1.37	1227	1.54	1379	1.93	
	3000	4350	767	0.73	817	0.81	864	0.88	909	0.96	952	1.04	995	1.11	1078	1.28	1159	1.45	1237	1.63	1386	2.02	
1	3100	4495	789	0.80	838	0.88	883	0.96	927	1.04	970	1.12	1011	1.20	1092	1.36	1171	1.54	1247	1.72	1394	2.12	
	3200	4640	811	0.88	859	0.96	903	1.04	946	1.12	988	1.20	1028	1.28	1107	1.45	1184	1.63	1259	1.82	1403	2.22	
	3400	4930	855	1.04	901	1.13	944	1.21	985	1.30	1024	1.38	1063	1.47	1138	1.65	1211	1.83	1283	2.03	1421	2.44	
1-1/2	3600	5220	900	1.23	944	1.32	985	1.41	1024	1.50	1062	1.59	1099	1.68	1171	1.86	1241	2.05	1310	2.25	1442	2.68	
	3800	5510	945	1.43	987	1.53	1027	1.63	1064	1.72	1101	1.81	1136	1.91	1205	2.10	1272	2.30	1338	2.51	1466	2.94	
2	4000	5800	990	1.66	1031	1.76	1069	1.86	1105	1.96	1140	2.06	1174	2.16	1241	2.36	1305	2.57	1368	2.78	1491	3.23	
	4200	6090	1036	1.91	1075	2.02	1111	2.12	1146	2.23	1180	2.33	1213	2.44	1277	2.65	1339	2.86	1400	3.08	1518	3.54	
3	4400	6380	1081	2.18	1119	2.30	1154	2.41	1188	2.52	1221	2.63	1252	2.74	1314	2.96	1374	3.18	1433	3.41	1547	3.88	
	4600	6670	1127	2.48	1163	2.60	1197	2.72	1230	2.84	1262	2.95	1292	3.07	1352	3.30	1410	3.53	1467	3.76	1577	4.25	

Power ratings (BHP) do not include transmission losses. Performance certified is for installation type B-free inlet, ducted outlet. Performance ratings do not include the effects of appurtenances (accessories).

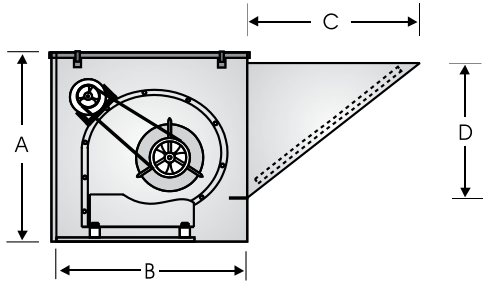
Sound Power Levels in Decibels										
RPM	SP	LWo-1	LWo-2	LWo-3	LWo-4	LWo-5	LWo-6	LWo-7	LWo-8	LWo-A
400	0.125	70	62	60	54	53	52	44	36	59
500	0.125	77	71	68	64	61	60	54	47	67
500	0.250	75	69	66	62	58	57	51	43	65
600	0.125	83	79	73	71	67	66	62	55	74
600	0.250	80	76	70	68	63	62	58	50	70
700	0.125	87	84	78	77	71	70	68	61	79
700	0.250	85	82	76	75	69	68	65	58	77
700	0.500	83	80	74	73	66	65	62	54	74
800	0.125	90	89	81	80	74	73	72	65	82
800	0.250	89	88	80	78	73	72	71	64	81
800	0.500	86	85	77	75	69	68	67	59	78
900	0.125	93	92	85	82	78	76	75	69	85
900	0.250	92	91	84	82	77	75	74	68	85
900	0.500	89	89	82	79	74	72	71	64	82
1000	0.0125	95	95	89	85	82	79	78	73	88
1000	0.250	94	94	88	85	81	78	77	72	88
1000	0.500	92	92	86	83	79	76	75	69	86
1000	1.000	90	90	84	81	77	73	72	66	84
1100	1.000	92	93	87	83	80	76	75	69	86
1200	1.500	93	95	90	85	83	78	77	72	89

The sound power level ratings shown are in decibels referred to 10-12 watts calculated per AMCA Standard 301. The A-weighted sound ratings shown have been calculated per AMCA Standard 301. Values shown are for outlet Lwo sound power levels for: Installation Type-B: free inlet, ducted outlet. Ratings include the effects of duct end connection.

Performance/Dimensional Data



# KSF15



**UL** US  
Standard 705  
(optional)



Soler & Palau USA, Div. of Soler & Palau Ventilation Group, certifies that the Models KSF shown herein are licensed to bear the AMCA Seal. The ratings shown are based on test and procedures performed in accordance with AMCA Publication 211 and AMCA Publication 311 and comply with the requirement of the AMCA Certified Ratings Program.

DIMENSIONAL DATA								
Damper OD	Roof Opening	Curb OD	Curb Cap ID	A	B	C	D	Ship Wt
24	28	30-1/2	32	37-1/4	32-1/2	32	31-1/2	310

HP	CFM	OV	1/8 SP		1/4 SP		3/8 SP		1/2 SP		5/8 SP		3/4 SP		1 SP		1-1/4 SP		1-1/2 SP		2 SP		HP
			RPM	BHP	RPM	BHP	RPM	BHP	RPM	BHP	RPM	BHP	RPM	BHP	RPM	BHP	RPM	BHP	RPM	BHP	RPM	BHP	
1/4	1625	814	349	0.10																			
	2025	1014	396	0.16	464	0.21																	
	2425	1215	448	0.25	508	0.31	563	0.38	616	0.44													
1/3	2825	1415	501	0.36	556	0.44	605	0.51	652	0.59	698	0.66	743	0.75									
1/2	3230	1618	557	0.52	607	0.60	652	0.69	695	0.77	737	0.86	777	0.95									
3/4	3640	1824	615	0.72	661	0.81	703	0.91	743	1.01	781	1.10	817	1.20	889	1.39	959	1.60					
1	3840	1924	644	0.83	688	0.93	728	1.03	767	1.14	803	1.24	839	1.34	907	1.54	974	1.75					
	4045	2026	673	0.96	716	1.06	755	1.17	792	1.28	827	1.39	862	1.49	928	1.70	992	1.92	1055	2.15			
1-1/2	4245	2127	702	1.10	743	1.21	781	1.32	817	1.43	851	1.55	885	1.66	948	1.88	1010	2.11	1071	2.34			
	4445	2227	731	1.25	771	1.36	808	1.48	842	1.60	876	1.72	908	1.84	970	2.07	1029	2.30	1088	2.54			
2	4645	2327	760	1.42	799	1.54	834	1.65	868	1.78	901	1.90	932	2.03	992	2.27	1050	2.51	1106	2.76	1216	2.28	
	4850	2430	790	1.61	828	1.73	862	1.85	895	1.98	927	2.11	957	2.24	1015	2.49	1071	2.75	1126	3.00	1232	3.54	
3	5050	2530	820	1.81	856	1.93	890	2.05	922	2.19	952	2.32	982	2.46	1039	2.73	1093	2.99	1146	3.25	1249	3.80	
	5200	2605	842	1.96	877	2.09	910	2.22	942	2.35	972	2.49	1001	2.63	1057	2.91	1110	3.18	1162	3.45	1262	4.01	5
5	5400	2705	871	2.19	906	2.32	938	2.45	968	2.59	998	2.74	1026	2.88	1081	3.17	1133	3.45	1183	3.73	1280	4.31	
	5600	2805	901	2.43	934	2.56	966	2.70	996	2.85	1024	2.99	1052	3.14	1105	3.45	1156	3.74	1205	4.03	1300	4.62	
5	5800	2906	931	2.69	963	2.83	994	2.97	1023	3.12	1051	3.27	1078	3.43	1130	3.74	1180	4.05	1228	4.35	1320	4.96	
	6000	3006	961	2.97	992	3.11	1022	3.26	1050	3.41	1078	3.57	1104	3.72	1155	4.05	1204	4.37	1251	4.68			
5	6400	3206	1020	3.58	1050	3.73	1079	3.89	1106	4.05	1132	4.21	1157	4.38	1206	4.72							
	6800	3407	1080	4.28	1109	4.44	1136	4.60	1162	4.77	1187	4.94											
	7100	3557	1126	4.86	1153	5.02																	

Power ratings (BHP) do not include transmission losses. Performance certified is for installation type B-free inlet, ducted outlet. Performance ratings do not include the effects of appurtenances (accessories).

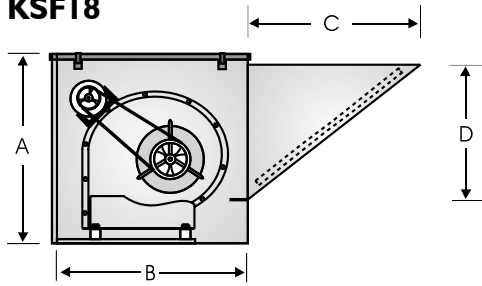
Sound Power Levels in Decibels										
RPM	SP	LW <sub>o-1</sub>	LW <sub>o-2</sub>	LW <sub>o-3</sub>	LW <sub>o-4</sub>	LW <sub>o-5</sub>	LW <sub>o-6</sub>	LW <sub>o-7</sub>	LW <sub>o-8</sub>	LW <sub>o-A</sub>
450	0.125	71	66	66	65	64	63	57	50	69
550	0.125	79	71	71	71	69	69	65	58	75
550	0.250	78	70	69	69	67	66	62	55	73
650	0.125	85	74	75	76	74	74	72	64	80
750	0.125	88	80	78	79	78	77	76	70	84
750	0.250	88	80	77	78	76	76	74	68	82
750	0.500	87	79	75	76	74	74	71	64	80
850	0.125	90	85	80	82	81	80	79	74	87
850	0.250	90	84	80	81	80	79	78	73	86
850	0.500	89	84	79	80	78	78	76	70	84
950	0.125	92	89	83	84	84	83	82	78	90
950	0.250	92	89	83	83	83	82	81	77	89
950	0.500	92	88	82	82	82	81	79	75	86
950	1.000	91	88	81	80	79	78	76	70	85
1050	0.125	94	93	85	86	86	85	85	81	92
1050	0.250	94	93	85	86	86	85	84	80	92
1050	0.500	94	92	84	85	85	83	83	79	90
1050	1.000	93	92	84	83	83	81	80	75	88
1150	1.000	95	95	86	85	86	84	83	79	91
1150	1.500	94	95	86	84	84	82	81	76	90

The sound power level ratings shown are in decibels referred to 10-12 watts calculated per AMCA Standard 301. The A-weighted sound ratings shown have been calculated per AMCA Standard 301. Values shown are for outlet Lwo sound power levels for: Installation Type-B: free inlet, ducted outlet. Ratings include the effects of duct end connection.



Soler & Palau USA, Div. of Soler & Palau Ventilation Group, certifies that the Models KSF shown herein are licensed to bear the AMCA Seal. The ratings shown are based on test and procedures performed in accordance with AMCA Publication 211 and AMCA Publication 311 and comply with the requirement of the AMCA Certified Ratings Program.

# KSF18



DIMENSIONAL DATA								
Damper OD	Roof Opening	Curb OD	Curb Cap ID	A	B	C	D	Ship Wt
27	32	34-5/8	36	41-1/4	36	35-1/2	35-1/2	350

Performance/Dimensional Data

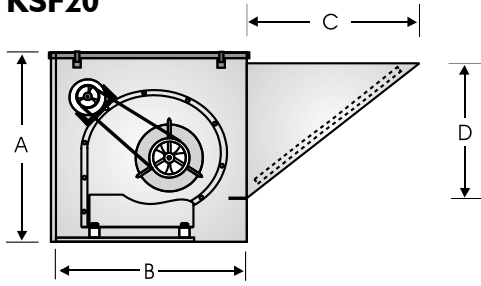
HP	CFM	OV	1/8 SP		1/4 SP		3/8 SP		1/2 SP		5/8 SP		3/4 SP		1 SP		1-1/4 SP		1-1/2 SP		2 SP		HP
			RPM	BHP	RPM	BHP	RPM	BHP	RPM	BHP	RPM	BHP	RPM	BHP	RPM	BHP	RPM	BHP	RPM	BHP	RPM	BHP	
1/4	2350	830	320	0.16																			
	2450	865	327	0.17																			
	2650	936	342	0.21	407	0.28																	
	2850	1006	358	0.24	420	0.32																	
1/3	3060	1081	375	0.29	434	0.37	487	0.47															
1/2	3575	1262	419	0.43	471	0.52	520	0.62	565	0.73													
3/4	4090	1444	465	0.6	511	0.71	556	0.83	598	0.94													
1	4600	1624	511	0.82	553	0.95	594	1.08	633	1.20	670	1.33											
	4850	1713	534	0.95	574	1.08	613	1.22	651	1.35	687	1.49	722	1.63									
1-1/2	5110	1804	559	1.10	597	1.24	634	1.38	670	1.52	705	1.66	739	1.80	802	2.11							
	5360	1893	583	1.25	619	1.40	655	1.54	689	1.69	723	1.84	756	1.99	818	2.30							
	5625	1986	608	1.43	643	1.58	677	1.74	710	1.89	743	2.05	774	2.20	835	2.52	891	2.87					
2	5875	2075	632	1.62	665	1.78	698	1.94	730	2.10	762	2.26	792	2.42	852	2.75	907	3.10					
	6130	2165	656	1.83	688	1.99	720	2.16	751	2.32	781	2.49	811	2.66	869	3.00	923	3.36	974	3.73			
	6380	2253	680	2.04	711	2.21	742	2.39	772	2.56	801	2.74	830	2.91	886	3.27	939	3.63	999	4.01			
3	6645	2646	706	2.29	736	2.47	765	2.65	794	2.83	822	3.01	850	3.20	905	3.56	957	3.94	1006	4.33			
	7150	2525	755	2.83	783	3.02	811	3.21	838	3.40	864	3.60	890	3.80	942	4.19	992	4.59	1040	4.99	1129	5.85	
5	7650	2701	840	3.43	830	3.64	856	3.84	882	4.05	907	4.26	931	4.47	980	4.89	1028	5.31	1074	5.74	1161	6.63	7-1/2
	8150	2878	854	4.12	878	4.34	902	4.56	926	4.78	950	5.00	974	5.22	1020	5.67	1065	6.12	1109	6.57	1194	7.49	
	8650	3054	903	4.90	926	5.13	949	5.36	972	5.59	994	5.83	1017	6.06	1060	6.54	1103	7.01	1146	7.49			
7-1/2	9152	3232	953	5.77	974	6.01	996	6.26	1078	6.50	1039	6.75	1060	7.00	1102	7.50							

Power ratings (BHP) do not include transmission losses. Performance certified is for installation type B-free inlet, ducted outlet. Performance ratings do not include the effects of appurtenances (accessories).

Sound Power Levels in Decibels										
RPM	SP	LWo-1	LWo-2	LWo-3	LWo-4	LWo-5	LWo-6	LWo-7	LWo-8	LWo-A
400	0.125	68	66	68	67	66	62	57	51	70
500	0.125	77	72	73	73	72	70	65	60	77
500	0.250	75	70	71	71	70	68	62	56	75
600	0.125	84	77	77	78	77	76	71	66	82
600	0.250	82	75	76	77	75	74	69	64	81
600	0.500	79	72	73	75	72	71	66	59	77
700	0.125	89	80	80	82	81	81	76	71	86
700	0.250	88	79	79	81	80	79	75	70	85
700	0.500	86	77	78	80	77	77	72	66	83
800	0.125	91	85	83	85	84	84	81	75	90
800	0.250	91	84	82	84	83	83	79	74	89
800	0.500	89	83	81	83	82	81	77	72	87
900	0.125	94	90	86	87	87	87	84	79	93
900	0.250	93	89	85	87	87	86	83	78	92
900	0.500	92	88	84	86	85	84	82	76	91
900	1.000	89	85	82	84	83	82	78	73	88
1000	0.500	94	92	87	88	88	87	85	80	94
1000	1.000	92	90	85	86	86	85	83	77	91
1000	1.500	90	88	83	85	84	83	80	74	89
1100	1.500	93	92	86	87	88	86	84	79	93

The sound power level ratings shown are in decibels referred to 10-12 watts calculated per AMCA Standard 301. The A-weighted sound ratings shown have been calculated per AMCA Standard 301. Values shown are for outlet Lwo sound power levels for: Installation Type-B: free inlet, ducted outlet. Ratings include the effects of duct end connection.

# KSF20



Soler & Palau USA, Div. of Soler & Palau Ventilation Group, certifies that the Models KSF shown herein are licensed to bear the AMCA Seal. The ratings shown are based on test and procedures performed in accordance with AMCA Publication 211 and AMCA Publication 311 and comply with the requirement of the AMCA Certified Ratings Program.

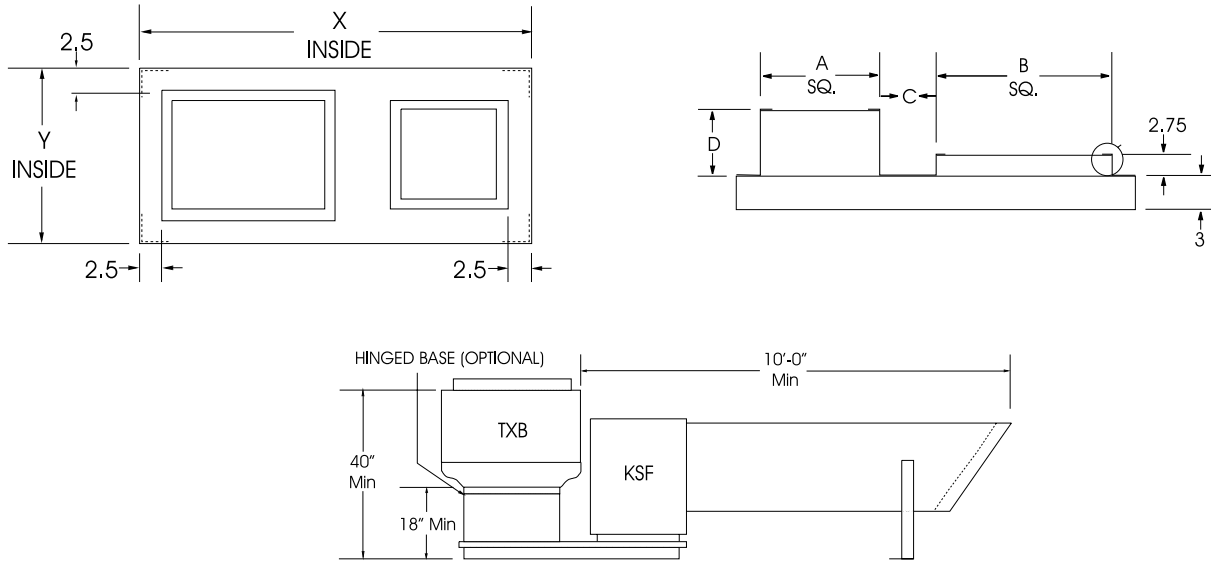
DIMENSIONAL DATA								
Damper OD	Roof Opening	Curb OD	Curb Cap ID	A	B	C	D	Ship Wt
42	46-1/2	49	51	49-1/4	51	40	35	650

HP	CFM	OV	1/8 SP		1/4 SP		3/8 SP		1/2 SP		5/8 SP		3/4 SP		1 SP		1-1/4 SP		1-1/2 SP		2 SP		HP
			RPM	BHP	RPM	BHP	RPM	BHP	RPM	BHP	RPM	BHP	RPM	BHP	RPM	BHP	RPM	BHP	RPM	BHP	RPM	BHP	
1/4	2800	724	230	0.15																			
	3200	827	245	0.20																			
1/3	3600	931	262	0.26	313	0.35	363	0.46															
	4000	1034	279	0.34	326	0.44	372	0.54	416	0.66													
1/2	4400	1138	298	0.43	341	0.54	383	0.65	424	0.77	464	0.90											
3/4	4800	1241	316	0.53	358	0.65	396	0.77	434	0.89	472	1.03	508	1.18									
	5200	1345	334	0.65	375	0.78	411	0.91	446	1.04	481	1.18	515	1.33									
	5500	1422	348	0.75	388	0.90	422	1.03	456	1.17	489	1.31	522	1.46	586	1.80							
1	5800	1500	362	0.86	402	1.02	435	1.16	466	1.30	498	1.45	529	1.60	591	1.94							
	6100	1577	377	0.98	415	1.15	447	1.30	478	1.45	508	1.60	538	1.76	597	2.10	654	2.48					
1-1/2	6400	1655	392	1.11	429	1.30	460	1.46	490	1.61	518	1.77	547	1.93	604	2.28	659	2.66					
	6700	1733	406	1.26	443	1.45	474	1.63	502	1.79	529	1.95	557	2.12	611	2.47	665	2.86					
	7000	1810	421	1.42	456	1.62	487	1.81	515	1.98	541	2.15	568	2.32	620	2.68	671	3.07	722	3.49			
2	7300	1888	437	1.59	470	1.79	501	2.00	528	2.18	553	2.36	579	2.54	629	2.90	679	3.30	728	3.72			
	7600	1965	452	1.78	484	1.99	515	2.21	541	2.40	566	2.58	599	2.77	639	3.15	686	3.54	734	3.97			
	7900	2043	467	1.99	498	2.20	528	2.43	554	2.63	579	2.83	602	3.02	649	3.41	695	3.81	741	4.24			
3	8200	2120	483	2.21	512	2.42	542	2.66	568	2.88	592	3.08	615	3.28	660	3.68	704	4.10	749	4.53	836	5.49	
	8800	2276	514	2.69	541	2.92	569	3.17	596	3.42	618	3.64	640	3.86	682	4.29	724	4.73	766	5.17	848	6.15	7-1/2
5	9400	2431	546	3.25	571	3.48	597	3.75	622	4.02	646	4.28	667	4.51	707	4.97	746	5.43	785	5.90	863	6.88	
	10000	2586	578	3.89	601	4.13	625	4.40	650	4.68	673	4.98	694	5.23	732	5.73	769	6.22	806	6.71	879	7.72	10
7-1/2	12000	3103	685	6.61	704	6.87	724	7.17	744	7.49	764	7.83	784	8.18	822	8.85	855	9.45	886	10.04			

Power ratings (BHP) do not include transmission losses. Performance certified is for installation type B-free inlet, ducted outlet. Performance ratings do not include the effects of appurtenances (accessories).

Sound Power Levels in Decibels										
RPM	SP	LW <sub>o-1</sub>	LW <sub>o-2</sub>	LW <sub>o-3</sub>	LW <sub>o-4</sub>	LW <sub>o-5</sub>	LW <sub>o-6</sub>	LW <sub>o-7</sub>	LW <sub>o-8</sub>	LW <sub>o-A</sub>
200	0.125	56	55	54	53	47	40	35	29	53
300	0.125	69	68	67	67	65	59	53	47	59
300	0.250	65	64	63	63	61	53	47	42	65
400	0.125	78	77	76	75	74	71	65	58	78
400	0.250	76	74	73	73	72	67	61	55	76
400	0.500	72	71	70	69	68	62	56	50	72
500	0.125	85	83	82	81	80	79	72	66	85
500	0.250	83	81	80	79	79	77	70	64	83
500	0.500	80	78	77	77	76	73	66	60	80
600	0.125	89	88	87	85	85	84	79	73	90
600	0.250	88	87	86	84	84	83	77	71	89
600	0.500	86	84	83	82	82	81	74	68	87
600	1.000	82	80	79	79	78	76	68	62	82
700	0.125	92	92	91	89	88	88	84	78	94
700	0.250	91	91	90	89	88	87	83	77	93
700	0.500	90	89	88	87	86	86	81	74	92
700	1.000	86	86	85	84	84	82	76	70	88
700	1.500	85	84	83	82	82	80	73	67	86
800	1.000	90	91	89	89	88	87	83	76	93
800	1.500	88	88	86.8	86	86	84	79	72	91

The sound power level ratings shown are in decibels referred to 10-12 watts calculated per AMCA Standard 301. The A-weighted sound ratings shown have been calculated per AMCA Standard 301. Values shown are for outlet Lwo sound power levels for: Installation Type-B: free inlet, ducted outlet. Ratings include the effects of duct end connection.



**TYPICAL INSTALLATION**

NFPA96 requires a 10 foot minimum distance between the exhaust fan and supply fan intake. The intake extension (optional) provides this clearance. Also required are hinged curb caps on the exhaust fan and some areas require a vented curb extension.

**NFPA96 ALTERNATE INSTALLATION**

Where space limitations absolutely prevent a 10 foot separation from the air intake, a vertical separation may be permitted with the exhaust outlet being a minimum of 3 feet above any air intake located within 10 feet horizontally.

**IMPORTANT:** Always check with the authority having jurisdiction to verify local codes and requirements.

**COMMON CURB AND ADAPTOR**

The common curb and adaptor allows for mounting both the exhaust fan and supply fans onto one roof opening. Follow the chart below for sizing and ordering common curbs and adaptors.

**Common Curb Adaptor**

MODEL		STOCK NO. 8" HIGH COMMON CURB	COMMON CURB L x W OD	STOCK NO. CURB CAP ADAPTOR	CURB CAP ADAPTOR X x Y OD	CURB CAP OPENING	
TXB	KSF					EXHAUST FAN OUTLET A Sq	SUPPLY FAN OUTLET B Sq
8/10	9	2302BC10X9	55-3/4 x 27-1/2	2302BA10X9	56-3/4 x 29	16	23-3/4
12	9	2302BC12X9	59-1/4 x 27-1/2	2302BA12X9	60-3/4 x 29	23-1/2	23-3/4
15/16	10	2302BC15X10	65 x 31-1/4	2302BA15X10	66-1/2 x 32-3/4	23-1/2	27-3/4
15/16	12	2302BC15X12	69 x 35-1/4	2302BA15X12	70-1/4 x 36-3/4	23-1/2	31-3/4
15/16	15	2302BC15X15	69 x 35-1/4	2302BA15X15	70-1/4 x 36-3/4	23-1/2	31-3/4
18	12	2302BC18X12	74-1/2 x 35-1/4	2302BA18X12	76 x 36-3/4	29	31-3/4
18	15	2302BC18X15	74-1/2 x 35-1/4	2302BA18X15	76 x 36-3/4	29	31-3/4
20	12	2302BC20X12	74-1/2 x 35-1/4	2302BA20X12	76 x 36-3/4	29	31-3/4
20	15	2302BC20X15	74-1/2 x 35-1/4	2302BA20X15	76 x 36-3/4	29	31-3/4
24	15	2302BC24X15	82-1/2 x 38-1/2	2302BA24X15	84 x 40	35	31-3/4
24	18	2302BC24X18	86-1/2 x 39-1/4	2302BA24X18	88 x 40-3/4	35	35-3/4
30	18	2302BC30X18	94-1/2 x 45-3/4	2302BA30X18	96 x 47-1/4	42	35-3/4
30	20	2302BC30X20	108-1/2 x 54-1/4	2302BA30X20	110 x 55-3/4	42	50-1/4
36	20	2302BC36X20	113-1/2 x 54-1/4	2302BA36X20	115 x 55-3/4	42	50-1/4



**Commercial Kitchen Ventilation For Grease Laden Air**

Model TXB-UL762 belt drive fans are roof mounted centrifugal upblast exhausters rated from 250 to 35,000 CFM with static pressure capabilities to 3-1/4 inches. Soler & Palau USA offers the widest horsepower and CFM selection in the industry. All fans are factory test run for quality assurance.

The TXB-UL762 was designed with serviceability in mind. The motor compartment can be serviced through the removable top or the motor housing can be removed by loosening four nuts. Soler & Palau USA's optional "Grease Grabber" is an inexpensive and easy solution to grease containment.

All TXB-UL762 fans are designed and manufactured for high performance and long life. Soler & Palau USA offers the TXB-UL762 with a 1 year fan warranty and a 1 year motor warranty.

**Construction/Specification Checklist**

**Housing**

- Curb cap with integral deep single piece spun inlet for efficient performance and prevention of leakage into ductwork.
- Adjustable motor base for proper belt tension and ease of adjustment.
- Enclosed, ventilated motor/drive compartment isolates motor and drives from exhaust air.
- The motor compartment housing easily removes with a minimum of tools for complete maintenance access.
- Water-tight conduit tube for easy electrical connection without having to wire through the breather tube.

**Centrifugal Wheel**

- Backward inclined for efficiency at higher static pressure.
- Nonoverloading for safe operation in ducted systems.
- Heavy aluminum hub for extra strength.
- Close running tolerance between inlet cone and wheel inlet for maximum efficiency.
- Statically and dynamically balanced for smooth, quiet operation.

**Motors**

- Brands are nationally recognized and locally serviced.
- Single speed drip-proof motors are provided on standard models.
- All motors are rated for continuous duty.

**Drives**

- Sized for minimum 150% of drive horsepower.
- Machined cast iron adjustable motor pulleys.
- Adjustable base for belt tensioning.

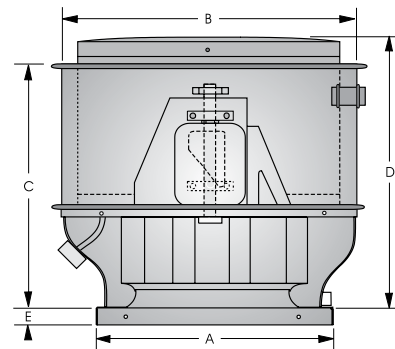
**Bearings**

- 1 year bearing warranty.
- Heavy-duty ball bearing type.
- Prelubricated and permanently sealed.
- Sized for a minimum L50 life in excess of 200,000 hours.

**Certifications**

- AMCA Air and Sound Licensed.
- cULus Listed, Standard 762 Listed for Restaurant Exhaust Appliance available for applications where required.
- cULus Listed Standard 705 assures electrical reliability for Canadian use.

**Note:** Fans with 5HP and larger motors may have motors shipped separately.



Size	Dimensions (Inches)							
	A	B	C	D	E	Roof Opening	Pre-fab Curb O.D.	
8/10	16-1/2	27-1/2	24/26	27/29	2	11-3/4	14-3/4	
12/15/16	24	31-1/2	26	29	2-1/2	19-1/4	22-3/4	
18/20	29-1/2	37-3/4	28-1/2	32	2-1/2	24-3/4	27-3/4	
24	35-1/2	47-1/4	32	42	2-1/2	30-3/4	33-3/4	
30	42-1/2	56-3/4	41	45	2-1/2	37-3/4	40-3/4	
36	42-1/2	66	44	48	2-1/2	37-3/4	40-3/4	
42	55	72-1/2	48	52	2-1/2	50-1/4	53-3/4	
48	55	78-3/4	52	56	2-1/2	50-1/4	53-3/4	



# Additional Products

Soler & Palau USA manufactures a complete line of gravity ventilators and fans for all your ventilation requirements.



**MODEL DB**  
Backward Inclined  
Belt Drive  
Centrifugal Roof Exhaust



**MODEL RED**  
Backward Inclined  
Direct Drive  
Centrifugal Roof Exhaust



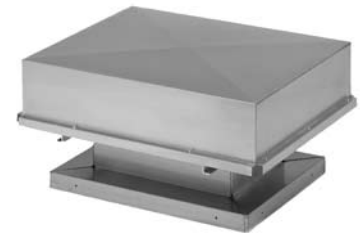
**MODEL SQB/SQD**  
Backward Inclined  
Belt Drive/Direct Drive  
Square Inline



**MODEL UBB/UBX/UBS**  
Propeller  
Belt and Direct Drive  
Upblast Roof Exhaust



**MODEL L**  
Propeller  
Belt Drive  
Sidewall Exhaust or Supply



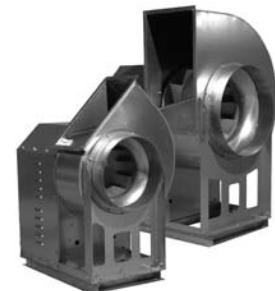
**MODEL BGH**  
Gravity Hood  
Intake or Relief



**MODEL KSF**  
Forward Curved Blower  
Belt Drive  
Filtered Roof Supply



**MODEL TXB/TXD**  
Backward Inclined  
Belt Drive/Direct Drive  
Centrifugal Upblast



**MODEL BVS**  
Backward Inclined  
Belt Drive  
Centrifugal Utility Set

DUE TO CONTINUING RESEARCH SOLER & PALAU USA RESERVES THE RIGHT TO CHANGE SPECIFICATIONS WITHOUT NOTICE

Distributed By:



Soler & Palau USA  
6393 Powers Avenue  
Jacksonville, FL 32217  
800.961.7370  
800.961.7379  
[www.solerpalau-usa.com](http://www.solerpalau-usa.com)