

# DB Downblast Centrifugal Roof Exhausters

Belt Drive

Catalog DB02-September 2008



The World's Leading Producer of  
**Air Movement Products**



Soler & Palau USA, Div. of Soler & Palau Ventilation Group, certifies that the Models DB shown herein are licensed to bear the AMCA Seal. The ratings shown are based on test and procedures performed in accordance with AMCA Publication 211 and AMCA Publication 311 and comply with the requirement of the AMCA Certified Ratings Program.

Soler&Palau  Ventilation Group

COMMERCIAL PRODUCT LINE

## Application

Model DB belt drive units are roof mounted centrifugal exhausters rated from 230 to over 28,000 CFM, with static pressure capabilities to 1-1/4". They are used for the exhaust of relatively clean air from a wide range of commercial, industrial and institutional environments such as manufacturing and assembly plants, office buildings, schools, hospitals, restaurants, athletic facilities and many others.

Soler & Palau USA covers the DB with a 5 year warranty and a 1 year motor warranty. The nonoverloading backward inclined wheel with its higher static pressure capability makes this unit suitable for either ducted or nonducted applications. Its roof mounting permits location near the area to be ventilated, allowing short duct runs and more efficient operation.

The aluminum exterior provides an attractive appearance. Belt drive results in lower operating RPM and sound levels, making the Model DB well suited to applications where quiet operation is important. Belt drive also permits easy performance adjustments when needed to balance the total ventilation system.

## Construction/Specification Checklist

### Housing

- Curb cap with integral deep spun inlet for efficient performance.
- Heavy-gauge aluminum for extra strength.
- Designed for maximum weather protection and attractive appearance.
- Heavy-gauge motor support for rigidity and strength.
- Neoprene isolators for reduction of vibration and sound.
- Cover easily removed for quick access to motor compartment.
- Water tight conduit tube for easy electrical connection from below roof.
- Aluminum birdscreen and disconnect are included on standard models (Disconnect not included with explosion proof or two speed units).
- Stainless steel fasteners on exterior.

### Centrifugal Wheel

- All aluminum wheel.
- Backward inclined for efficiency at higher static pressure.
- Nonoverloading for safe operation in ducted systems.
- Tapered blades for efficiency and quiet operation.
- Heavy aluminum hub for extra strength.
- Statically and dynamically balanced for smooth operation.

### Motors

- 1 year warranty.
- Brands are nationally recognized and locally serviced.
- Single speed open drip-proof are standard.
- Explosion-proof, totally enclosed and two-speed motors are available.
- All motors are rated for continuous duty.
- 182T and larger motors shipped unmounted for field installation.
- Disconnect switch standard (Except explosion proof and two speed).

### Drives

- Sized for minimum 150% of drive horsepower.
- Machined cast iron adjustable motor pulleys.
- Adjustable base for belt tensioning.
- Non-static oil resistant V-Belts.

### Bearings

- Heavy duty ball bearing type.
- Pre-lubricated and permanently sealed.
- 5 year warranty.

### AMCA Seal

- Assures accuracy of Air and Sound Performance.
- Computerized Selection Program.
- Allows best selection for your job requirement.

### cULus Label

- cULus 705 listing assures electrical safety and reliability.
- cULus 705 must be specified when required.

## Options/Accessories

**Roof Curb:** Prefabricated insulated heavy-gauge galvanized steel welded construction, 12" high with 1-1/2" wood nailer. Assures perfect fit of exhauster to roof curb. Options include burglar bars, single and double pitch construction and additional curb heights.

**Sound Curb:** Option of thermal acoustical lining or a complete maximum sound attenuating baffle system. Provision for mounting damper is available. Contact factory for information regarding effect on exhauster air performance and sound level.

**Motor Operated Damper:** Motor operated for positive closure against backdraft.

**Automatic Damper:** Automatic aluminum damper for ease in installation and effective backdraft protection.

**Companion Gravity Units:** Model RCX-II comes in a wide range of sizes and air capacities to provide relief or intake air to the system. Curbs and dampers are available to fit all sizes. Spun aluminum hoods provide a pleasing appearance, complementing the Model DB exhauster.

**Epoxy Finish:** For use in an alkaline type atmosphere (not for use in acetic and nitric acids). Epoxy forms an excellent hard, heavy film barrier against chemical attack as well as physical damage from direct impact and abrasion.

**Special Coatings:** Heresite and Eisenheiss are available when specified.

## Optimizer Selection Program

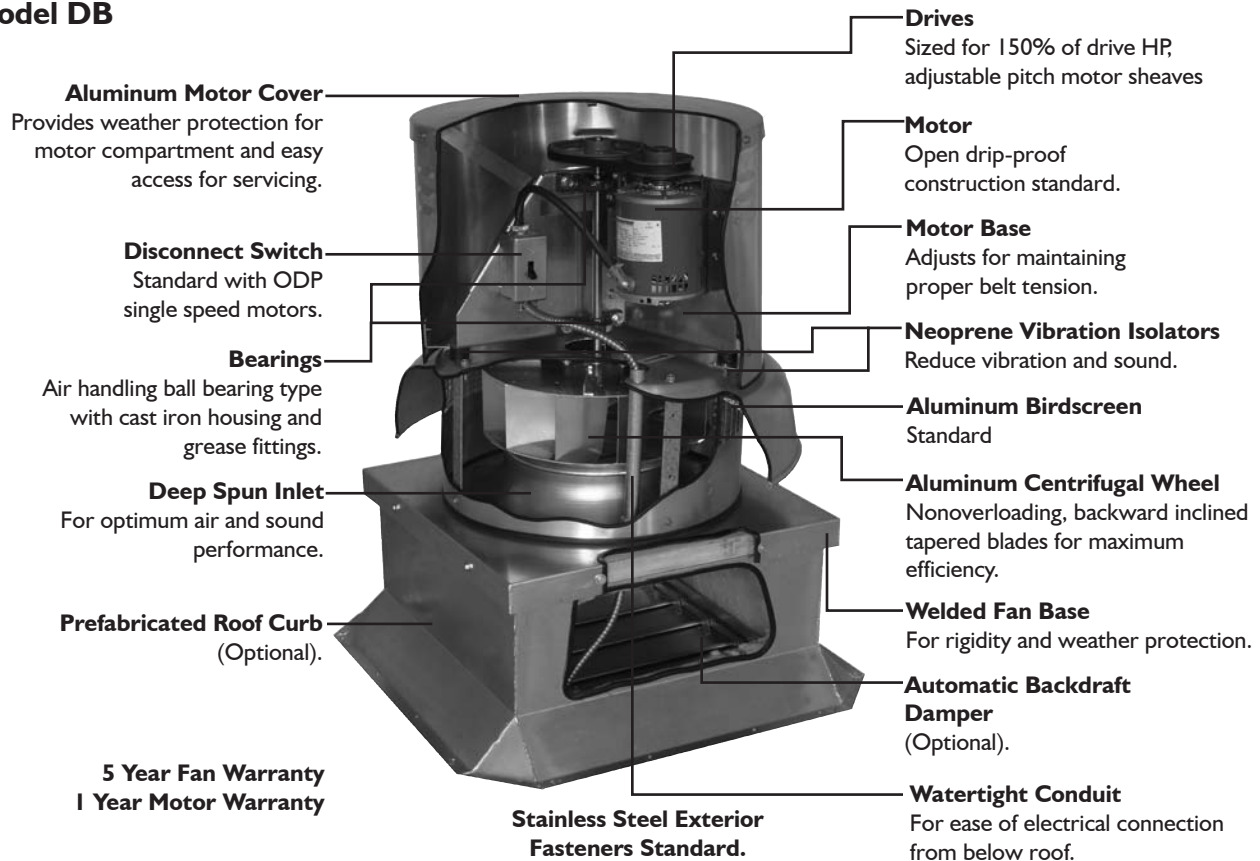
Please refer to Soler & Palau USA's Optimizer Program for fan curve, submittal information and other details of the DB series and other S&P products. Contact your representative or factory for a copy. Visit Soler & Palau's website for additional information: [www.solerpalau-usa.com](http://www.solerpalau-usa.com).

## Quickship Program

Most DB Models and many optional accessories are available on the Quickship Program. This program provides rapid delivery of standard products so that tight project deadlines can be met and downtime on replacement work can be held to a minimum.

All specifications are subject to change without notice unless approved in submittal by Soler & Palau USA.

## Model DB



## Typical Specifications

Roof exhauster fan shall be centrifugal belt drive type. Unit shall be constructed of aluminum for durability and appearance. Fan skirts shall have a rolled bead edge for rigidity. Units shall have a deep venturi inlet to prevent against snow and rain entry into the building. Birdscreen and wind band shall be integral, all aluminum and easily removable. Fan wheels shall be of the centrifugal backward inclined type, constructed of all aluminum (galvanized backplate not acceptable) and containing a matching inlet venturi for optimum unit performance. Wheels shall be statically and dynamically balanced. Motor assembly shall be isolated from unit to eliminate vibration and noise transmission. Exterior fasteners shall be stainless steel.

Motor and wheel assemblies shall be removable as a complete module without complete disassembly of the unit for service and maintenance. Motors shall be mounted out of the exhaust airstream and cooled by air isolated from the exhaust. Fan shafts shall be precision ground and polished. Shafts should not be pressed onto bearings. Bearings shall be of the one-piece, cast-iron, pillow block type with zerk fittings. Bearings shall be designed for service with a minimum L50 life in excess of 200,000 hours.

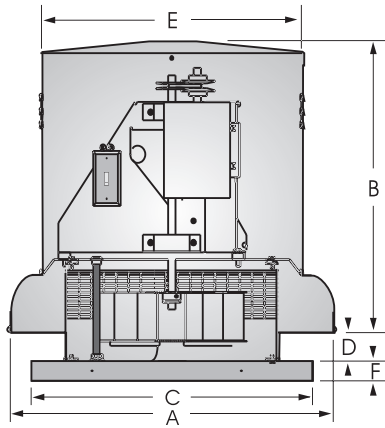
Drive support assembly shall be constructed of heavy-gauge galvanized steel and contain no welding. Drives shall be sized for a minimum of 150% of driven horsepower. Machined, cast-iron motor sheaves shall be adjustable for final system balance. Fans shall be Model DB as manufactured by **Soler & Palau USA**, Jacksonville, Florida.

## SOLER & PALAU USA LIMITED WARRANTY

**Soler & Palau USA** (manufacturer), 6393 Powers Avenue, Jacksonville, Florida 32217, warrants the DB to be free from defects in design, materials and workmanship (exclusive of abrasion, corrosion or erosion) for five (5) years from the date of shipment to the original purchaser or the date of notification of readiness to ship. Motor warranty is one (1) year. In order to claim the benefit of this warranty, buyer must notify manufacturer in writing of the claimed defect within ten (10) days after discovering it and return this equipment or parts to the factory with transportation prepaid. In the event of on-site repair, no service technician will be dispatched until manufacturer receives your written purchase order. If any of the following conditions exist, the warranty will be null and void: **(1)** Buyer has permitted other persons not approved or authorized by manufacturer to alter, adjust, replace or repair the equipment or any part thereof. **(2)** Buyer has not followed instructions or other directions given in the contract documents or our maintenance manual. **(3)** When breakage or other loss or damage is the result of any negligence, misuse or fault on the part of any operator or other person not under our supervision or control. **(4)** The defect is the result of designs or drawings made, furnished or specified by others. **(5)** In the case of goods not manufactured but supplied by the manufacturer as part of a contract, manufacturer shall only be liable to the same extent that our supplier is to manufacturer, not to exceed any liability manufacturer would have for warranty on our own equipment. **(6)** Buyer has not paid in full any invoices submitted to buyer which are due for payment. **(7)** Unusual wear and tear of the equipment. Statements relating to the product, its use or installation made prior to the execution of the agreement, are not warranties except to the extent that the contrary is expressly set forth herein. It is understood that such statements were not intended to, and did not, form a part of the agreement; they were merely made in the course of negotiations of the parties. **THIS WARRANTY IS IN LIEU OF ANY OTHER EXPRESS OR IMPLIED WARRANTIES, INCLUDING ANY IMPLIED WARRANTY OF MERCHANTABILITY OR FITNESS FOR ANY PARTICULAR PURPOSE. OUR SOLE AND EXCLUSIVE OBLIGATION UNDER THIS WARRANTY IS TO REPAIR OR REPLACE DEFECTIVE EQUIPMENT OR PARTS OR, AT OUR OPTION, TO PAY THE REASONABLE COST OF REPAIR OR REPLACEMENT. BUYER AGREES THAT NO OTHER REMEDY (INCLUDING, BUT NOT LIMITED TO, INCIDENTAL OR CONSEQUENTIAL DAMAGES, DAMAGES FOR LOST PROFITS OR SALES, OR DAMAGES FOR INJURIES TO PERSON OR PROPERTY) SHALL BE AVAILABLE. NOTWITHSTANDING THE ABOVE, THE TOTAL AMOUNT THAT MAY IN ANY EVENT BE PAYABLE IN SETTLEMENT OF LIABILITY, HOWEVER INCURRED, SHALL NOT EXCEED THE CONTRACT PRICE.**



# Performance/Dimensional Data



Dimensional Data										
Damper OD	Roof Opening	Curb OD	A	B	C	D	E	F	Fan Wt	Ship Wt
11	11-1/2	14-3/4	20 -1/2	17-1/2	16-1/2	3-1/2	16-1/8	1-3/4	43	80

## SIZE 6

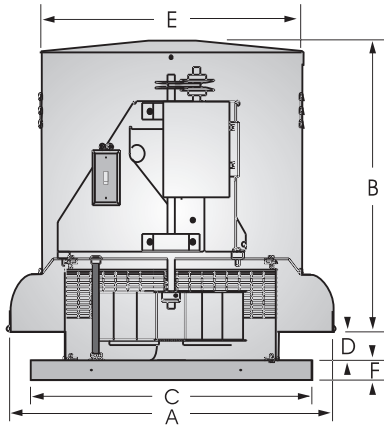
DB6	CFM / BHP @ Static Pressure / Sones										Catalog Number	Drive Range	RPM	HP	Tip Speed
	0	1/8	1/4	3/8	1/2	5/8	3/4	7/8	1	1-1/4					
	230	108	-	-	-	-	-	-	-	-	601	DP1	700	1/4	2058
	.01/1.3	.01/0.7	-	-	-	-	-	-	-	-	602		750	1/4	2205
	246	140	-	-	-	-	-	-	-	-	603		800	1/4	2352
	.02/1.7	.02/1.1	-	-	-	-	-	-	-	-	604		850	1/4	2500
	263	166	-	-	-	-	-	-	-	-	605		900	1/4	2647
	.02/2.1	.02/1.5	-	-	-	-	-	-	-	-	606		950	1/4	2794
	279	190	-	-	-	-	-	-	-	-	607		1000	1/4	2941
	.02/2.5	.02/1.9	-	-	-	-	-	-	-	-	608		1050	1/4	3088
	295	213	-	-	-	-	-	-	-	-	609		1100	1/4	3235
	.03/2.9	.03/2.3	-	-	-	-	-	-	-	-	610		1150	1/4	3382
	312	236	122	-	-	-	-	-	-	-	611	1200	1/4	3529	
	.03/3.3	.03/2.8	.03/2.2	-	-	-	-	-	-	-	612	1250	1/4	3676	
	328	257	160	-	-	-	-	-	-	-	613	1300	1/4	3823	
	.04/3.6	.04/3.1	.04/2.6	-	-	-	-	-	-	-	614	1350	1/4	3970	
	345	278	192	-	-	-	-	-	-	-	615	1400	1/4	4117	
	.04/4.0	.04/3.5	.04/3.0	-	-	-	-	-	-	-	616	1450	1/4	4264	
	361	298	219	-	-	-	-	-	-	-	617	1500	1/4	4411	
	.05/4.3	.05/3.8	.05/3.4	-	-	-	-	-	-	-	618	1550	1/4	4558	
	377	318	244	137	-	-	-	-	-	-	619	1600	1/4	4705	
	.06/4.7	.06/4.2	.06/3.8	.05/3.3	-	-	-	-	-	-	620	1650	1/4	4852	
	394	337	268	178	-	-	-	-	-	-	621	1700	1/4	4999	
	.06/5.2	.06/4.7	.07/4.3	.06/3.8	-	-	-	-	-	-	622	1750	1/4	5146	
	410	356	291	213	-	-	-	-	-	-					
	.07/5.6	.07/5.2	.07/4.8	.07/4.3	-	-	-	-	-	-					
	427	375	314	243	131	-	-	-	-	-					
	.08/6.1	.08/5.6	.08/5.2	.08/4.8	.07/4.3	-	-	-	-	-					
	443	394	336	269	178	-	-	-	-	-					
	.09/6.5	.09/6.1	.09/5.7	.09/5.3	.09/4.8	-	-	-	-	-					
	459	412	358	295	217	-	-	-	-	-					
	.10/7.0	.10/6.6	.10/6.2	.10/5.8	.10/5.3	-	-	-	-	-					
	476	431	379	319	250	143	-	-	-	-					
	.11/7.5	.11/7.1	.11/6.7	.11/6.3	.11/5.8	.10/5.4	-	-	-	-					
	492	449	399	342	279	191	-	-	-	-					
	.12/8.0	.12/7.6	.13/7.2	.13/6.8	.13/6.4	.12/6.0	-	-	-	-					
	509	467	420	365	307	231	115	-	-	-					
	.13/8.5	.14/8.1	.14/7.7	.14/7.3	.14/6.9	.13/6.5	.12/6.1	-	-	-					
	525	485	439	388	332	266	169	-	-	-					
	.15/9.0	.15/8.6	.15/8.2	.15/7.9	.15/7.5	.15/7.0	.14/6.6	-	-	-					
	541	503	459	410	356	297	215	-	-	-					
	.16/9.6	.17/9.2	.17/8.8	.17/8.4	.17/8.0	.17/7.6	.16/7.2	-	-	-					
	558	521	478	432	380	325	255	153	-	-					
	.18/10.1	.18/9.7	.18/9.4	.18/9.0	.18/8.6	.18/8.2	.18/7.8	.16/7.4	-	-					
	574	539	497	453	403	352	289	203	-	-					
	.19/10.7	.20/10.3	.20/9.9	.20/9.6	.20/9.2	.20/8.8	.20/8.4	.19/8.0	-	-					

Power Ratings (BHP) does not include drive losses.  
 Performance certified is for installation type A - free inlet, free outlet.  
 Performance ratings include the effects of birdscreen in the airstream.  
 The sound ratings shown are loudness values in fan sones @ 5' (1.5m) in a hemispherical free field calculated per AMCA Standard 301. Values shown are for free inlet fan sone levels.



Soler & Palau USA, Div. of Soler & Palau Ventilation Group, certifies that the Models DB shown herein are licensed to bear the AMCA Seal. The ratings shown are based on test and procedures performed in accordance with AMCA Publication 211 and AMCA Publication 311 and comply with the requirement of the AMCA Certified Ratings Program.





Dimensional Data										
Damper OD	Roof Opening	Curb OD	A	B	C	D	E	F	Fan Wt	Ship Wt
11	11-1/2	14-3/4	20-1/2	17-1/2	16-1/2	3-1/2	16-1/8	1-3/4	42	80

### SIZE 8

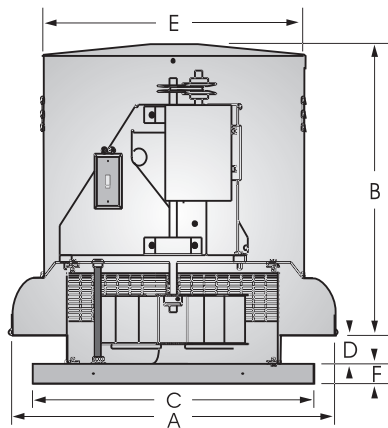
DB8	CFM / BHP @ Static Pressure / Sones										Drive Range	RPM	HP	Tip Speed	
	0	1/8	1/4	3/8	1/2	5/8	3/4	7/8	1	1-1/4					Catalog Number
	478 .01/1.9	-	-	-	-	-	-	-	-	-	801	DP1	650	1/4	1911
	508 .01/2.2	252 .02/1.2	-	-	-	-	-	-	-	-	802		690	1/4	2029
	552 .02/2.8	338 .02/1.7	-	-	-	-	-	-	-	-	803		750	1/4	2205
	596 .02/3.3	408 .03/2.2	-	-	-	-	-	-	-	-	804		810	1/4	2382
	640 .03/3.8	470 .03/2.8	-	-	-	-	-	-	-	-	805		870	1/4	2558
	684 .04/4.4	528 .04/3.4	266 .04/2.7	-	-	-	-	-	-	-	806		930	1/4	2735
	728 .04/4.9	586 .05/4.0	380 .05/3.2	-	-	-	-	-	-	-	807		990	1/4	2911
	772 .05/5.4	643 .06/4.5	465 .06/3.8	-	-	-	-	-	-	-	808		1050	1/4	3088
	816 .06/5.9	696 .07/5.2	538 .07/4.4	249 .06/3.8	-	-	-	-	-	-	809		1110	1/4	3264
	861 .07/6.5	747 .08/5.8	604 .08/5.1	391 .08/4.4	-	-	-	-	-	-	810		1170	1/4	3441
	905 .08/7.0	798 .09/6.4	664 .10/5.8	492 .09/5.1	-	-	-	-	-	-	811	1230	1/4	3617	
	949 .09/7.6	847 .10/7.0	723 .11/6.4	575 .11/5.8	312 .10/5.1	-	-	-	-	-	812	1290	1/4	3793	
	993 .11/8.3	896 .12/7.6	781 .12/7.1	648 .13/6.5	450 .12/5.8	-	-	-	-	-	813	1350	1/4	3970	
	1037 .12/8.9	945 .13/8.3	839 .14/7.7	715 .14/7.2	553 .14/6.5	249 .12/6.0	-	-	-	-	814	1410	1/4	4146	
	1081 .14/9.5	994 .15/9.0	895 .16/8.4	777 .16/7.8	638 .16/7.2	420 .15/6.7	-	-	-	-	815	1470	1/4	4323	
	1125 .16/10.3	1041 .17/9.6	949 .18/9.1	837 .18/8.6	714 .18/8.0	542 .18/7.4	-	-	-	-	816	1530	1/4	4499	
	1170 .18/11.0	1089 .19/10.4	1001 .20/9.8	895 .20/9.3	783 .21/8.7	639 .20/8.1	409 .18/7.5	-	-	-	817	1590	1/4	4676	
	1214 .20/11.7	1136 .21/11.1	1053 .22/10.6	953 .23/10.0	849 .23/9.5	722 .23/8.9	545 .22/8.3	-	-	-	818	1650	1/4	4852	
	1250 .22/12.4	1176 .23/11.8	1095 .24/11.2	1002 .25/10.7	900 .25/10.2	785 .25/9.5	634 .25/8.9	394 .22/8.4	-	-	819	1700	1/4	4999	
	1295 .24/13.1	1223 .25/12.6	1145 .26/12.0	1059 .27/11.4	960 .28/10.9	856 .28/10.4	726 .28/9.7	543 .26/9.2	-	-	820	1760	1/3	5175	
	1339 .27/13.9	1269 .28/13.3	1195 .29/12.8	1114 .30/12.3	1018 .31/11.7	922 .31/11.2	807 .31/10.6	658 .30/10.0	429 .27/9.5	-	821	1820	1/3	5352	
	1375 .29/14.5	1308 .30/14.0	1236 .32/13.4	1159 .32/13.0	1066 .33/12.5	975 .33/12.0	870 .33/11.3	739 .33/10.7	555 .31/10.2	-	822	1870	1/3	5499	

Power Ratings (BHP) does not include drive losses.  
 Performance certified is for installation type A - free inlet, free outlet.  
 Performance ratings include the effects of birdscreen in the airstream.  
 The sound ratings shown are loudness values in fan sones @ 5' (1.5m) in a hemispherical free field calculated per AMCA Standard 301. Values shown are for free inlet fan sone levels.



Soler & Palau USA, Div. of Soler & Palau Ventilation Group, certifies that the Models DB shown herein are licensed to bear the AMCA Seal. The ratings shown are based on test and procedures performed in accordance with AMCA Publication 211 and AMCA Publication 311 and comply with the requirement of the AMCA Certified Ratings Program.





Dimensional Data										
Damper OD	Roof Opening	Curb OD	A	B	C	D	E	F	Fan Wt	Ship Wt
11	11-1/2	14-3/4	20-1/2	17-1/2	16-1/2	3-1/2	16-1/8	1-3/4	44	80

### SIZE 9

CFM / BHP @ Static Pressure / Sones											Drive Range	RPM	HP	Tip Speed
0	1/8	1/4	3/8	1/2	5/8	3/4	7/8	1	1-1/4	Catalog Number				
694	467	-	-	-	-	-	-	-	-	901	DP6	710	1/4	2277
.04/3.8	.03/2.6	-	-	-	-	-	-	-	-	902		750	1/4	2405
773	580	-	-	-	-	-	-	-	-	903		790	1/4	2534
.05/4.8	.05/3.6	-	-	-	-	-	-	-	-	904		830	1/4	2662
812	633	360	-	-	-	-	-	-	-	905		870	1/4	2790
.06/5.4	.05/4.2	.05/3.5	-	-	-	-	-	-	-	906		910	1/4	2918
851	683	439	-	-	-	-	-	-	-	907		950	1/4	3047
.06/5.9	.06/4.8	.05/4.0	-	-	-	-	-	-	-	908		990	1/4	3175
890	733	511	-	-	-	-	-	-	-	909		1030	1/4	3303
.07/6.5	.07/5.5	.07/4.6	-	-	-	-	-	-	-	910		1070	1/4	3432
929	781	577	-	-	-	-	-	-	-	911	1110	1/4	3560	
.08/7.0	.08/6.1	.08/5.1	-	-	-	-	-	-	-	912	1150	1/4	3688	
968	828	640	-	-	-	-	-	-	-	913	1190	1/4	3816	
.10/7.6	.09/6.7	.09/5.9	-	-	-	-	-	-	-	914	1230	1/4	3945	
1007	874	699	469	-	-	-	-	-	-	915	1270	1/4	4073	
.11/8.2	.10/7.4	.10/6.5	.09/6.0	-	-	-	-	-	-	916	1310	1/4	4201	
1046	919	756	546	-	-	-	-	-	-	917	1350	1/4	4330	
.12/8.8	.12/8.1	.11/7.3	.10/6.5	-	-	-	-	-	-	918	1390	1/4	4458	
1086	964	811	618	-	-	-	-	-	-	919	1420	1/4	4554	
.13/9.5	.13/8.9	.13/8.0	.12/7.2	-	-	-	-	-	-	920	1470	1/3	4714	
1125	1008	864	685	-	-	-	-	-	-	921	1510	1/3	4843	
.15/10.2	.15/9.6	.14/8.8	.13/8.0	-	-	-	-	-	-	922	1550	1/3	4971	
1164	1052	916	749	543	-	-	-	-	-	914	1230	1/4	3945	
.17/10.9	.16/10.3	.16/9.6	.15/8.8	.14/8.2	-	-	-	-	-	915	1270	1/4	4073	
1203	1096	966	810	621	-	-	-	-	-	916	1310	1/4	4201	
.18/11.6	.18/11.1	.18/10.4	.17/9.7	.16/8.8	-	-	-	-	-	917	1350	1/4	4330	
1242	1139	1015	868	693	-	-	-	-	-	918	1390	1/4	4458	
.20/12.2	.20/11.7	.19/11.1	.19/10.4	.18/9.6	-	-	-	-	-	919	1420	1/4	4554	
1281	1182	1064	925	761	565	-	-	-	-	920	1470	1/3	4714	
.22/12.7	.22/12.2	.21/11.7	.21/11.0	.20/10.2	.18/9.8	-	-	-	-	921	1510	1/3	4843	
1320	1224	1112	980	827	646	-	-	-	-	922	1550	1/3	4971	
.24/13.2	.24/12.8	.23/12.2	.23/11.6	.22/10.8	.20/10.2	-	-	-	-	918	1390	1/4	4458	
1359	1267	1159	1034	889	721	-	-	-	-	919	1420	1/4	4554	
.26/13.8	.26/13.4	.26/12.9	.25/12.2	.24/11.5	.23/10.7	-	-	-	-	920	1470	1/3	4714	
1389	1298	1193	1073	935	775	587	-	-	-	921	1510	1/3	4843	
.28/14.2	.28/13.8	.27/13.3	.27/12.7	.26/11.9	.25/11.2	.22/11.0	-	-	-	922	1550	1/3	4971	
1438	1351	1251	1137	1008	860	690	-	-	-	914	1230	1/4	3945	
.31/14.9	.31/14.5	.30/14.1	.30/13.4	.29/12.8	.28/12.0	.26/11.6	-	-	-	915	1270	1/4	4073	
1477	1393	1296	1188	1065	925	767	-	-	-	916	1310	1/4	4201	
.34/15.5	.33/15.1	.33/14.7	.33/14.0	.32/13.5	.31/12.7	.29/12.1	-	-	-	917	1350	1/4	4330	
1516	1434	1341	1237	1120	988	839	669	-	-	918	1390	1/4	4458	
.37/16.2	.36/15.7	.36/15.3	.35/14.7	.35/14.2	.34/13.5	.32/12.7	.29/12.6	-	-	919	1420	1/4	4554	

Performance/Dimensional Data

DB9

DP10

DP8

DP7

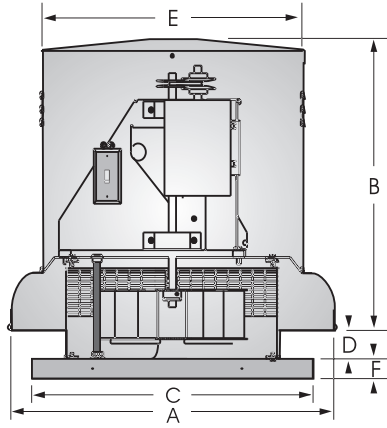
DP6

Power Ratings (BHP) does not include drive losses.  
 Performance certified is for installation type A - free inlet, free outlet.  
 Performance ratings include the effects of birdscreen in the airstream.  
 The sound ratings shown are loudness values in fan sones @ 5' (1.5m) in a hemispherical free field calculated per AMCA Standard 301. Values shown are for free inlet fan sone levels.



Soler & Palau USA, Div. of Soler & Palau Ventilation Group, certifies that the Models DB shown herein are licensed to bear the AMCA Seal. The ratings shown are based on test and procedures performed in accordance with AMCA Publication 211 and AMCA Publication 311 and comply with the requirement of the AMCA Certified Ratings Program.





Dimensional Data										
Damper OD	Roof Opening	Curb OD	A	B	C	D	E	F	Fan Wt	Ship Wt
18	19-1/2	22-1/4	28-3/8	23	24	3-1/2	22-1/2	2	64	130

### SIZE II

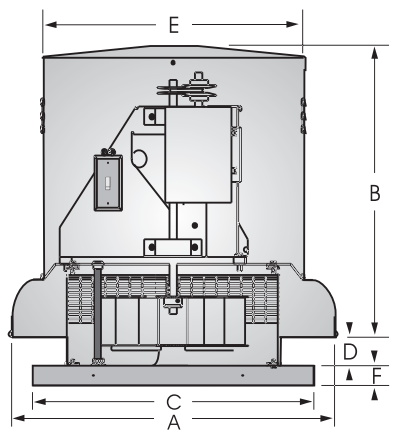
DBII	CFM / BHP @ Static Pressure / Sones											Drive Range	RPM	HP	Tip Speed
	0	1/8	1/4	3/8	1/2	5/8	3/4	7/8	I	I-1/4	Catalog Number				
	771 .02/3.8	508 .03/2.8	-	-	-	-	-	-	-	-	1101	DPI1	670	1/4	2275
	846 .03/4.6	613 .03/3.7	-	-	-	-	-	-	-	-	1102		735	1/4	2489
	921 .04/5.5	711 .04/4.7	436 .04/4.0	-	-	-	-	-	-	-	1103		800	1/4	2703
	996 .05/6.4	804 .05/5.8	571 .06/4.8	-	-	-	-	-	-	-	1104		865	1/4	2918
	1070 .06/7.4	894 .07/6.8	688 .07/6.0	405 .06/5.7	-	-	-	-	-	-	1105		930	1/4	3132
	1145 .07/8.4	982 .08/7.8	796 .08/7.1	568 .08/6.6	-	-	-	-	-	-	1106		995	1/4	3346
	1214 .08/9.4	1062 .09/8.8	890 .1/8.2	691 .1/7.5	406 .09/7.5	-	-	-	-	-	1107	DPI2	1055	1/4	3561
	1289 .1/10.6	1146 .11/10	988 .12/9.5	810 .12/8.7	590 .12/8.5	-	-	-	-	-	1108		1120	1/4	3775
	1364 .12/11.8	1230 .13/11.3	1083 .14/10.8	921 .14/10.1	732 .14/9.5	-	-	-	-	-	1109		1185	1/4	3989
	1450 .14/13.1	1325 .15/12.6	1188 .16/12.2	1041 .17/11.4	876 .17/10.8	678 .17/10.6	348 .13/10.6	-	-	-	1110		1260	1/4	4203
	1508 .16/13.8	1388 .17/13.3	1258 .18/12.9	1118 .19/12.3	965 .19/11.7	788 .19/11.3	557 .18/11.3	-	-	-	1111		1310	1/4	4418
	1571 .18/14.7	1456 .19/14.3	1332 .2/13.8	1200 .21/13.3	1058 .22/12.6	898 .22/12	707 .21/12	402 .17/12	-	-	1112		1365	1/4	4632
	1623 .2/15.5	1512 .21/15	1393 .22/14.6	1266 .23/14	1131 .24/13.4	982 .24/12.8	810 .24/12.6	586 .22/12.6	-	-	1113	DPI3	1410	1/4	4846
	1698 .23/16.6	1592 .24/16.2	1479 .25/15.7	1360 .26/15.3	1233 .27/14.6	1096 .28/14	944 .28/13.5	765 .27/13.5	508 .23/13.5	-	1114		1475	1/4	5061
	1755 .25/17.6	1654 .26/17.1	1545 .28/16.7	1430 .29/16.3	1310 .30/15.7	1181 .31/15	1040 .31/14.5	880 .3/14.3	680 .28/14.3	-	1115		1525	1/3	5225
	1824 .28/18.8	1727 .30/18.3	1623 .31/17.9	1513 .32/17.5	1399 .33/17	1278 .34/16.3	1148 .34/15.8	1004 .34/15.4	837 .33/15.4	-	1116		1585	1/3	5390
	1870 .30/19.7	1776 .32/19.2	1674 .33/18.8	1568 .35/18.3	1458 .36/17.9	1341 .37/17.2	1217 .37/16.7	1081 .37/16.2	929 .36/16.1	437 .28/16.1	1117		1625	1/3	5555
	1939 .34/21	1849 .35/21	1751 .37/20	1650 .38/19.6	1544 .4/19.2	1434 .41/18.6	1317 .41/18	1192 .41/17.5	1054 .41/17.3	699 .37/17.3	1118		1685	1/2	5720
	1980 .36/22	1891 .38/21	1795 .39/21	1697 .41/20	1594 .42/20	1487 .43/19.4	1374 .44/18.8	1254 .44/18.3	1123 .44/18	803 .41/18	1119	1720	1/2	5885	
	2095 .43/24	2012 .44/24	1922 .46/23	1829 .48/23	1734 .49/22	1634 .50/22	1531 .51/21	1423 .52/21	1307 .52/20	1045 .51/20	1120	1820	1/2	6050	
	2129 .45/25	2048 .46/24	1959 .48/24	1869 .50/24	1775 .51/23	1678 .53/23	1577 .54/22	1471 .54/22	1360 .55/21	1109 .54/21	1121	1850	1/2	6214	

Power Ratings (BHP) does not include drive losses.  
 Performance certified is for installation type A - free inlet, free outlet.  
 Performance ratings include the effects of birdscreen in the airstream.  
 The sound ratings shown are loudness values in fan sones @ 5' (1.5m) in a hemispherical free field calculated per AMCA Standard 301. Values shown are for free inlet fan sone levels.



Soler & Palau USA, Div. of Soler & Palau Ventilation Group, certifies that the Models DB shown herein are licensed to bear the AMCA Seal. The ratings shown are based on test and procedures performed in accordance with AMCA Publication 211 and AMCA Publication 311 and comply with the requirement of the AMCA Certified Ratings Program.





Dimensional Data										
Damper OD	Roof Opening	Curb OD	A	B	C	D	E	F	Fan Wt	Ship Wt
18	19-1/2	22-1/4	28-3/8	23	24	3-1/2	22-1/2	2	65	130

### SIZE 12

Performance/Dimensional Data

DB12

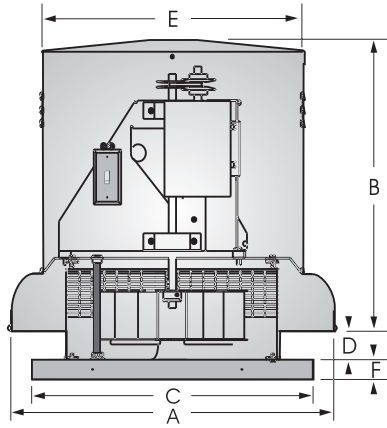
CFM / BHP @ Static Pressure / Sones											Drive Range	RPM	HP	Tip Speed
0	1/8	1/4	3/8	1/2	5/8	3/4	7/8	1	1-1/4	Catalog Number				
959 .03/3.7	692 .03/3.0	-	-	-	-	-	-	-	-	1201	DPI5	640	1/4	2371
1034 .03/4.3	792 .04/3.8	399 .04/2.8	-	-	-	-	-	-	-	1202		690	1/4	2556
1109 .04/5.0	889 .05/4.5	576 .05/3.5	-	-	-	-	-	-	-	1203		740	1/4	2742
1184 .05/5.7	982 .06/5.2	719 .06/4.2	-	-	-	-	-	-	-	1204		790	1/4	2927
1259 .06/6.4	1072 .07/5.9	839 .08/5.1	467 .07/4.2	-	-	-	-	-	-	1205		840	1/4	3112
1334 .07/7.0	1159 .08/6.6	947 .09/6.0	653 .09/4.9	-	-	-	-	-	-	1206		890	1/4	3297
1409 .08/7.6	1244 .09/7.2	1049 .10/6.8	805 .10/5.8	390 .08/4.9	-	-	-	-	-	1207		940	1/4	3483
1484 .10/8.3	1329 .11/7.9	1148 .12/7.5	937 .13/6.6	621 .12/5.7	-	-	-	-	-	1208		990	1/4	3668
1559 .11/9.0	1412 .13/8.6	1244 .14/8.3	1052 .14/7.5	794 .14/6.6	369 .11/5.8	-	-	-	-	1209		1040	1/4	3853
1634 .13/9.7	1494 .14/9.3	1339 .16/9.0	1160 .16/8.5	943 .17/7.5	627 .15/6.6	-	-	-	-	1210		1090	1/4	4038
1709 .15/10.4	1576 .16/10.1	1430 .18/9.8	1262 .19/9.5	1075 .19/8.4	813 .18/7.5	409 .14/6.7	-	-	-	1211		1140	1/4	4224
1784 .17/11.2	1657 .18/10.9	1519 .20/10.6	1362 .21/10.3	1191 .22/9.4	971 .22/8.4	669 .19/7.6	-	-	-	1212		1190	1/4	4409
1859 .19/12.0	1737 .21/11.7	1607 .22/11.4	1459 .24/11.1	1300 .24/10.5	1113 .25/9.4	861 .24/8.5	495 .19/7.8	-	-	1213	1240	1/4	4594	
1919 .21/12.7	1801 .23/12.3	1676 .24/12.1	1536 .26/11.8	1383 .27/11.4	1215 .27/10.3	992 .27/9.3	699 .24/8.5	-	-	1214	1280	1/4	4742	
1979 .23/13.2	1865 .25/13.1	1744 .26/12.7	1611 .28/12.5	1465 .29/12.2	1308 .30/11.2	1112 .30/10.2	861 .28/9.3	495 .22/8.6	-	1215	1320	1/3	4891	
2039 .25/13.9	1929 .27/13.6	1812 .29/13.5	1686 .30/13.1	1545 .32/12.9	1397 .32/12.1	1223 .33/11.0	999 .31/10.1	709 .28/9.3	-	1216	1360	1/3	5039	
2084 .27/14.4	1976 .29/14.1	1862 .30/13.9	1740 .32/13.7	1603 .33/13.4	1461 .34/12.8	1301 .35/11.7	1094 .34/10.8	839 .32/9.9	-	1217	1390	1/3	5150	
2159 .30/15.2	2055 .32/15.0	1946 .34/14.8	1830 .35/14.5	1701 .37/14.4	1565 .38/14.0	1419 .38/12.9	1242 .38/11.9	1022 .37/11.1	-	1218	1440	1/2	5335	
2219 .33/15.9	2118 .35/15.7	2012 .36/15.5	1900 .38/15.3	1777 .40/15.1	1646 .41/15.0	1509 .42/13.9	1350 .42/12.9	1151 .41/12.0	579 .32/10.3	1219	1480	1/2	5483	
2279 .35/16.7	2181 .37/16.4	2078 .39/16.2	1970 .41/16.0	1853 .43/15.8	1726 .44/15.7	1595 .45/14.8	1451 .45/13.9	1272 .45/13.0	791 .39/11.3	1220	1520	1/2	5632	
2339 .38/17.4	2243 .40/17.2	2144 .42/17.0	2039 .44/16.8	1927 .46/16.6	1804 .47/16.4	1679 .48/15.9	1544 .49/14.8	1385 .49/13.8	961 .45/12.2	1221	1560	1/2	5780	
2399 .41/18.1	2306 .43/17.9	2209 .45/17.8	2108 .47/17.6	2001 .49/17.4	1882 .51/17.2	1760 .52/16.9	1633 .52/15.9	1489 .53/14.8	1109 .50/13.1	1222	1600	1/2	5928	

Power Ratings (BHP) does not include drive losses.  
 Performance certified is for installation type A - free inlet, free outlet.  
 Performance ratings include the effects of birdscreen in the airstream.  
 The sound ratings shown are loudness values in fan sones @ 5' (1.5m) in a hemispherical free field calculated per AMCA Standard 301. Values shown are for free inlet fan sone levels.



Soler & Palau USA, Div. of Soler & Palau Ventilation Group, certifies that the Models DB shown herein are licensed to bear the AMCA Seal. The ratings shown are based on test and procedures performed in accordance with AMCA Publication 211 and AMCA Publication 311 and comply with the requirement of the AMCA Certified Ratings Program.





Dimensional Data										
Damper OD	Roof Opening	Curb OD	A	B	C	D	E	F	Fan Wt	Ship Wt
18	19-1/2	22-1/4	28-3/8	23	24	3-1/2	22-1/2	2	71	140

### SIZE 14

DB14

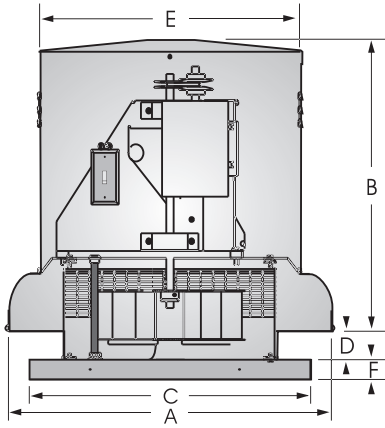
CFM / BHP @ Static Pressure / Sones											Drive Range	RPM	HP	Tip Speed
0	1/8	1/4	3/8	1/2	5/8	3/4	7/8	1	1-1/4	Catalog Number				
996 .02/2.3	514 .02/1.2	-	-	-	-	-	-	-	-	1401	DP20	435	1/4	1732
1088 .03/2.9	710 .03/1.9	-	-	-	-	-	-	-	-	1402		475	1/4	1891
1203 .04/3.6	901 .04/2.7	-	-	-	-	-	-	-	-	1403		525	1/4	2090
1317 .05/4.3	1060 .05/3.6	-	-	-	-	-	-	-	-	1404		575	1/4	2289
1432 .06/5.0	1206 .07/4.5	791 .06/3.4	-	-	-	-	-	-	-	1405		625	1/4	2488
1546 .08/5.9	1343 .08/5.4	1018 .08/4.3	-	-	-	-	-	-	-	1406		675	1/4	2687
1661 .10/6.7	1475 .10/6.2	1213 .10/5.3	-	-	-	-	-	-	-	1407		725	1/4	2886
1775 .12/7.4	1604 .13/7.0	1381 .13/6.3	1017 .11/5.3	-	-	-	-	-	-	1408		775	1/4	3085
1890 .15/8.2	1731 .15/7.8	1535 .15/7.3	1240 .14/6.3	-	-	-	-	-	-	1409		825	1/4	3284
2004 .18/9.0	1857 .18/8.6	1680 .18/8.2	1439 .18/7.2	1065 .16/6.4	-	-	-	-	-	1410		875	1/4	3483
2119 .21/9.9	1981 .21/9.5	1819 .22/9.1	1613 .21/8.3	1311 .20/7.4	-	-	-	-	-	1411	925	1/4	3682	
2233 .24/10.9	2103 .25/10.4	1953 .25/10.0	1773 .25/9.4	1525 .24/8.5	1168 .22/7.7	-	-	-	-	1412	975	1/4	3881	
2348 .28/11.8	2225 .29/11.4	2085 .29/11.0	1923 .29/10.5	1714 .29/9.6	1425 .27/8.8	-	-	-	-	1413	1025	1/3	4080	
2462 .33/12.8	2346 .33/12.4	2215 .34/12.0	2067 .34/11.7	1885 .34/10.7	1642 .32/9.9	1328 .29/9.1	-	-	-	1414	1075	1/3	4279	
2577 .37/13.7	2466 .38/13.4	2343 .39/13.1	2206 .39/12.6	2044 .39/12.0	1840 .38/11.1	1571 .36/10.3	-	-	-	1415	1125	1/2	4478	
2692 .42/14.8	2586 .43/14.5	2470 .44/14.1	2341 .44/13.7	2195 .44/13.2	2018 .44/12.3	1788 .42/11.5	1510 .39/10.8	-	-	1416	1175	1/2	4677	
2806 .48/15.9	2705 .49/15.5	2595 .50/15.2	2474 .50/14.8	2340 .50/14.4	2183 .50/13.6	1988 .49/12.8	1740 .46/12.0	1408 .42/11.3	-	1417	1225	1/2	4876	
2886 .52/16.7	2788 .53/16.3	2682 .54/15.9	2566 .55/15.6	2439 .55/15.2	2292 .54/14.5	2116 .54/13.7	1893 .52/12.9	1633 .48/12.2	-	1418	1260	3/4	5016	
2978 .57/17.6	2883 .58/17.2	2781 .59/16.8	2670 .60/16.5	2550 .60/16.1	2414 .60/15.5	2254 .59/14.7	2058 .58/13.9	1818 .55/13.3	-	1419	1300	3/4	5175	
3092 .64/18.7	3001 .65/18.3	2904 .66/18.0	2799 .67/17.6	2685 .67/17.3	2560 .67/16.9	2417 .67/16.0	2247 .66/15.3	2036 .64/14.5	-	1420	1350	3/4	5374	
3150 .68/19.3	3060 .69/19.0	2965 .70/18.6	2862 .71/18.2	2752 .71/17.8	2632 .71/17.5	2495 .71/16.7	2335 .70/16.0	2141 .68/15.2	1621 .60/13.9	1421	1375	3/4	5473	
3207 .72/19.9	3119 .73/19.6	3026 .74/19.2	2926 .74/18.8	2819 .75/18.5	2703 .75/18.1	2572 .75/17.4	2420 .74/16.6	2240 .72/15.9	1782 .66/14.5	1422	1400	3/4	5573	

Power Ratings (BHP) does not include drive losses.  
 Performance certified is for installation type A - free inlet, free outlet.  
 Performance ratings include the effects of birdscreen in the airstream.  
 The sound ratings shown are loudness values in fan sones @ 5' (1.5m) in a hemispherical free field calculated per AMCA Standard 301. Values shown are for free inlet fan sone levels.



Soler & Palau USA, Div. of Soler & Palau Ventilation Group, certifies that the Models DB shown herein are licensed to bear the AMCA Seal. The ratings shown are based on test and procedures performed in accordance with AMCA Publication 211 and AMCA Publication 311 and comply with the requirement of the AMCA Certified Ratings Program.





Dimensional Data										
Damper OD	Roof Opening	Curb OD	A	B	C	D	E	F	Fan Wt	Ship Wt
18	19-1/2	22-1/4	32-1/4	24	24	6	26-1/4	2-1/2	79	145

### SIZE 16

CFM / BHP @ Static Pressure / Sones											Drive Range	RPM	HP	Tip Speed
0	1/8	1/4	3/8	1/2	5/8	3/4	7/8	1	1-1/4	Catalog Number				
1578 .04/2.9	851 .04/1.8	-	-	-	-	-	-	-	-	1601	DP26	425	1/4	2030
1726 .05/3.6	1118 .05/2.6	-	-	-	-	-	-	-	-	1602		465	1/4	2221
1875 .06/4.3	1338 .07/3.3	-	-	-	-	-	-	-	-	1603		505	1/4	2413
2023 .07/5.0	1540 .08/4.1	-	-	-	-	-	-	-	-	1604		545	1/4	2604
2172 .09/5.8	1733 .10/4.9	1065 .10/4.0	-	-	-	-	-	-	-	1605		585	1/4	2795
2320 .11/6.5	1918 .12/5.7	1378 .12/4.8	-	-	-	-	-	-	-	1606		625	1/4	2986
2469 .13/7.2	2098 .15/6.4	1624 .15/5.6	-	-	-	-	-	-	-	1607		665	1/4	3177
2617 .16/8.0	2273 .17/7.2	1844 .18/6.4	1188 .17/6.2	-	-	-	-	-	-	1608		705	1/4	3368
2766 .19/8.7	2444 .20/7.9	2050 .21/7.2	1543 .21/6.5	-	-	-	-	-	-	1609		745	1/4	3559
2914 .22/9.5	2612 .24/8.7	2248 .25/8.0	1814 .25/7.4	984 .20/7.2	-	-	-	-	-	1610		785	1/4	3750
2970 .23/9.8	2674 .25/9.0	2320 .26/8.3	1905 .26/7.7	1205 .23/7.5	-	-	-	-	-	1611	DP31	800	1/4	3822
3063 .26/10.3	2776 .27/9.5	2440 .29/8.8	2049 .29/8.2	1484 .27/7.7	-	-	-	-	-	1612		825	1/3	3941
3137 .28/10.7	2857 .29/10.0	2533 .31/9.2	2159 .31/8.6	1663 .30/8.1	-	-	-	-	-	1613		845	1/3	4037
3230 .30/11.2	2958 .32/10.4	2649 .33/9.8	2293 .34/9.1	1853 .34/8.6	965 .25/8.5	-	-	-	-	1614		870	1/3	4156
3341 .33/11.9	3079 .35/11.1	2786 .37/10.4	2448 .38/9.8	2054 .37/9.3	1417 .33/9.1	-	-	-	-	1615		900	1/2	4300
3453 .37/12.5	3198 .39/11.8	2920 .40/11.1	2599 .42/10.5	2236 .42/9.9	1731 .40/9.6	-	-	-	-	1616		930	1/2	4430
3564 .40/13.2	3318 .43/12.5	3053 .44/11.8	2746 .46/11.1	2407 .46/10.7	1979 .45/10.2	1181 .36/9.9	-	-	-	1617		960	1/2	4586
3712 .46/14.0	3476 .48/13.4	3228 .50/12.7	2939 .51/12.1	2623 .52/11.5	2256 .51/11.2	1712 .48/11.0	-	-	-	1618		1000	1/2	4778
3935 .54/15.5	3711 .57/14.8	3484 .59/14.1	3219 .60/13.6	2932 .62/13.1	2617 .62/12.6	2230 .60/13.0	1615 .54/12.8	-	-	1619		1060	3/4	5064
4047 .59/16.2	3829 .62/15.6	3610 .64/15.0	3356 .65/14.3	3081 .67/13.8	2783 .67/13.4	2436 .66/13.6	1950 .63/14.4	1021 .45/14.2	-	1620		1090	3/4	5207
4158 .64/17.0	3946 .67/16.4	3734 .69/15.8	3492 .71/15.2	3227 .72/14.6	2943 .73/14.2	2626 .72/14.3	2217 .70/15.1	1542 .60/14.9	-	1621	1120	3/4	5351	
4288 .70/17.9	4082 .73/17.3	3878 .75/16.7	3648 .77/16.2	3395 .79/15.7	3125 .79/15.1	2831 .79/15.0	2480 .78/15.9	1980 .73/15.9	-	1622	1155	3/4	5518	

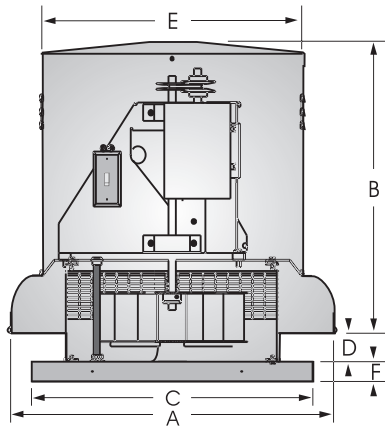
Performance/Dimensional Data

DB16

Power Ratings (BHP) does not include drive losses.  
 Performance certified for installation type A - free inlet, free outlet.  
 Performance ratings include the effects of birdscreen in the airstream.  
 The sound ratings shown are loudness values in fan sones @ 5' (1.5m) in a hemispherical free field calculated per AMCA Standard 301. Values shown are for free inlet fan sone levels.

Soler & Palau USA, Div. of Soler & Palau Ventilation Group, certifies that the Models DB shown herein are licensed to bear the AMCA Seal. The ratings shown are based on test and procedures performed in accordance with AMCA Publication 211 and AMCA Publication 311 and comply with the requirement of the AMCA Certified Ratings Program.

UL STANDARD 705



Dimensional Data										
Damper OD	Roof Opening	Curb OD	A	B	C	D	E	F	Fan Wt	Ship Wt
24	24-3/4	27-3/4	32-1/4	24	29-1/2	4-1/2	26-1/4	2-1/2	96	160

### SIZE 18

DB18

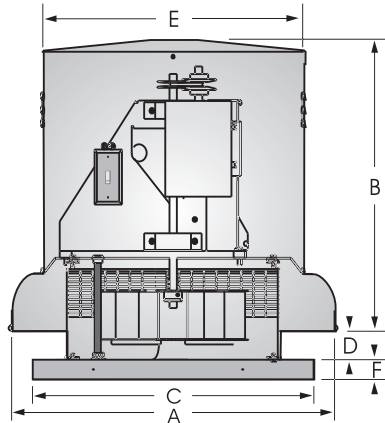
CFM / BHP @ Static Pressure / Sones											Drive Range	RPM	HP	Tip Speed
0	1/8	1/4	3/8	1/2	5/8	3/4	7/8	1	1-1/4	Catalog Number				
2031 .09/6.4	1663 .10/5.4	1054 .08/5.6	-	-	-	-	-	-	-	1801	DP32	535	1/4	2556
2202 .12/7.3	1874 .12/6.4	1395 .11/6.6	-	-	-	-	-	-	-	1802		580	1/4	2771
2372 .15/8.3	2077 .15/7.4	1679 .15/6.5	-	-	-	-	-	-	-	1803		625	1/4	2986
2543 .18/9.4	2274 .19/8.5	1924 .19/7.6	1431 .17/7.8	-	-	-	-	-	-	1804		670	1/4	3201
2714 .22/10.5	2465 .23/9.6	2151 .23/8.7	1740 .22/9.0	-	-	-	-	-	-	1805		715	1/4	3416
2885 .26/11.5	2653 .27/10.6	2369 .27/9.8	2024 .27/9.0	1531 .24/8.8	-	-	-	-	-	1806		760	1/3	3631
3056 .31/12.5	2838 .32/11.6	2579 .33/10.8	2274 .32/10.0	1873 .30/9.8	-	-	-	-	-	1807		805	1/3	3846
3226 .37/13.4	3022 .38/12.7	2785 .38/11.8	2507 .38/11.1	2168 .37/11.0	1715 .34/10.8	-	-	-	-	1808		850	1/2	4061
3397 .43/14.3	3204 .44/13.6	2986 .45/13.0	2729 .45/12.3	2437 .44/11.5	2061 .42/11.3	-	-	-	-	1809		895	1/2	4276
3568 .50/15.5	3385 .51/14.7	3183 .52/14.0	2944 .52/13.4	2681 .51/12.9	2358 .50/12.8	1965 .46/12.6	-	-	-	1810		940	1/2	4491
3739 .58/16.7	3564 .59/16.0	3375 .60/15.3	3155 .60/14.6	2912 .59/14.0	2635 .58/13.5	2288 .56/13.3	1676 .47/13.1	-	-	1811	985	3/4	4706	
3910 .66/17.9	3743 .67/17.2	3565 .68/16.6	3361 .68/15.9	3135 .68/15.3	2886 .67/14.7	2585 .65/14.4	2235 .62/14.1	-	-	1812	1030	3/4	4921	
4080 .75/19.1	3922 .76/18.5	3752 .77/17.8	3563 .78/17.2	3351 .77/16.6	3123 .77/16.0	2863 .76/15.5	2544 .73/15.3	2167 .68/15.1	-	1813	1075	3/4	5136	
4251 .85/21	4099 .86/19.8	3938 .87/19.1	3762 .88/18.6	3562 .88/18.0	3350 .87/17.4	3117 .86/16.9	2840 .84/16.5	2524 .81/16.1	-	1814	1120	1	5351	
4422 .95/22	4276 .97/21	4123 .98/21	3957 .99/19.9	3770 .99/19.3	3570 .98/18.8	3356 .98/18.2	3115 .96/17.7	2824 .93/17.3	-	1815	1165	1	5566	
4593 1.07/23	4452 1.08/23	4306 1.10/22	4149 1.10/21	3975 1.11/21	3784 1.10/20	3585 1.10/19.6	3368 1.09/19.1	3116 1.07/18.7	2508 .99/18.5	1816	1210	1-1/2	5781	
4764 1.19/25	4628 1.21/24	4488 1.22/23	4339 1.23/23	4176 1.23/22	3995 1.23/22	3808 1.23/21	3607 1.22/21	3386 1.21/20	2841 1.14/19.7	1817	1255	1-1/2	5996	
4935 1.32/26	4804 1.34/25	4669 1.36/25	4527 1.37/24	4373 1.37/24	4204 1.37/23	4025 1.37/23	3837 1.36/22	3635 1.35/22	3140 1.29/21	1818	1300	1-1/2	6211	
5105 1.47/28	4979 1.48/27	4849 1.50/26	4713 1.51/26	4569 1.52/25	4408 1.52/25	4237 1.52/24	4061 1.51/24	3873 1.50/23	3434 1.46/22	1819	1345	1-1/2	6426	
5276 1.62/29	5154 1.64/29	5029 1.65/28	4898 1.67/27	4761 1.67/27	4610 1.68/26	4447 1.68/26	4279 1.67/25	4104 1.67/25	3709 1.63/24	1820	1390	2	6641	
5447 1.78/31	5329 1.80/30	5208 1.82/30	5082 1.83/29	4951 1.84/28	4809 1.84/28	4655 1.85/27	4493 1.84/27	4327 1.84/26	3964 1.81/25	1821	1435	2	6856	
5618 1.95/32	5504 1.97/32	5386 1.99/31	5265 2.01/31	5139 2.02/30	5005 2.02/29	4859 2.02/29	4704 2.02/28	4546 2.02/28	4206 2.00/27	1822	1480	2	7071	

Power Ratings (BHP) does not include drive losses.  
 Performance certified is for installation type A - free inlet, free outlet.  
 Performance ratings include the effects of birdscreen in the airstream.  
 The sound ratings shown are loudness values in fan sones @ 5' (1.5m) in a hemispherical free field calculated per AMCA Standard 301. Values shown are for free inlet fan sone levels.



Soler & Palau USA, Div. of Soler & Palau Ventilation Group, certifies that the Models DB shown herein are licensed to bear the AMCA Seal. The ratings shown are based on test and procedures performed in accordance with AMCA Publication 211 and AMCA Publication 311 and comply with the requirement of the AMCA Certified Ratings Program.





Dimensional Data										
Damper OD	Roof Opening	Curb OD	A	B	C	D	E	F	Fan Wt	Ship Wt
24	24-3/4	27-3/4	36-3/4	24-1/2	29-1/2	4-1/2	26-1/4	2-1/2	98	215

**SIZE 20**

Performance/Dimensional Data

**DB20**

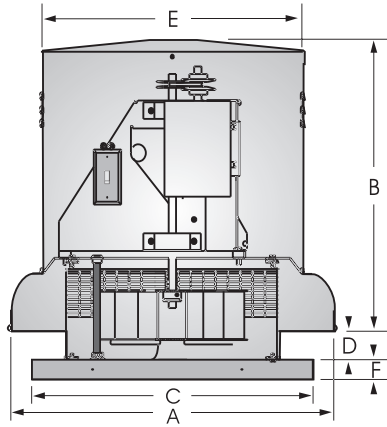
CFM / BHP @ Static Pressure / Sones											Drive Range	RPM	HP	Tip Speed
0	1/8	1/4	3/8	1/2	5/8	3/4	7/8	1	1-1/4	Catalog Number				
2357 .09/5.4	1936 .10/3.9	1151 .09/3.7	-	-	-	-	-	-	-	2001	DP38	440	1/4	2460
2571 .12/6.2	2200 .13/4.8	1617 .12/4.6	-	-	-	-	-	-	-	2002		DP39	480	1/4
2785 .15/7.0	2455 .16/5.8	1982 .16/5.1	1098 .13/4.7	-	-	-	-	-	-	2003	DP40		520	1/4
3000 .19/7.9	2701 .20/7.0	2302 .21/6.2	1681 .19/5.9	-	-	-	-	-	-	2004		DP41	560	1/4
3214 .23/9.1	2939 .25/8.2	2586 .25/7.3	2098 .25/6.9	1259 .20/6.0	-	-	-	-	-	2005	DP42		600	1/4
3401 .28/9.7	3144 .29/8.8	2822 .30/8.2	2412 .30/7.5	1799 .27/7.2	-	-	-	-	-	2006		DP43	635	1/3
3562 .32/10.2	3318 .33/9.4	3021 .34/8.7	2658 .35/8.2	2145 .33/8.3	1281 .26/7.8	-	-	-	-	2007	DP44		665	1/3
3750 .37/10.8	3520 .38/10.1	3248 .40/9.4	2923 .40/9.0	2490 .39/8.5	1880 .35/8.2	-	-	-	-	2008		DP44	700	1/2
3910 .42/11.6	3691 .43/10.6	3438 .45/10.0	3134 .46/9.6	2757 .45/9.2	2251 .42/8.9	1438 .35/8.7	-	-	-	2009	DP44		730	1/2
4071 .47/12.3	3861 .49/11.2	3625 .51/10.7	3338 .51/10.2	3007 .52/9.9	2567 .50/9.5	1963 .45/9.3	-	-	-	2010		DP44	760	1/2
4285 .55/13.2	4087 .57/12.3	3868 .59/11.7	3604 .60/11.2	3315 .60/10.9	2942 .59/10.5	2469 .56/10.4	1784 .49/10.3	-	-	2011	DP44		800	3/4
4500 .64/14.1	4311 .66/13.4	4106 .67/13.0	3866 .69/12.5	3599 .70/12.0	3283 .70/11.6	2886 .67/11.3	2379 .62/11.1	1594 .52/10.8	-	2012		DP44	840	3/4
4687 .72/14.9	4506 .74/14.4	4312 .76/13.9	4091 .78/13.5	3838 .79/13.2	3560 .79/12.7	3210 .78/12.4	2787 .74/12.3	2229 .68/10.9	-	2013	DP44		875	3/4
4901 .82/16.2	4729 .84/15.7	4546 .86/15.2	4341 .88/14.7	4104 .90/14.3	3854 .90/14.0	3553 .90/13.6	3191 .88/13.4	2751 .83/12.9	-	2014		DP44	915	1
5089 .92/17.3	4923 .94/16.8	4748 .96/16.4	4557 .98/15.9	4335 1.00/15.5	4098 1.01/15.1	3834 1.01/14.7	3511 1.00/14.4	3133 .96/13.9	2017 .80/13.0	2015	DP44		950	1
5276 1.03/18.4	5117 1.05/17.9	4949 1.07/17.5	4768 1.09/17.1	4562 1.11/16.7	4336 1.12/16.3	4098 1.12/15.9	3811 1.12/15.5	3476 1.10/15.4	2589 .98/15.1	2016		DP44	985	1
5517 1.17/19.9	5365 1.20/19.4	5206 1.22/19.0	5036 1.24/18.5	4847 1.26/18.1	4634 1.28/17.8	4416 1.28/17.4	4171 1.28/17.1	3879 1.28/16.8	3156 1.19/16.7	2017	DP44		1030	1-1/2
5705 1.30/21	5558 1.32/21	5405 1.35/20	5242 1.37/19.8	5065 1.39/19.4	4865 1.41/19.0	4655 1.42/18.6	4434 1.42/18.3	4173 1.42/18.0	3532 1.36/17.8	2018		DP44	1065	1-1/2
5892 1.43/22	5750 1.45/22	5602 1.48/22	5447 1.50/21	5280 1.53/21	5092 1.55/20	4889 1.56/19.9	4683 1.56/19.5	4451 1.56/19.2	3874 1.53/19.1	2019	DP44		1100	1-1/2
6107 1.59/24	5970 1.62/24	5828 1.64/23	5679 1.67/23	5521 1.69/22	5346 1.71/22	5154 1.73/21	4985 1.74/21	4751 1.74/21	4236 1.73/20	2020		DP44	1140	2
6294 1.74/25	6161 1.77/25	6024 1.80/24	5881 1.82/24	5730 1.85/24	5566 1.87/23	5384 1.89/23	5194 1.90/22	4999 1.91/22	4535 1.90/21	2021	DP44		1175	2
6482 1.90/27	6353 1.93/26	6220 1.96/26	6082 1.98/25	5937 2.01/25	5782 2.04/25	5610 2.06/24	5426 2.07/24	5241 2.08/24	4821 2.08/24	2022		DP44	1210	2

Power Ratings (BHP) does not include drive losses.  
 Performance certified is for installation type A - free inlet, free outlet.  
 Performance ratings include the effects of birdscreen in the airstream.  
 The sound ratings shown are loudness values in fan sones @ 5' (1.5m) in a hemispherical free field calculated per AMCA Standard 301. Values shown are for free inlet fan sone levels.



Soler & Palau USA, Div. of Soler & Palau Ventilation Group, certifies that the Models DB shown herein are licensed to bear the AMCA Seal. The ratings shown are based on test and procedures performed in accordance with AMCA Publication 211 and AMCA Publication 311 and comply with the requirement of the AMCA Certified Ratings Program.





Dimensional Data										
Damper OD	Roof Opening	Curb OD	A	B	C	D	E	F	Fan Wt	Ship Wt
30	30-3/4	33-3/4	41-1/4	26-1/2	35-3/4	8-1/2	30	2-1/2	155	290

### SIZE 24

DB24

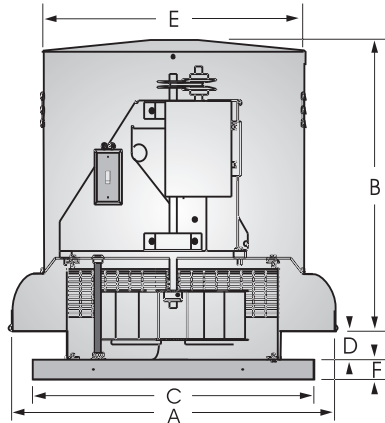
CFM / BHP @ Static Pressure / Sones											Drive Range	RPM	HP	Tip Speed
0	1/8	1/4	3/8	1/2	5/8	3/4	7/8	1	1-1/4	Catalog Number				
3286 .09/5.1	2405 .10/3.9	-	-	-	-	-	-	-	-	2401	DP45	330	1/4	2102
3634 .12/6.1	2914 .14/5.2	-	-	-	-	-	-	-	-	2402		365	1/4	2325
3983 .16/7.2	3364 .18/6.6	1948 .15/4.8	-	-	-	-	-	-	-	2403		400	1/4	2548
4480 .23/9.0	3949 .25/8.4	3090 .25/6.9	-	-	-	-	-	-	-	2404		450	1/4	2867
4680 .26/9.7	4176 .28/9.2	3453 .29/7.8	1852 .22/6.8	-	-	-	-	-	-	2405		470	1/3	2994
4879 .30/10.2	4400 .32/9.7	3751 .33/8.6	2388 .27/7.3	-	-	-	-	-	-	2406		490	1/3	3121
5376 .40/11.7	4952 .42/11.3	4436 .44/10.8	3483 .41/9.0	2055 .32/8.6	-	-	-	-	-	2407		540	1/2	3440
5576 .44/12.4	5169 .47/11.9	4688 .49/11.5	3972 .48/9.8	2614 .40/8.8	-	-	-	-	-	2408		560	1/2	3567
5874 .52/13.4	5493 .55/12.9	5048 .57/12.5	4447 .57/11.2	3296 .50/9.9	1791 .38/9.8	-	-	-	-	2409		590	3/4	3758
6073 .57/14.2	5706 .60/13.5	5282 .63/13.2	4735 .63/12.1	3702 .57/10.6	2487 .48/10.8	-	-	-	-	2410		610	3/4	3886
6422 .68/15.6	6078 .71/14.9	5683 .74/14.3	5219 .75/13.8	4557 .73/12.2	3374 .63/11.3	1906 .49/11.1	-	-	-	2411	DP50	645	3/4	4109
6770 .80/17.0	6447 .83/16.4	6077 .86/15.9	5670 .88/15.3	5117 .87/14.0	4097 .79/13.1	3051 .70/12.4	-	-	-	2412		680	1	4332
7069 .91/18.3	6761 .94/17.7	6412 .97/17.2	6033 .99/16.7	5549 1.00/15.5	4848 .96/14.6	3773 .85/14.0	2570 .72/13.8	-	-	2413		710	1	4523
7467 1.07/20	7177 1.10/19.5	6854 1.14/19.0	6502 1.16/18.5	6096 1.18/17.9	5566 1.17/16.7	4594 1.07/16.0	3685 .97/15.4	2423 .80/15.3	-	2414		750	1-1/2	4778
7816 1.22/22	7540 1.26/21	7235 1.30/21	6904 1.33/20	6545 1.35/19.7	6077 1.35/18.6	5479 1.32/17.8	4451 1.18/17.2	3518 1.07/16.6	-	2415		785	1-1/2	5000
8164 1.40/23	7902 1.43/23	7613 1.47/22	7299 1.51/22	6968 1.53/21	6567 1.54/21	6073 1.53/19.7	5180 1.42/19.0	4360 1.31/18.4	-	2416		820	1-1/2	5223
8513 1.58/25	8262 1.62/24	7988 1.66/24	7691 1.70/24	7380 1.73/23	7029 1.74/23	6587 1.74/22	6059 1.71/21	5077 1.56/20	3286 1.29/20	2417		855	2	5446
8961 1.85/27	8723 1.89/27	8467 1.93/26	8190 1.97/26	7899 2.00/26	7590 2.03/25	7218 2.04/24	6775 2.02/24	6180 1.97/23	4490 1.69/22	2418		900	2	5733
9210 2.00/28	8979 2.05/28	8731 2.09/28	8464 2.13/27	8182 2.17/27	7888 2.19/27	7550 2.21/26	7136 2.20/25	6665 2.18/25	5053 1.91/23	2419		925	3	5892
9558 2.24/30	9337 2.28/30	9099 2.33/29	8846 2.37/29	8576 2.41/28	8299 2.44/28	7998 2.47/28	7631 2.47/27	7211 2.46/26	5760 2.22/25	2420		960	3	6115
9757 2.38/31	9541 2.43/30	9309 2.47/30	9062 2.52/30	8800 2.56/29	8530 2.59/29	8243 2.62/29	7902 2.63/28	7503 2.62/27	6189 2.42/26	2421	980	3	6243	
9956 2.53/31	9744 2.58/31	9518 2.63/31	9278 2.67/30	9023 2.71/30	8760 2.75/30	8483 2.78/30	8166 2.79/29	7789 2.79/28	6753 2.67/27	2422	1000	3	6370	

Power Ratings (BHP) does not include drive losses.  
 Performance certified is for installation type A - free inlet, free outlet.  
 Performance ratings include the effects of birdscreen in the airstream.  
 The sound ratings shown are loudness values in fan sones @ 5' (1.5m) in a hemispherical free field calculated per AMCA Standard 301. Values shown are for free inlet fan sone levels.



Soler & Palau USA, Div. of Soler & Palau Ventilation Group, certifies that the Models DB shown herein are licensed to bear the AMCA Seal. The ratings shown are based on test and procedures performed in accordance with AMCA Publication 211 and AMCA Publication 311 and comply with the requirement of the AMCA Certified Ratings Program.





Dimensional Data										
Damper OD	Roof Opening	Curb OD	A	B	C	D	E	F	Fan Wt	Ship Wt
36	37-1/4	40-3/4	58-3/8	37	42-1/2	5-1/2	41	2-1/2	265	465

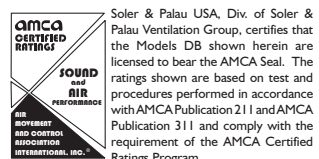
### SIZE 30

Performance/Dimensional Data

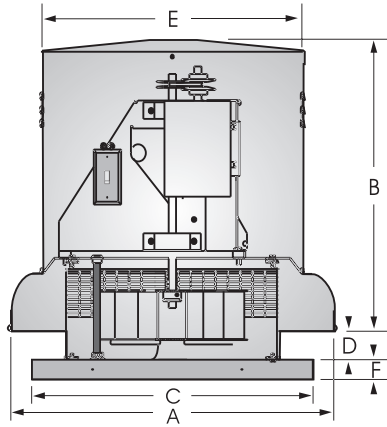
**DB30**

CFM / BHP @ Static Pressure / Sones											Drive Range	RPM	HP	Tip Speed
0	1/8	1/4	3/8	1/2	5/8	3/4	7/8	1	1-1/4	Catalog Number				
4068 .09/2.7	2456 .09/2.5	-	-	-	-	-	-	-	-	3001	DP53	235	1/3	1871
4588 .13/3.4	3300 .14/3.2	-	-	-	-	-	-	-	-	3002		265	1/3	2110
5107 .18/4.2	4015 .19/3.6	1930 .15/3.4	-	-	-	-	-	-	-	3003		295	1/3	2349
5626 .24/5.0	4681 .26/4.1	3220 .24/3.6	-	-	-	-	-	-	-	3004		325	1/3	2588
6146 .32/5.8	5311 .34/4.7	4149 .33/5.0	-	-	-	-	-	-	-	3005		355	1/3	2827
6665 .40/6.6	5916 .43/5.3	4921 .43/6.2	3455 .38/6.1	-	-	-	-	-	-	3006		385	1/2	3066
7098 .49/7.3	6406 .51/5.9	5512 .52/6.6	4350 .49/6.4	2246 .38/6.8	-	-	-	-	-	3007		410	1/2	3265
7531 .58/8.1	6888 .61/6.7	6081 .62/7.1	5087 .60/7.0	3601 .53/6.9	-	-	-	-	-	3008		435	3/4	3464
8050 .71/9.1	7456 .74/7.6	6735 .76/7.7	5866 .75/8.5	4743 .71/8.2	2961 .59/8.1	-	-	-	-	3009		465	3/4	3703
8483 .83/9.8	7925 .86/8.4	7262 .89/8.2	6468 .89/8.9	5528 .85/8.8	4179 .77/8.0	-	-	-	-	3010		490	1	3902
8916 .97/10.6	8388 1.00/9.2	7775 1.03/8.7	7047 1.03/9.4	6215 1.01/9.2	5132 .95/8.6	3571 .82/8.8	-	-	-	3011	515	1	4101	
9608 1.21/12.0	9124 1.25/10.6	8574 1.30/9.5	7937 1.30/10.2	7213 1.28/11.0	6385 1.25/9.0	5286 1.17/8.9	3788 1.02/8.7	-	-	3012	555	1-1/2	4419	
10214 1.46/13.2	9761 1.49/11.7	9257 1.55/10.6	8683 1.55/11.0	8030 1.55/11.7	7315 1.53/12.6	6472 1.48/12.4	5352 1.38/12.2	3860 1.21/21.6	-	3013	590	1-1/2	4698	
10820 1.73/14.5	10395 1.77/13.1	9928 1.84/11.8	9405 1.84/11.7	8817 1.85/12.6	8171 1.84/13.3	7460 1.80/13.0	6604 1.74/12.8	5497 1.62/12.7	-	3014	625	2	4977	
11339 1.99/15.6	10936 2.03/14.2	10496 2.07/13.1	10010 2.10/12.6	9469 2.13/13.2	8871 2.12/14.0	8231 2.10/14.8	7507 2.05/14.6	6617 1.96/14.0	4024 1.61/13.8	3015	655	2	5215	
11859 2.28/16.7	11474 2.32/15.4	11058 2.36/14.3	10605 2.40/13.4	10104 2.43/14.0	9552 2.43/14.7	8960 2.42/15.4	8319 2.38/15.1	7584 2.32/14.7	5573 2.07/14.5	3016	685	3	5454	
12378 2.59/17.9	12011 2.64/16.5	11617 2.68/15.4	11190 2.72/14.4	10724 2.75/14.8	10213 2.77/15.4	9660 2.76/16.1	9076 2.73/16.9	8434 2.69/16.8	6767 2.49/17.9	3017	715	3	5693	
12897 2.93/19.1	12546 2.98/17.9	12171 3.02/16.7	11768 3.06/15.7	11332 3.10/15.6	10857 3.13/16.2	10343 3.13/16.9	9798 3.11/17.6	9220 3.07/18.5	7827 2.93/19.4	3018	745	3	5932	
13330 3.24/20	12991 3.29/18.9	12630 3.33/17.8	12245 3.37/16.8	11831 3.41/16.4	11383 3.45/16.9	10899 3.46/17.6	10381 3.45/18.3	9841 3.42/19.1	8602 3.31/19.8	3019	770	5	6131	
13936 3.70/22	13612 3.75/20	13270 3.80/19.4	12907 3.84/18.3	12520 3.88/17.4	12104 3.92/18.0	11657 3.95/18.6	11179 3.95/19.3	10676 3.93/19.9	9580 3.84/21	3020	805	5	6410	
14542 4.20/23	14232 4.26/22	13907 4.31/21	13563 4.35/19.9	13199 4.40/19.0	12811 4.44/19.1	12396 4.48/19.6	11954 4.49/20	11485 4.48/21	10487 4.41/22	3021	840	5	6689	
15148 4.75/24	14851 4.81/23	14540 4.86/22	14214 4.91/22	13871 4.96/21	13507 5.00/20	13120 5.04/21	12709 5.07/21	12273 5.08/22	11344 5.03/23	3022	875	5	6967	

Power Ratings (BHP) does not include drive losses.  
 Performance certified is for installation type A - free inlet, free outlet.  
 Performance ratings include the effects of birdscreen in the airstream.  
 The sound ratings shown are loudness values in fan sones @ 5' (1.5m) in a hemispherical free field calculated per AMCA Standard 301. Values shown are for free inlet fan sone levels.



Soler & Palau USA, Div. of Soler & Palau Ventilation Group, certifies that the Models DB shown herein are licensed to bear the AMCA Seal. The ratings shown are based on test and procedures performed in accordance with AMCA Publication 211 and AMCA Publication 311 and comply with the requirement of the AMCA Certified Ratings Program.



Dimensional Data										
Damper OD	Roof Opening	Curb OD	A	B	C	D	E	F	Fan Wt	Ship Wt
36	37-1/4	40-3/4	58-3/8	37	42-1/2	10	41	2-1/2	275	475

### SIZE 36

DB36

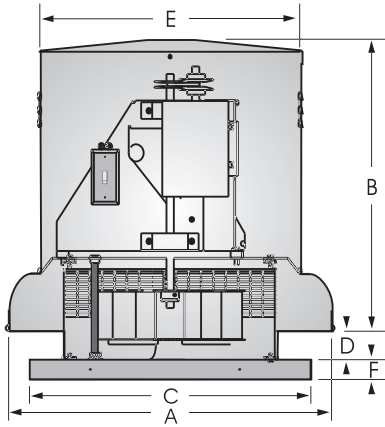
CFM / BHP @ Static Pressure / Sones											Drive Range	RPM	HP	Tip Speed
0	1/8	1/4	3/8	1/2	5/8	3/4	7/8	1	1-1/4	Catalog Number				
5995 .16/3.9	3550 .14/3.0	-	-	-	-	-	-	-	-	3601	DF61	210	1/2	1945
6708 .22/4.9	4887 .22/4.1	-	-	-	-	-	-	-	-	3602		235	1/2	2177
7422 .30/5.9	5964 .31/5.2	-	-	-	-	-	-	-	-	3603		260	1/2	2408
8136 .40/7.0	6868 .42/6.4	4443 .35/5.6	-	-	-	-	-	-	-	3604		285	1/2	2640
8849 .51/8.2	7708 .53/7.7	5686 .48/6.8	-	-	-	-	-	-	-	3605		310	1/2	2871
9420 .62/9.2	8361 .64/8.8	6793 .62/8.0	4157 .49/7.1	-	-	-	-	-	-	3606		330	3/4	3057
10134 .77/10.1	9166 .80/9.7	7936 .80/9.1	5730 .68/8.3	-	-	-	-	-	-	3607		355	3/4	3288
10562 .87/10.7	9646 .90/10.3	8521 .91/9.7	6450 .80/8.9	3321 .57/8.8	-	-	-	-	-	3608		370	1	3427
10990 .98/11.3	10122 1.02/10.8	9075 1.02/10.3	7268 .94/9.7	5137 .80/9.0	-	-	-	-	-	3609		385	1	3566
11418 1.10/11.9	10593 1.14/11.4	9607 1.15/10.9	8102 1.09/10.3	6133 .96/9.7	-	-	-	-	-	3610		400	1-1/2	3705
11846 1.23/12.6	11060 1.27/12.0	10120 1.28/11.6	8852 1.25/10.9	6860 1.10/10.4	3994 .84/10.2	-	-	-	-	3611	415	1-1/2	3844	
12275 1.37/13.3	11524 1.41/12.8	10623 1.43/12.2	9521 1.41/11.6	7583 1.26/11.1	5709 1.11/10.5	-	-	-	-	3612	430	1-1/2	3983	
12703 1.52/14.3	11985 1.56/13.6	11118 1.58/13.0	10124 1.57/12.4	8417 1.45/11.8	6731 1.31/11.3	-	-	-	-	3613	445	1-1/2	4122	
13416 1.79/15.5	12747 1.83/15.0	11931 1.86/14.6	11059 1.86/14.0	9774 1.79/13.3	7958 1.62/12.7	6170 1.44/12.2	-	-	-	3614	470	2	4353	
13987 2.03/16.7	13351 2.08/16.2	12574 2.10/15.7	11770 2.11/15.2	10712 2.08/14.6	8982 1.90/14.1	7516 1.76/13.5	4507 1.34/13.2	-	-	3615	490	2	4539	
14558 2.29/17.9	13953 2.34/17.4	13218 2.37/17.0	12453 2.38/16.5	11540 2.37/15.9	10114 2.23/15.2	8485 2.05/14.7	6849 1.86/14.2	-	-	3616	510	3	4724	
15272 2.64/19.4	14701 2.69/18.9	14015 2.73/18.5	13287 2.74/18.1	12489 2.74/17.6	11391 2.67/17.0	9739 2.47/16.4	8401 2.32/15.8	6406 2.03/15.6	-	3617	535	3	4955	
15986 3.03/21	15445 3.09/21	14803 3.12/20	14106 3.14/19.7	13387 3.15/19.3	12494 3.12/18.7	11151 2.96/18.2	9603 2.75/17.6	8338 2.59/17.1	-	3618	560	3	5187	
16556 3.36/22	16038 3.42/22	15427 3.47/22	14754 3.49/21	14078 3.50/21	13283 3.49/20	12187 3.38/19.5	10640 3.15/19.0	9371 2.99/18.5	-	3619	580	5	5372	
17698 4.11/25	17218 4.17/25	16663 4.22/24	16040 4.25/24	15416 4.27/24	14752 4.28/23	13951 4.25/23	12842 4.10/22	11372 3.85/21	8936 3.47/20	3620	620	5	5742	
18269 4.52/26	17806 4.59/26	17275 4.64/26	16680 4.67/25	16072 4.69/25	15450 4.70/25	14727 4.69/24	13803 4.60/24	12509 4.37/23	10068 3.97/22	3621	640	5	5928	
18840 4.96/28	18393 5.03/27	17884 5.08/27	17315 5.12/27	16722 5.14/27	16130 5.16/26	15470 5.15/26	14678 5.11/25	13586 4.93/25	11030 4.46/23	3622	660	5	6113	

Power Ratings (BHP) does not include drive losses.  
 Performance certified is for installation type A - free inlet, free outlet.  
 Performance ratings include the effects of birdscreen in the airstream.  
 The sound ratings shown are loudness values in fan sones @ 5' (1.5m) in a hemispherical free field calculated per AMCA Standard 301. Values shown are for free inlet fan sone levels.



Soler & Palau USA, Div. of Soler & Palau Ventilation Group, certifies that the Models DB shown herein are licensed to bear the AMCA Seal. The ratings shown are based on test and procedures performed in accordance with AMCA Publication 211 and AMCA Publication 311 and comply with the requirement of the AMCA Certified Ratings Program.





Dimensional Data										
Damper OD	Roof Opening	Curb OD	A	B	C	D	E	F	Fan Wt	Ship Wt
48	50-1/4	53-1/4	73	40-1/2	55	10	54-5/8	2-1/2	425	700

### SIZE 42

CFM / BHP @ Static Pressure / Sones											Drive Range	RPM	HP	Tip Speed	
0	1/8	1/4	3/8	1/2	5/8	3/4	7/8	1	1-1/4	Catalog Number					
8498 .22/4.8	4889 .20/4.4	-	-	-	-	-	-	-	-	4201	DP68	180	1/2	1966	
9206 .28/5.5	6287 .28/5.1	-	-	-	-	-	-	-	-	4202		DP69	195	1/2	2129
9914 .35/6.3	7461 .36/5.9	-	-	-	-	-	-	-	-	4203			210	1/2	2293
10622 .43/7.1	8475 .45/6.8	-	-	-	-	-	-	-	-	4204		225	1/2	2457	
11330 .52/7.9	9396 .55/7.6	4910 .40/7.4	-	-	-	-	-	-	-	4205		240	1/2	2621	
12275 .66/9.0	10579 .70/8.8	7451 .62/8.6	-	-	-	-	-	-	-	4206		DP70	260	3/4	2839
12983 .78/9.8	11450 .83/9.5	8825 .78/9.2	-	-	-	-	-	-	-	4207			275	3/4	3003
13691 .92/10.5	12288 .97/10.2	10034 .94/9.9	4980 .63/9.8	-	-	-	-	-	-	4208		DP71	290	1	3167
14399 1.07/11.4	13101 1.12/11.0	11116 1.12/10.7	7740 .95/10.5	-	-	-	-	-	-	4209			305	1	3331
15343 1.29/12.7	14142 1.35/12.3	12411 1.36/11.9	9744 1.25/11.7	-	-	-	-	-	-	4210		DP72	325	1-1/2	3549
16051 1.48/13.6	14909 1.54/13.2	13323 1.56/12.9	7073 1.48/12.6	-	-	-	-	-	-	4211	340		1-1/2	3713	
16760 1.68/14.6	15670 1.75/14.3	14209 1.78/13.9	12276 1.73/13.6	9251 1.51/13.5	-	-	-	-	-	4212	DP73	355	2	3877	
17468 1.91/15.7	16424 1.97/15.4	15097 2.01/15.1	13368 1.99/14.7	10756 1.81/14.6	-	-	-	-	-	4213		370	2	4040	
17940 2.07/16.4	16925 2.13/16.0	15681 2.18/15.8	14051 2.17/15.5	11690 2.02/15.4	7879 1.61/15.3	-	-	-	-	4214		380	2	4150	
18884 2.41/17.7	17921 2.47/17.5	16818 2.54/17.2	15321 2.54/16.9	13399 2.44/16.7	10674 2.19/16.6	-	-	-	-	4215		400	3	4368	
20064 2.89/19.6	19158 2.96/19.4	18187 3.04/19.1	16827 3.05/18.9	15279 3.01/18.6	13084 2.82/18.5	10122 2.46/18.5	-	-	-	4216		425	3	4641	
20536 3.10/20	19650 3.17/20	18722 3.26/19.9	17415 3.27/19.7	15970 3.25/19.4	13969 3.08/19.3	11354 2.79/19.2	-	-	-	4217		DP74	435	5	4750
21245 3.43/22	20388 3.50/21	19503 3.59/21	18303 3.62/21	16950 3.61/21	15203 3.49/21	12874 3.23/20	9401 2.69/20	-	-	4218			450	5	4914
21953 3.78/23	21123 3.85/23	20276 3.95/22	19182 4.00/22	17883 3.99/22	16350 3.91/22	14281 3.69/22	11720 3.34/22	-	-	4219		465	5	5078	
22897 4.29/24	22101 4.36/24	21297 4.47/24	20323 4.53/24	19089 4.53/24	17764 4.50/24	16014 4.33/23	13804 4.04/23	10779 3.51/23	-	4220		485	5	5296	
23605 4.71/26	22832 4.78/26	22057 4.88/25	21158 4.96/25	19975 4.96/25	18753 4.95/25	17204 4.82/25	15217 4.57/25	12857 4.20/25	-	4221		500	5	5460	
23841 4.85/26	23076 4.92/26	22309 5.02/26	21432 5.11/26	20267 5.11/25	19070 5.11/25	17584 4.99/25	15675 4.75/25	13399 4.40/25	-	4222	505	5	5515		

Performance/Dimensional Data

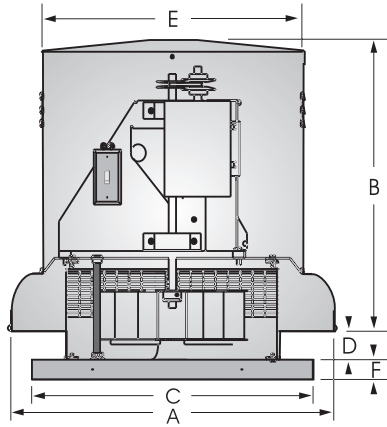
DB42

Power Ratings (BHP) does not include drive losses.  
 Performance certified is for installation type A - free inlet, free outlet.  
 Performance ratings include the effects of birdscreen in the airstream.  
 The sound ratings shown are loudness values in fan sones @ 5' (1.5m) in a hemispherical free field calculated per AMCA Standard 301. Values shown are for free inlet fan sone levels.



Soler & Palau USA, Div. of Soler & Palau Ventilation Group, certifies that the Models DB shown herein are licensed to bear the AMCA Seal. The ratings shown are based on test and procedures performed in accordance with AMCA Publication 211 and AMCA Publication 311 and comply with the requirement of the AMCA Certified Ratings Program.





Dimensional Data										
Damper OD	Roof Opening	Curb OD	A	B	C	D	E	F	Fan Wt	Ship Wt
48	50-1/4	53-1/4	73	40-1/2	55	113	54-5/8	2-1/2	550	830

### SIZE 48

DB48

CFM / BHP @ Static Pressure / Sones											Drive Range	RPM	HP	Tip Speed										
0	1/8	1/4	3/8	1/2	5/8	3/4	7/8	1	1-1/4	Catalog Number														
10045 .32/50	5359 .26/4.6	-	-	-	-	-	-	-	-	4801	DP76	165	1/2	2037										
10654 .39/5.5	6437 .33/5.0	-	-	-	-	-	-	-	-	4802		DP77	175	1/2	2161									
11567 .49/6.4	7829 .43/5.7	-	-	-	-	-	-	-	-	4803			DP78	190	1/2	2347								
12176 .58/7.0	8757 .52/6.3	-	-	-	-	-	-	-	-	4804				DP79	200	3/4	2470							
13275 .77/8.4	10548 .74/7.6	6116 .58/7.6	-	-	-	-	-	-	-	4805					DP80	220	3/4	2655						
14002 .88/9.1	11417 .85/8.3	7192 .69/8.1	-	-	-	-	-	-	-	4806						DP81	230	1	2841					
14611 1.00/9.8	12186 .97/9.0	8318 .82/8.6	-	-	-	-	-	-	-	4807							DP82	240	1	2964				
15524 1.19/10.6	13225 1.16/9.8	9822 1.03/9.4	5606 .80/9.8	-	-	-	-	-	-	4808								DP83	255	1-1/2	3149			
16895 1.58/11.9	14823 1.57/11.3	12444 1.49/10.7	8833 1.27/10.9	-	-	-	-	-	-	4809									DP84	280	1-1/2	3335		
17655 1.76/12.5	15564 1.72/11.9	13062 1.61/11.3	9755 1.43/11.4	5839 1.14/12.2	-	-	-	-	-	4810										DP85	290	2	3582	
18404 2.05/13.3	16508 2.04/12.8	14445 1.96/12.3	11623 1.80/12.3	7789 1.49/12.9	-	-	-	-	-	4811											DP86	305	2	3705
19481 2.36/14.1	17556 2.32/13.7	15721 2.27/13.4	12736 2.03/13.2	9574 1.81/13.7	5892 1.47/14.3	-	-	-	-	4812												DP87	320	3
19786 2.47/14.4	17895 2.44/14.1	16124 2.38/13.8	13190 2.14/13.5	10140 1.94/14.0	6643 1.61/14.5	-	-	-	-	4813	DP88												325	3
21003 2.96/16.0	19243 2.93/15.7	17628 2.87/15.3	15033 2.64/15.0	12358 2.49/15.2	9228 2.16/15.7	5498 1.73/16.5	-	-	-	4814		DP89											345	3
22221 3.50/17.7	20583 3.48/17.3	19000 3.41/17.0	16904 3.28/16.7	14294 3.01/16.5	11528 2.76/16.9	8509 2.41/17.4	-	-	-	4815			DP90										365	5
22829 3.80/18.5	21248 3.77/18.1	19675 3.71/17.8	17808 3.61/17.5	15205 3.28/17.2	12662 3.11/17.6	9759 2.74/18.0	6350 2.28/18.6	-	-	4816				DP91									375	5
24047 4.44/20	22570 4.42/19.9	21009 4.34/19.6	19505 4.27/19.2	17037 3.92/18.9	14761 3.80/19.0	12071 3.44/19.3	9289 3.07/19.7	5656 2.48/20	-	4817					DP92								395	5
25041 5.16/22	23683 5.16/22	22249 5.14/21	20797 5.03/21	19140 4.90/21	17240 4.71/20	14643 4.37/21	11899 3.95/21	8394 3.36/22	-	4818						DP93							415	5
26178 5.73/24	24856 5.72/23	23319 5.62/23	22107 5.57/23	20293 5.43/22	17971 4.98/22	15902 4.88/22	13421 4.49/22	10900 4.09/23	-	4819							DP94						430	7-1/2
26787 6.14/25	25504 6.13/24	23978 6.03/24	22793 5.97/24	21177 5.86/23	18892 5.40/23	16856 5.26/23	14569 4.97/23	12099 4.54/23	-	4820								DP95					440	7-1/2
27700 6.79/26	26472 6.78/26	24994 6.68/25	23809 6.62/25	22433 6.53/25	20321 6.17/24	18234 5.85/24	16202 5.69/24	13814 5.24/24	8702 4.29/25	4821									DP96				455	7-1/2
28613 7.48/28	27435 7.48/27	26008 7.38/27	24815 7.30/27	23616 7.23/26	21714 6.99/26	19592 6.50/25	17715 6.40/25	15532 6.05/26	10826 5.12/26	4822										DP97			470	7-1/2

Power Ratings (BHP) does not include drive losses.  
 Performance certified is for installation type A - free inlet, free outlet.  
 Performance ratings include the effects of birdscreen in the airstream.  
 The sound ratings shown are loudness values in fan sones @ 5' (1.5m) in a hemispherical free field calculated per AMCA Standard 301. Values shown are for free inlet fan sone levels.



Soler & Palau USA, Div. of Soler & Palau Ventilation Group, certifies that the Models DB shown herein are licensed to bear the AMCA Seal. The ratings shown are based on test and procedures performed in accordance with AMCA Publication 211 and AMCA Publication 311 and comply with the requirement of the AMCA Certified Ratings Program.





# Chemical Resistance Chart

REAGENT INVOLVED	PAINT SYSTEM				
	NON-COATED 3003 ALLOY ALUMINUM	AIR DRIED ALKYD ENAMEL	BAKED EPOXY	SYNTHETIC RESIN (EISENHEISS)	PHENOLIC (HERESITE)
MAXIMUM TEMPERATURE	300°F	200°F	250°F	300°F	140°F
ABRASION (DRY)	U	S	S	F	F
MOISTURE (WATER)	S	S	S	S	S
SATURATED STEAM	S	S	S	S	U
SALT SPRAY	L	L	S	S	F
ACETIC ACID	L	S	S	S	F
ACETONE	S	U	S	U	F
ALCOHOLS	S	S	S	S	F
ALUMINUM CHLORIDE	U	S	S	S	F
ALUMINUM SULPHATE	U	S	S	S	F
AMMONIA GAS	N	S	S	N	N
AMMONIUM CHLORIDE	U	S	S	F	F
AMMONIUM HYDROXIDE	F	S	S	F	U
AMMONIUM NITRATE	F	N	S	S	L
AMMONIUM SULPHATE	U	S	S	S	L
BENZENE	S	N	S	U	F
BLEACHING COMPOUNDS	N	F	N	N	N
BORIC ACID	U	S	S	S	F
BROMINE	L	S	F	N	N
BUTANOL	N	N	S	S	F
BUTYRIC ACID	F	N	S	N	N
CALCIUM CARBONATE	S	S	S	N	N
CALCIUM CHLORIDE,WET	U	N	N	F	F
CALCIUM CHLORIDE,DRY	U	S	S	S	F
CALCIUM HYDROXIDE	U	S	S	F	F
CALCIUM HYPOCHLORITE	U	N	N	S	U
CARBOLIC ACID	F	U	F	U	F
CARBON DISULPHIDE	S	U	S	U	F
CARBON MONOXIDE	S	S	S	N	N
CARBON TETRACHLORIDE	L	U	S	U	F
CARBONIC ACID	F	S	S	S	F
CHLORINE, WET OR HOT	U	N	F	N	N
CHLORINE, DRY	U	S	S	S	F
CHLORO BENZENE	N	N	N	N	F
CHLOROFORM	F	F	S	N	N
CHROMIC ACID	U	S	F	F	U
CITRIC ACID	L	S	S	S	F
COPPER SULPHATE	U	N	N	S	F
ETHANOL	N	N	S	S	F
ETHYL ACETATE	N	N	S	F	F
ETHYLENE DICHLORIDE	N	N	F	F	F
ETHYLENE GLYCOL	F	N	N	F	F
FERRIC CHLORIDE	U	N	N	S	F
FERRIC SULPHATE	U	N	N	S	F

REAGENT INVOLVED	PAINT SYSTEM				
	NON-COATED 3003 ALLOY ALUMINUM	AIR DRIED ALKYD ENAMEL	BAKED EPOXY	SYNTHETIC RESIN (EISENHEISS)	PHENOLIC (HERESITE)
MAXIMUM TEMPERATURE	300°F	200°F	250°F	300°F	140°F
FORMALDEHYDE	F	N	S	N	F
FORMIC ACID	U	F	N	N	F
GASOLINE	F	S	S	S	F
HYDROBROMIC ACID	L	S	F	N	N
HYDROCHLORIC ACID	U	S	F	S	F
HYDROCHLORUS ACID	L	S	F	N	N
HYDROFLUORIC ACID	U	U	F	U	U
HYDROGEN PEROXIDE	F	S	S	F	U
HYDROGEN SULPHIDE	L	N	S	F	F
LACQUER SOLVENTS	S	U	S	N	N
LACTIC ACID	U	S	L	S	F
LINSEED OIL	N	N	S	S	S
METHANOL	N	N	F	F	F
METHYL ETHYL KETONE	S	N	S	U	F
METHYL ISOBUTYL KETONE	S	N	F	U	F
MINERAL SPIRITS	N	N	S	F	F
NITRIC ACID	U	S	S	F	U
NITROUS ACID	F	S	S	N	N
OLEIC ACID	S	S	S	N	N
PETROLEUM ETHER	N	N	F	F	F
PHOSPHORIC ACID	U	S	S	S	F
POTASSIUM ALUM	N	N	N	S	F
POTASSIUM CYANIDE	L	S	S	N	N
POTASSIUM HYDROXIDE	U	S	S	F	U
POTASSIUM DICHROMATE	N	N	N	N	F
POTASSIUM NITRATE	N	N	S	N	N
PYROGALLIC ACID	F	N	S	N	N
SODIUM BISULPHATE	L	N	N	S	F
SODIUM CHLORIDE	L	N	S	S	F
SODIUM CYANIDE	L	S	S	N	N
SODIUM HYDROXIDE	U	S	S	F	U
SODIUM HYPOCHLORITE	U	N	N	F	U
SODIUM SULPHATE	S	N	N	S	F
SULPHURIC ACID	U	S	S	F	F
SULPHUROUS ACID	L	S	S	S	F
SULPHUR DIOXIDE	U	S	S	F	F
SULPHUR TRIOXIDE	U	L	S	N	N
TANNIC ACID	L	S	S	S	S
TOLUENE	S	U	S	U	F
TRICHLOROETHYLENE	F	N	S	U	F
VINEGAR	L	N	N	S	U
XYLOL	S	U	S	F	F

S - Suitable for heavy concentrations of fumes, including splash or condensation.

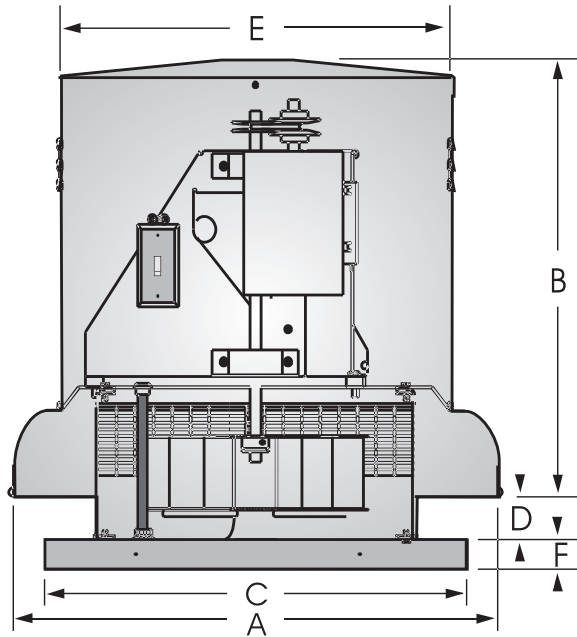
F - Suitable for mild concentrations of fumes, but no splash or condensation.

L - Suitable for light corrosion service, or intermittent exposure to light fume concentration. Not suitable if moisture, splash or condensation are present.

U - Unsatisfactory for use against corrosive agent listed.

N - No data available.

**NOTE:** Data presented is a summary of corrosion resistance characteristics of aluminum and the four coating systems shown. While single "letter" rating and a single temperature cannot possible describe all situations, this data is presented as a guide. Caution must be exercised where moisture and/or temperature along with a chemical reagent will be encountered.



- A. Skirt OD
- B. Height
- C. Curb Cap ID
- D. Skirt Height
- E. Motor Cover OD
- F. Curb Cap Flange
- G. Recommended Curb OD
- H. Recommended Minimum Roof Opening

Size	Dimensions (Inches)								Damper OD	Metal Gauge		
	A	B	C	D	E	F	G	H		Skirt	Cap	Motor Cover
6-8-9	20-1/2	17-1/2	16-1/2	3-1/2	16-1/8	1-3/4	14-3/4	11-1/2	11	0.063	0.063	0.050
11-12-14	28-3/8	23	24	3-1/2	22-1/2	2	22-1/4	19-1/2	18	0.090	0.063	0.050
16	32-1/4	24	24	6	26-1/4	2-1/2	22-1/4	19-1/2	18	0.090	0.063	0.050
18	32-1/4	24	29-1/2	4-1/2	26-1/4	2-1/2	27-3/4	24-3/4	24	0.090	0.063	0.050
20	36-3/4	24-1/2	29-1/2	4-1/2	26-1/4	2-1/2	27-3/4	24-3/4	24	0.090	0.063	0.050
24	41-1/4	26-1/2	35-3/4	8-1/2	30	2-1/2	33-3/4	30-3/4	30	0.090	0.063	0.050
30	58-3/8	37	42-1/2	5-1/2	41	2-1/2	40-3/4	37-3/4	36	0.100	0.063	0.050
36	58-3/8	37	42-1/2	10	41	2-1/2	40-3/4	37-3/4	36	0.100	0.063	0.050
42	73	40-1/2	55	10-1/2	54-5/8	2-1/2	53-1/4	50-1/4	48	0.100	0.063	0.050
48	73	40-1/2	55	13	54-5/8	2-1/2	53-1/4	50-1/4	48	0.100	0.063	0.050

# Additional Products

Soler & Palau USA manufactures a complete line of gravity ventilators and fans for all your ventilation requirements.



## MODEL DB

Backward Inclined  
Belt Drive  
Centrifugal Roof Exhaust



## MODEL RED

Backward Inclined  
Direct Drive  
Centrifugal Roof Exhaust



## MODEL SQB/SQD

Backward Inclined  
Belt Drive/Direct Drive  
Square Inline



## MODEL UBB/UBX/UBS

Propeller  
Belt and Direct Drive  
Upblast Roof Exhaust



## MODEL L

Propeller  
Belt Drive  
Sidewall Exhaust or Supply



## MODEL BGH

Gravity Hood  
Intake or Relief



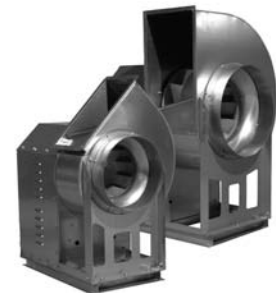
## MODEL KSF

Forward Curved Blower  
Belt Drive  
Filtered Roof Supply



## MODEL TXB/TXD

Backward Inclined  
Belt Drive/Direct Drive  
Centrifugal Upblast



## MODEL BVS

Backward Inclined  
Belt Drive  
Centrifugal Utility Set

DUE TO CONTINUING RESEARCH SOLER & PALAU USA RESERVES THE RIGHT TO CHANGE SPECIFICATIONS WITHOUT NOTICE

Distributed By:



Soler & Palau USA  
6393 Powers Avenue  
Jacksonville, FL 32217  
800.961.7370  
800.961.7379  
[www.solerpalau-usa.com](http://www.solerpalau-usa.com)