



# MODEL TXD-UL762 (Sizes 10-15 only) UPBLAST DIRECT DRIVE CENTRIFUGAL ROOF/SIDEWALL EXHAUSTER FOR RESTAURANT AND GENERAL APPLICATIONS



CENTRIFUGAL ROOF & WALL EXHAUSTERS

## APPLICATION

Isolation of the motor from the air stream and the high velocity vertical (roof) or horizontal (wall) air discharge make the Model TXD ideally suited for the removal of dirty, contaminated and/or high temperature air from processes and buildings. Typical applications include restaurant hoods and similar kitchen exhaust ventilation, fume and smoke removal, laboratory fume hood exhaust and chemical process exhaust.

The nonoverloading wheel with its higher static pressure capability makes this unit suitable for either ducted or nonducted applications. Its roof or wall mounting permits location near the area to be ventilated, allowing short duct runs and more efficient operation. Direct drive units use smaller diameter wheels, resulting in low sound levels and quiet operation. They have no belts or fan bearings to maintain or adjust and consequently require very little maintenance.

## CONSTRUCTION

### Housing

- Heavy-gauge aluminum housing and curb cap for strength and rigidity.
- Stainless steel exterior fasteners.
- Enclosed, ventilated motor compartment isolates motor from exhaust air.
- Neoprene isolators for reduction of vibration and sound.
- The motor compartment housing easily removes for complete maintenance access.
- Water-tight conduit tube for easy electrical connection without having to wire through the breather tube.
- Mounted disconnect is included on standard models.

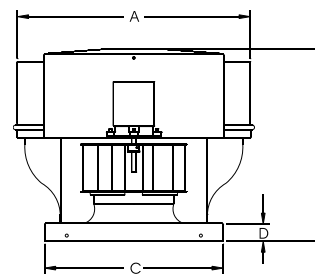
### Centrifugal Wheel

- Nonoverloading backward inclined for safe operation in ducted systems.
- Wheels constructed of noncorrosive aluminum.
- Statically and dynamically balanced for smooth operation.

## DIMENSIONAL DATA

MODEL TXD	A	B	C	D	ROOF OPENING	Average Ship Wt. Lbs.
6	24	22	16 1/2	2	12	70
8	24	22	16 1/2	2	12	70
10	27 1/4	22	16 1/2	2	12	73
12	31 1/2	23	24	2	19 1/4	115
14	31 1/2	23	24	2	19 1/4	120
15	31 1/2	23	24	2	19 1/4	120

**\*You can not use a damper in a grease application**



**\*Sizes 6-8 are not suitable for Restaurant applications**

MODEL TXD	RECOMMENDED 12" HIGH MOUNTING CURB		RECOMMENDED GRAVITY DAMPER		115 VOLT SPEED CONTROL	
	OD	STOCK NO.	OD	STOCK NO.	STOCK NO.	STOCK NO.
6	15	611214	11	411011	2727.1	N/A
8	15	611214	11	411011	2727.1	N/A

MODEL TXD	RECOMMENDED 12" HIGH MOUNTING CURB		18" HIGH MOUNTING CURB	RECOMMENDED GRAVITY DAMPER		115 VOLT SPEED CONTROL	
	OD	STOCK NO.	STOCK NO.	OD	STOCK NO.	STOCK NO.	STOCK NO.
10	15	611214	621815V	11	411011	2727.1	N/A
12	22 1/4	611222	621823V	18	411018	2727.1	2828.1
14	22 1/4	611222	621823V	18	411018	2727.1	N/A
15	22 1/4	611222	621823V	18	411018	N/A	2828.1

**SPEED CONTROL 2727.1 MAX 1/3 HP-5 AMP 120V  
2828.1 MAX 1/2 HP-10 AMP 120V**

ALL DIMENSIONS IN INCHES, WEIGHTS IN POUNDS. OD IS OUTSIDE DIMENSION OF SQUARE CURB AND DAMPER. DUE TO CONTINUING RESEARCH, SOLER & PALAU RESERVES THE RIGHT TO CHANGE SPECIFICATIONS WITHOUT NOTICE.

## Speed Controllable Motors

- Standard motors are single speed, speed controllable and drip-proof.
- All motors are rated for continuous duty.
- Disconnect is standard with single speed drip-proof motors.
- Motors ship mounted as standard.

## ACCESSORIES

### Solid State Speed Control:

Control is matched to the motor and blower wheel to allow continuous reduction in performance allowing adjustments of airflow for system balancing. CFM is reduced in direct proportion to motor speed reduction. Speed control is only available for 115 volt single phase. Exhauster performance can be controlled from the ventilated area.

## AMCA SEAL



Soler & Palau USA, certifies that the Models TXD shown herein are licensed to bear the AMCA Seal. The ratings shown are based on test and procedures performed in accordance with AMCA Publication 211 and AMCA Publication 311 and comply with the requirement of the AMCA Certified Ratings Program.



LISTED POWER ROOF VENTILATOR  
UL STANDARD 705 sizes 6-8  
UL STANDARD 762 sizes 10-15 **ONLY**

<b>MODEL TXD</b>					<b>Upblast Direct Drive Centrifugal Roof/Sidewall Exhauster</b>										Ventilator with Open Drip-proof Motor	
Model TXD	Motor Hp	Max. BHp	RPM	Sones @ 1/8 SP	CFM at Static Pressure										115/1/60	208-230/1/60
					0	1/8	1/4	3/8	1/2	5/8	3/4	7/8	1	Stock No.	Stock No.	
6	1/10	0.09	1795	7.7	410	370	328	276	203	-	-	-	-	-	TXD06JH1AS	TXD06JH1CS
8	1/4	0.07	1130	6.2	886	783	644	441	-	-	-	-	-	-	TXD08MM1AS	TXD08MM1CS
	1/4	0.24	1740	13.8	1364	1300	1232	1158	1072	960	851	698	510	TXD08MH1AS	TXD08MH1CS	
10	1/4	0.27	1650	14.7	1527	1460	1398	1325	1236	1129	1011	883	747	TXD10RHULMH1AS	TXD10RHULMH1CS	
12	1/4	0.16	1140	9.6	1616	1487	1338	1161	983	760	462	-	-	TXD12RHULMM1AS	TXD12RHULMM1CS	
	1/2	0.55	1730	21.0	2453	2364	2281	2196	2097	1985	1867	1751	1638	TXD12RHULQH1AS	TXD12RHULQH1CS	
14	1/4	0.25	1130	10.4	2060	1939	1798	1638	1439	1177	856	-	-	TXD14RHULMM1AS	TXD14RHULMM1CS	
15	1/2	0.41	1155	13.2	2786	2653	2491	2313	2104	1863	1623	1362	969	TXD15RHULQM1AS	TXD15RHULQM1CS	
	3/4	0.70	1650	22	3044	2964	2887	2811	2736	2659	2582	2502	2420	TXD15RHULRH1AS	-	

Speed (RPM) shown is nominal. Performance is based on actual speed of test.  
 Performance certified is for installation type A-free inlet, free outlet.  
 Performance ratings include the effects of birdscreen in the airstream.

The sound ratings shown are the loudness values in the fan sones @ 5' (1.5m) in an hemispherical free field calculated per AMCA Standard 301.  
 Values shown are for Installation Type A-Free inlet fan sone levels.

<b>Performance Data at Reduced Speed</b>														
Model TXD	Motor Hp	Max. BHp	RPM	Sones @ 1/8 SP	CFM at Static Pressure									
					0	1/8	1/4	3/8	1/2	5/8	3/4	7/8	1	
6-1550	1/10	0.02	1150	2.4	253	185	-	-	-	-	-	-	-	-
		0.05	1470	5.1	335	286	227	115	-	-	-	-	-	-
8-1075	1/4	0.01	680	1.2	533	302	-	-	-	-	-	-	-	-
		0.03	860	3.2	674	525	-	-	-	-	-	-	-	-
		0.05	1040	5.2	815	701	536	-	-	-	-	-	-	-
8-1625	1/4	0.10	1405	9.3	1101	1021	930	814	673	468	-	-	-	
10-1625	1/4	0.10	1185	7.8	1097	1007	896	742	561	318	-	-	-	
		0.20	1500	12.3	1388	1316	1245	1155	1043	914	771	615	407	
12-1075	1/4	0.03	680	3.3	964	712	352	-	-	-	-	-	-	
		0.08	905	6.5	1283	1116	897	649	-	-	-	-	-	
12-1625	1/2	0.17	1175	10.2	1666	1540	1399	1228	1060	855	599	-	-	
		0.32	1445	14.9	2049	1945	1844	1724	1586	1446	1310	1152	969	
14-1075	1/4	0.05	680	3.6	1240	1011	609	-	-	-	-	-	-	
		0.13	905	6.8	1650	1491	1294	1020	617	-	-	-	-	
15-1140	1/2	0.05	570	3.1	1375	1027	422	-	-	-	-	-	-	
		0.18	885	8.2	2135	1948	1710	1406	1087	-	-	-	-	

Model in reduced speed table indicates size and motor RPM of base unit.  
 Performance is for that base unit operated at a reduced speed using the solid state speed control accessory.

AMCA Seal for sound rating does not apply to units with speed control.

Use 5 AMP Speed Control for motors 1/3 HP and smaller.  
 Use 10 AMP Speed Control for motors 1/2.

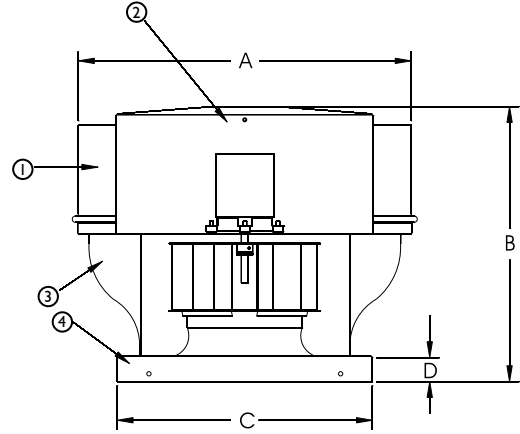
# TXD - DIRECT DRIVE CENTRIFUGAL UPBLAST ROOF EXHAUSTER



SUBMITTAL DRAWING

## STANDARD CONSTRUCTION FEATURES

- Aluminum housing with stainless steel exterior fasteners.
- UL 705 listed.
- Aluminum backward inclined wheel.
- Prepunched aluminum curb cap with welded corners.
- Single piece aluminum birdscreen & windband.
- Neoprene vibration mounts.
- Conduit wiring chase.
- Factory disconnect switch or plug type. (except XP & 2 speed).



SIZE	DIMENSIONS (IN.)			
	A	B	C	D
6 / 8	24	22	16 1/2	2
10	27 1/4	22	16 1/2	2
12	31 1/2	23	24	2
14 / 15	31 1/2	23	24	2



Soler & Palau USA, certifies that the Models TXD shown herein are licensed to bear the AMCA Seal. The ratings shown are based on test and procedures performed in accordance with AMCA Publication 211 and AMCA Publication 311 and comply with the requirement of the AMCA Certified Ratings Program.



- A - Outside diameter of unit.
- B - Height of unit.
- C - Inside dimension of square curb cap.
- D - Motor compartment diameter.

SIZE	DIMENSIONS (IN.)			ALUMINUM METAL GAUGES				FAN WT. (LBS)	AVG. SHIP WT. (LBS)
	DAMPER OD	ROOF OPENING	CURB OD	WIND BAND ①	MOTOR COVER ②	SHROUD ③	BASE ④		
6 / 8	11	12	15	.050	.080	.063	.050	37	70
10	11	12	15	.050	.050	.063	.063	40	73
12	18	19 1/4	22 1/4	.050	.050	.063	.063	70	115
14 / 15	18	19 1/4	22 1/4	.050	.050	.063	.063	75	120

FAN SPECIFICATIONS									MOTOR SPECIFICATIONS				
Line	Qty.	Model No.	Tag	CFM	SP	Fan RPM	BHP	Sones	HP	Volts	Phase	Hertz	Encl
1													
2													
3													
4													
5													

ACCESSORY ITEMS					ACCESSORY ITEMS						
	1	2	3	4	5		1	2	3	4	5
<input type="checkbox"/>						<input type="checkbox"/>					
<input type="checkbox"/>						<input type="checkbox"/>					
<input type="checkbox"/>						<input type="checkbox"/>					
<input type="checkbox"/>						<input type="checkbox"/>					
<input type="checkbox"/>						<input type="checkbox"/>					