

TRCeN 800V-230

ENERGY RECOVERY VENTILATOR EC MOTOR



NEW! INDOOR UNIT

SPECIFICATIONS



Ventilation Type:
Static plate, heat and humidity transfer

Airflow Range: 250–1100 CFM

AHRI 1060 Certified Core:
One L125-G5

Standard Features:
Non-fused disconnect
24VAC transformer/relay package
Cross-core differential pressure ports
Independent blower control

Filters:
Total Qty. 2, MERV 8: 20" x 20" x 2"

Unit Weight:
204 lbs.

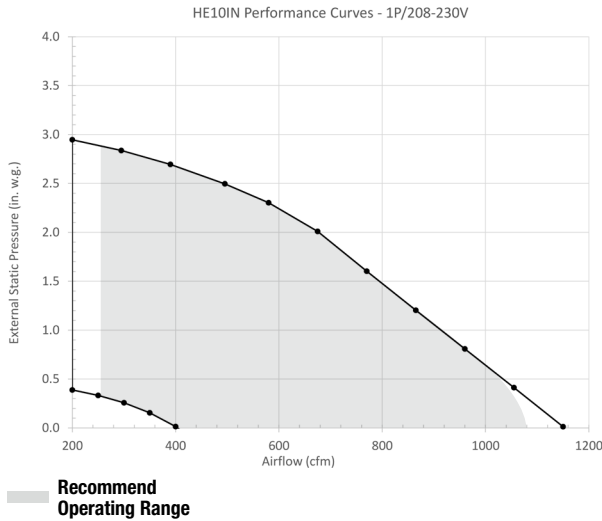
Max. Shipping Dimensions & Weight (on pallet):
60" L x 30" W x 55 1/4" H
260 lbs.

Motor(s):
Qty. 2, 370W ea., Direct drive EC motorized
impeller packages (208–230V/1Ph/60Hz)

Energy recovery core is AHRI Certified®



EC MOTOR OPERATING RANGE AND FAN PERFORMANCE



HE10IN MOTOR 1P/208-230V		
Airflow (CFM)	External Static Pressure (Inches Water Column)	Unit Power Consumption (Watts)
200	2.95	571
295	2.84	658
390	2.69	737
495	2.50	813
580	2.30	864
675	2.01	900
770	1.60	900
865	1.20	900
960	0.81	900
1055	0.41	900
1150	0.01	900

Note: Airflow performance includes effect of clean, standard filter supplied with unit.

ELECTRICAL DATA

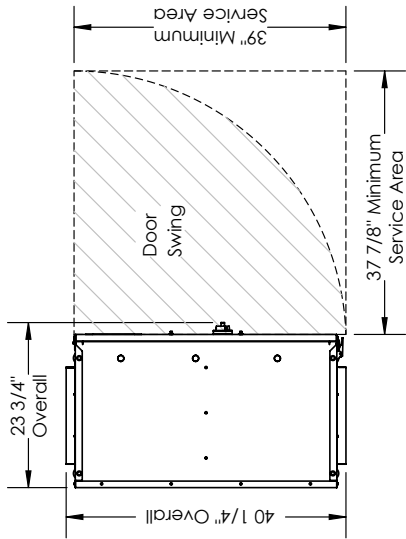
Watts	Volts	Hz	Phase	FLA per motor	Min. Cir. Amps	Max. Overcurrent Protection Device
370	208–230	60	Single	1.73	3.9	20

TRCeN800V-230 ENERGY RECOVERY VENTILATOR EC MOTOR

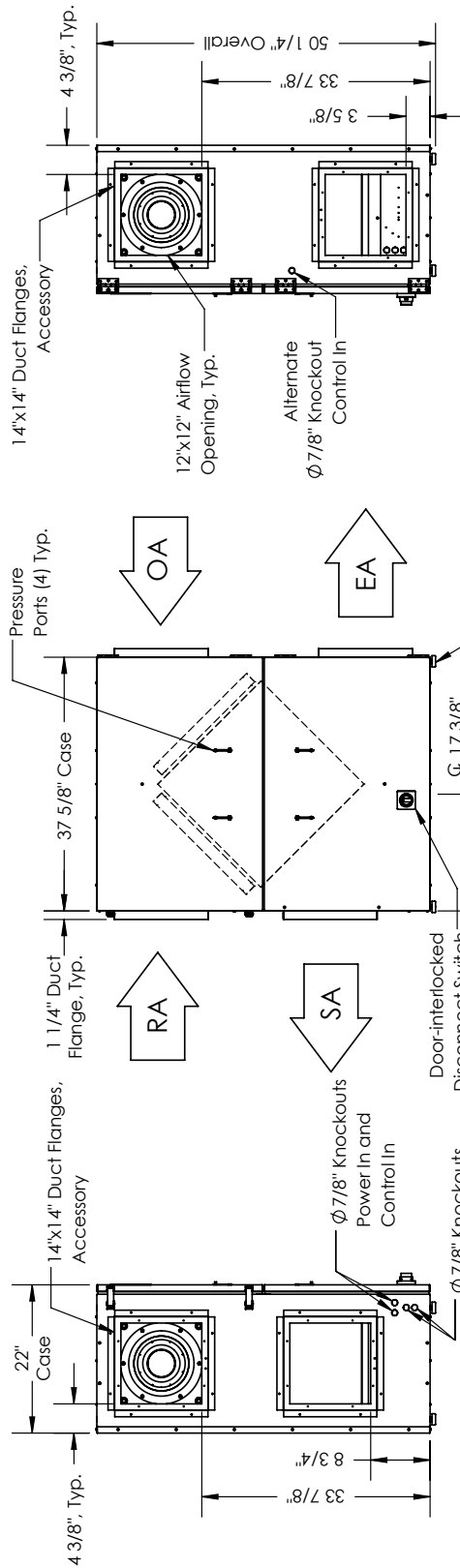
ABBREVIATIONS
 EA: Exhaust Air to Outside
 OA: Outside Air Intake
 RA: Room Air to be Exhausted
 SA: Supply Air to Inside

INSTALLATION ORIENTATION
 Unit may be installed in any orientation.

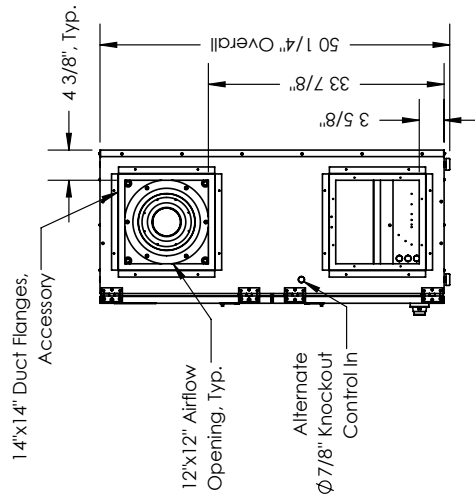
NOTE
 1. UNLESS OTHERWISE SPECIFIED, DIMENSIONS ARE ROUNDED TO THE NEAREST EIGHTH OF AN INCH.
 2. SPECIFICATIONS MAY BE SUBJECT TO CHANGE WITHOUT NOTICE.



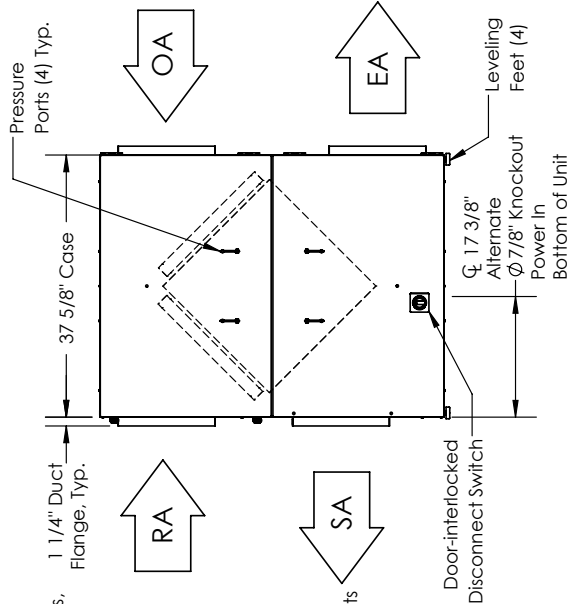
TOP VIEW



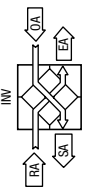
FRONT VIEW



RIGHT VIEW



LEFT VIEW



AIRFLOW ORIENTATION
 Available as shown:



UNIT MOUNTING & APPLICATION
 Can be mounted in any orientation. RA/EA airstream can be switched with OA/SA airstream unless certain options are selected.