

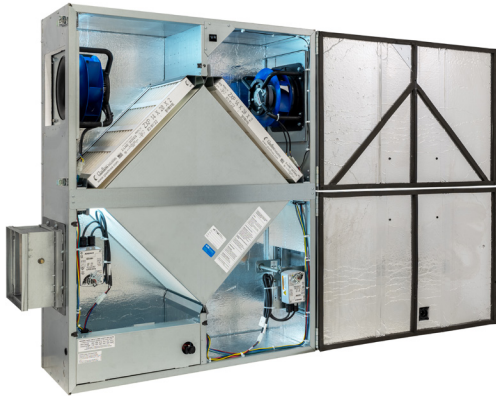
TRCeN 500V-230

ENERGY RECOVERY VENTILATOR EC MOTOR



NEW! INDOOR UNIT

SPECIFICATIONS



Ventilation Type:
Static plate, heat and humidity transfer

Airflow Range: 166–488 CFM

AHRI 1060 Certified Core:
One L85-G5

Standard Features:
Non-fused disconnect
24VAC transformer/relay package
Cross-core differential pressure ports
Independent blower control

Filters:
Total Qty. 2, MERV 8: 14" x 20" x 2"

Unit Weight:
148 lbs.

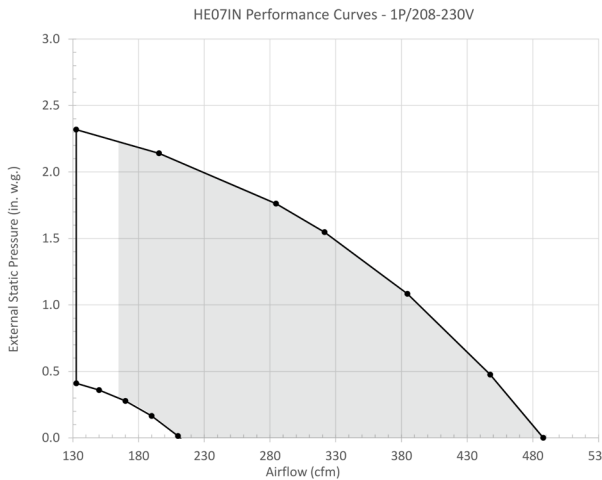
Max. Shipping Dimensions & Weight (on pallet):
60" L x 30" W x 55 1/4" H
205 lbs.

Motor(s):
Qty. 2, 170W ea., Direct drive EC motorized
impeller packages (208–230V/1Ph/60Hz)

Energy recovery core is AHRI Certified®



EC MOTOR OPERATING RANGE AND FAN PERFORMANCE



Recommended Operating Range

HE07IN MOTOR 1P/208–230V		
Airflow (CFM)	External Static Pressure (Inches Water Column)	Unit Power Consumption (Watts)
133	2.32	278
196	2.14	323
285	1.76	383
322	1.55	402
385	1.08	418
448	0.48	408
488	0.00	384

Note: Airflow performance includes effect of clean, standard filter supplied with unit.

ELECTRICAL DATA

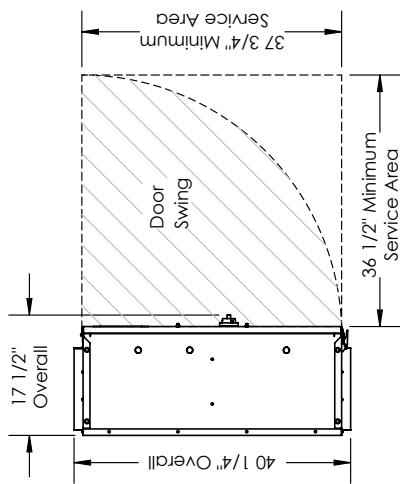
Watts	Volts	Hz	Phase	FLA per motor	Min. Cir. Amps	Max. Overcurrent Protection Device
170	208–230	60	Single	1.16	2.6	15

TRCeN500V-230 ENERGY RECOVERY VENTILATOR EC MOTOR

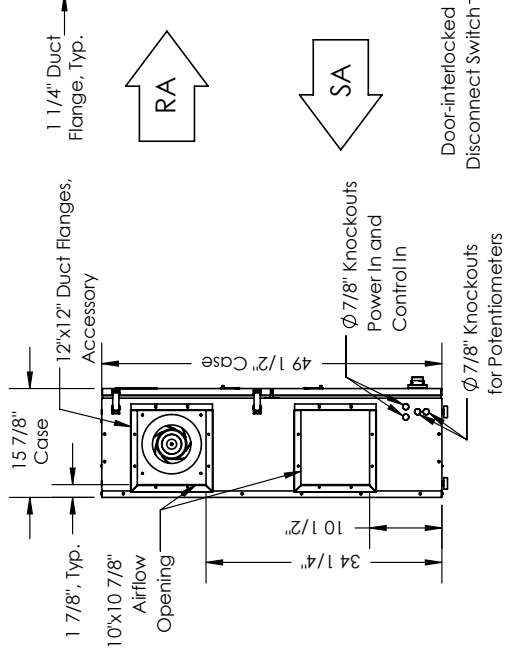
ABBREVIATIONS
 EA: Exhaust Air To Outside
 OA: Outside Air Intake
 RA: Room Air to be Exhausted
 SA: Supply Air to Inside

INSTALLATION ORIENTATION
 Unit may be installed in any orientation.

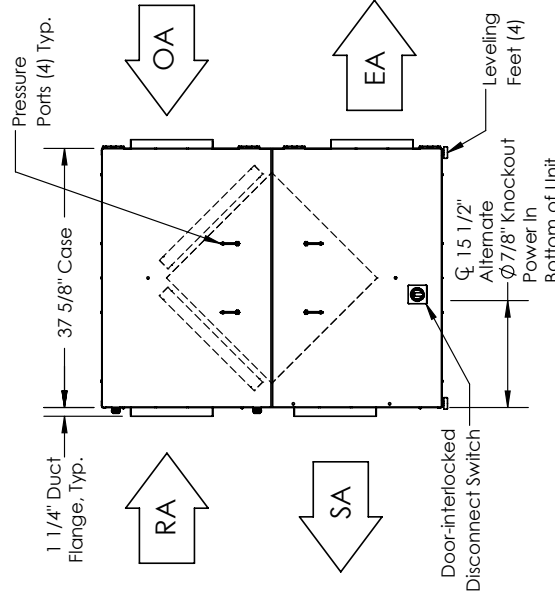
NOTE
 1. UNLESS OTHERWISE SPECIFIED, DIMENSIONS ARE ROUNDED TO THE NEAREST EIGHTH OF AN INCH.
 2. SPECIFICATIONS MAY BE SUBJECT TO CHANGE WITHOUT NOTICE.



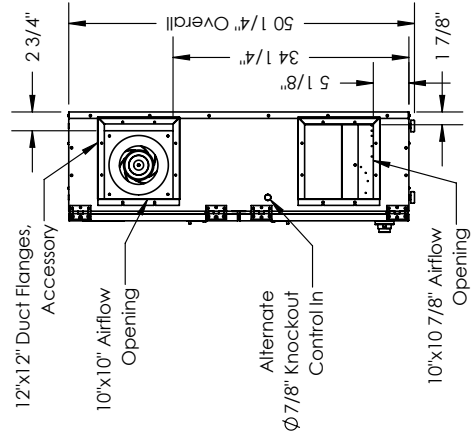
TOP VIEW



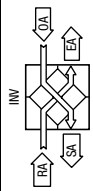
LEFT VIEW



FRONT VIEW



RIGHT VIEW



AIRFLOW ORIENTATION
 Available as shown:



UNIT MOUNTING & APPLICATION
 Can be mounted in any orientation. RA/EA airstream can be switched with OA/SA airstream unless certain options are selected.