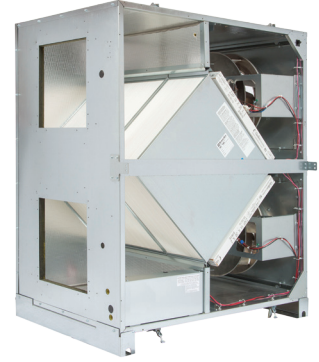




# MODEL TRCe1200

(Energy Recovery Ventilators (ERV) with EC Motor)



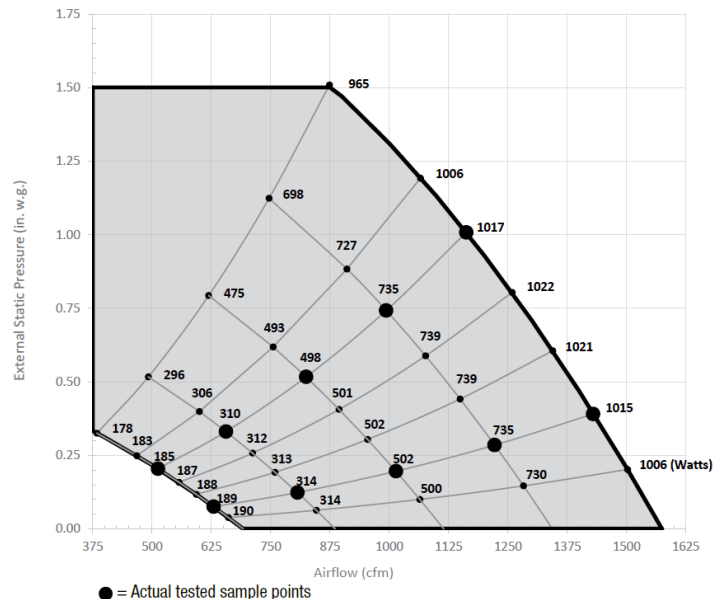
## Specifications

Ventilation Type: Static Plate, Heat and Humidity Transfer						
Typical Airflow Range: 375-1,575 CFM						
AHRI 1060 Certified Cores: One L62-G5 and one L125-G5						
Motors: Qty 2, 1.0 HP ea., Direct Drive EC blower/motor package						
Drive HP	V	Hz	Phase	FLA (per motor)	Min. Cir. Amps	Max. Overcurrent Protection Device
1.0	120	60	Single	8.0	18.0	20
	208-230	60	Single	6.2	14.0	15
Standard Features: Non-Fused Disconnect 24 VAC Transformer/Relay Package Cross-core differential pressure ports						
Filters: Total Qty. 4, MERV 8: (2) 14" x 20" x 2" and (2) 16" x 20" x 2"						
Weight: 336-504 lbs., varies by option(s), 571 lbs (Shipped)						
Shipping Dimensions & Weight (max. on pallet): 70" L x 47" W x 53" H						

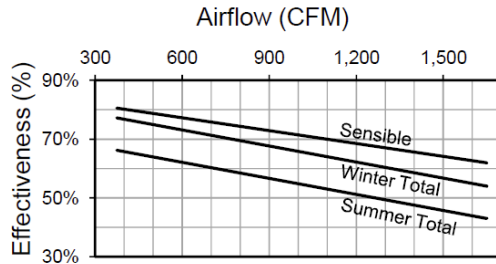
## Performance

Airflow CFM	ESP in H <sub>2</sub> O	Watts
630	0.07	189
807	0.12	314
1014	0.20	502
1222	0.28	735
1430	0.39	1015
513	0.20	185
656	0.33	310
825	0.52	498
994	0.74	735
1163	1.01	1017

Note: Watts is for the entire unit.  
Note: Airflow performance includes effect of clean, standard filter supplied with unit.



## Core Performance



At AHRI 1060 standard conditions. See all AHRI certified ratings at [www.ahrinet.org](http://www.ahrinet.org).



# Dimensions

# MODEL TRCe1200

**ABBREVIATIONS**

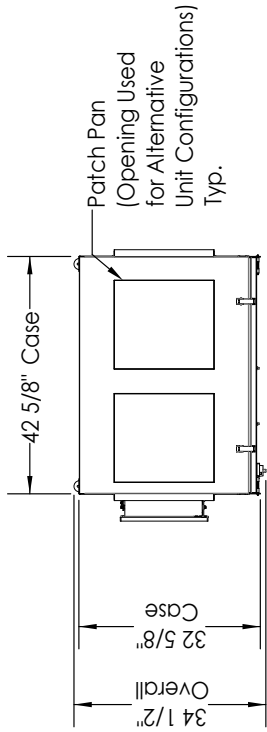
- EA: Exhaust Air to outside
- OA: Outside Air intake
- RA: Room Air to be exhausted
- FA: Fresh Air to inside

**INSTALLATION ORIENTATION**

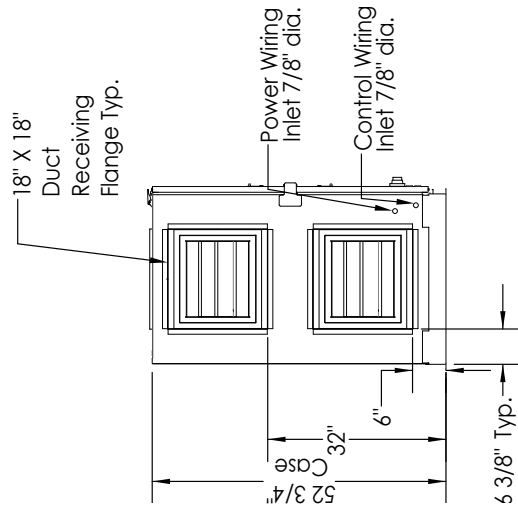
Unit may be installed in any orientation.

**NOTE**

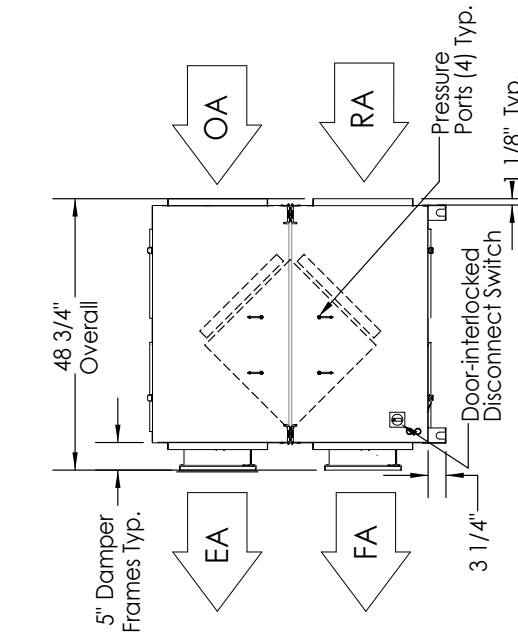
1. UNLESS OTHERWISE SPECIFIED, DIMENSIONS ARE ROUNDED TO THE NEAREST EIGHTH OF AN INCH.
2. SPECIFICATIONS MAY BE SUBJECT TO CHANGE WITHOUT NOTICE.



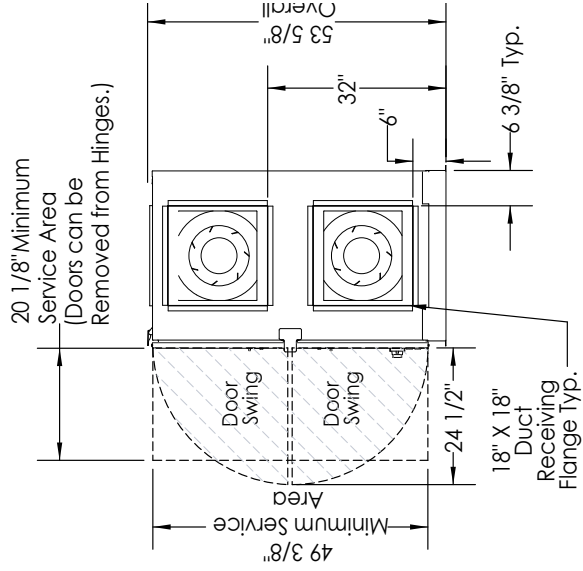
TOP VIEW



LEFT VIEW



FRONT VIEW



RIGHT VIEW