



# MODEL SWF SIDEWALL FAN

(For High Static Pressure Applications with Minimum Space)



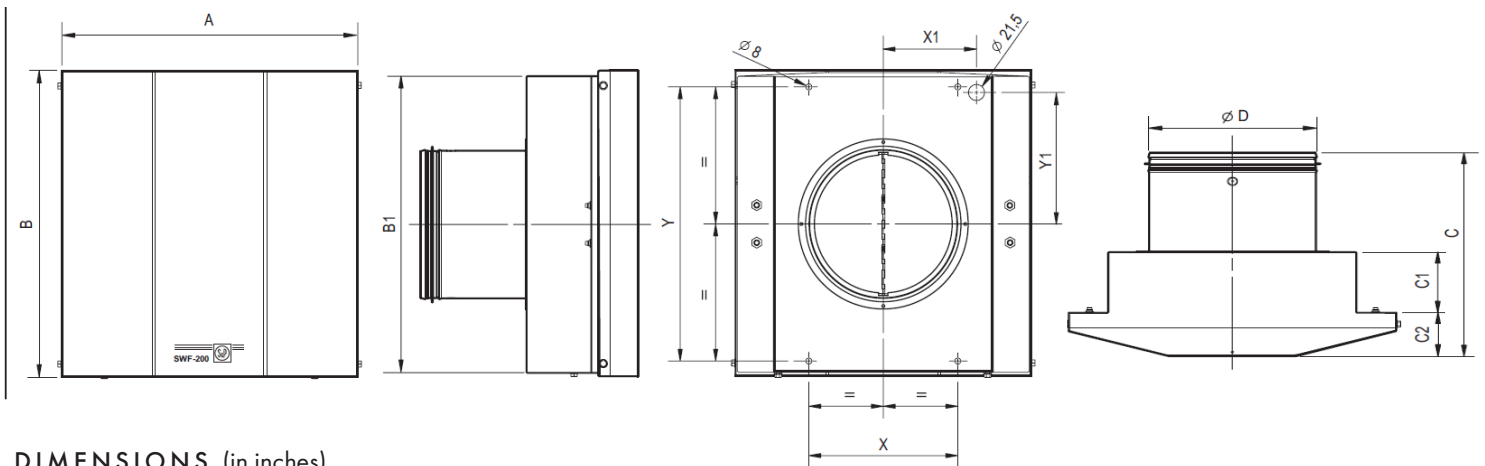
## STANDARD FEATURES

- Manufactured from high grade pressed galvanized steel, with baked enamel coating.
- Removable top for easy access to motor for cleaning or inspection.
- Large grille opening for easy passing of lint and other potentially clogging materials.
- Supplied with a prewired junction box.
- Backward curved centrifugal impeller.
- Factory matched to an external rotor motor and dynamically balanced to eliminate vibration.
- Totally enclosed permanent split capacitor start and run external rotor motor.
- 120V 60Hz (single phase) electrical connection.
- Permanently sealed, self lubricating precision ball bearings.
- Safety Thermal Overload Protection Cut-Out (Automatic Reset Type).
- All Models are suitable for working airstreams up to 140° F

Model	HVI CERTIFIED RATINGS			OTHER PERFORMANCE INDICATORS										
	CFM @ 0.1"	CFM @ 0.2"	WATTS	RPM	Volts	Frequency	Current	0.25"	0.375"	0.5"	0.75"	1.0"	1.25"	1.5"
SWF-100	100	88	57.4	2200	120	60 HZ	0.52 A	92	78	64	44	26	-	-
SWF-100X	130	121	71.5	2600	120	60 HZ	0.8 A	152	142	118	90	66	46	28
SWF-150	220	201	78.5	2600	120	60 HZ	0.8 A	197	181	168	122	81	60	27
SWF-150X	290	276	111	2800	120	60 HZ	1.0 A	310	287	266	230	192	147	96
SWF-200	400	379	130	2800	120	60 HZ	1.0 A	368	341	324	287	233	184	132

\*Values are based on as tested data

NOTE: HVI Certified performances are at .1" & .2" of static pressure



## DIMENSIONS (in inches)

Model	A	A1	B	B1	C	C1	C2	D	X	X1	Y	Y1
SWF-100	13-1/4	9-11/16	13-1/4	12-7/8	9	3	2-7/16	4	5-29/32	3-15/16	11-5/8	5-1/2
SWF-100X	13-1/4	9-11/16	13-1/4	12-7/8	9	3	2-7/16	4	5-29/32	3-15/16	11-5/8	5-1/2
SWF-150	13-1/4	9-11/16	13-1/4	12-7/8	10-1/4	3-3/16	2-7/16	6	5-29/32	3-15/16	11-5/8	5-1/2
SWF-150X	15-9/16	11-9/16	16-1/16	15-11/16	10	3	2-7/16	6	7-27/32	4-29/32	14-13/32	6-29/32
SWF-200	15-9/16	11-9/16	16-1/16	15-11/16	11-7/16	3-7/16	2-7/16	8	7-27/32	4-29/32	14-13/32	6-29/32