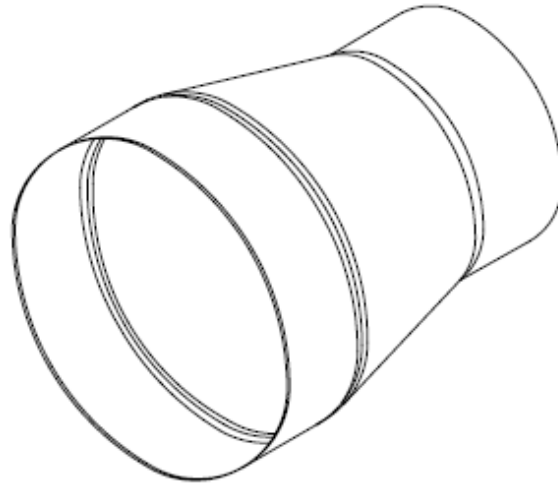




SR5-4M - Sheet Metal Increaser/Reducer



Specifications

Size	Length	Gauge
5" - 4"	7-1/2"	30

ACCESSORY MODEL	1	2	3	4	5	REMARKS

Project: _____	Submitted: _____
Customer: _____	Approved: _____
Location: _____	

For more information contact us at www.solerpalau-usa.com or 1.800.961.7370 for additional submittal drawings.

Soler & Palau will not be responsible for fabrication changes or errors resulting from customer use of a non-current submittal drawing.