



# ReFresh RF8-120AC

## Submittal



### RF8-120AC

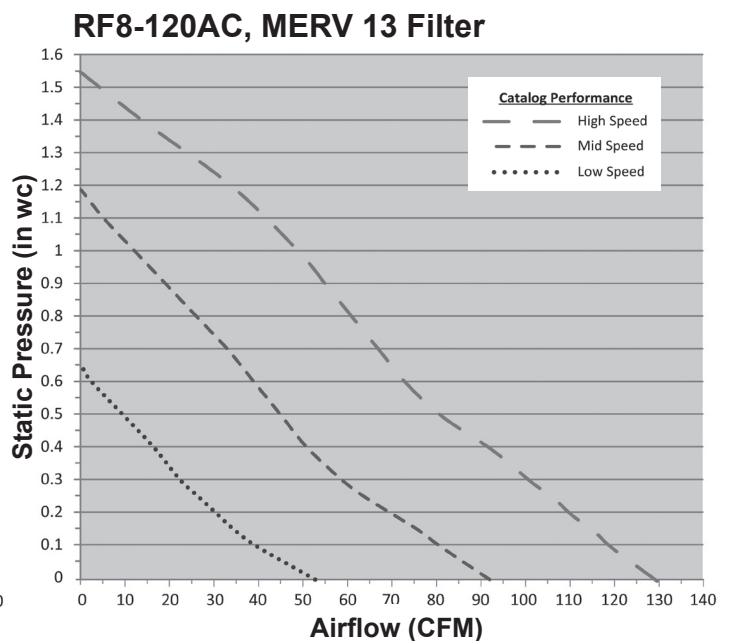
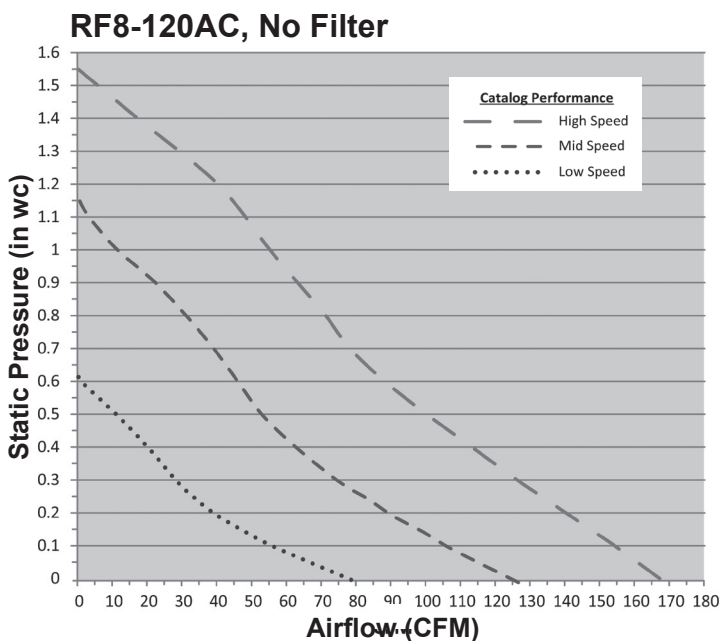


### Specifications

- Low profile, galvanized, 26 ga., insulated housing
- 6" round duct connectors
- Test port for easy air flow measurement
- 2" wide filter slot for optional 8 x 8 x 2" filters
- Integral mounting tabs allow mounting in any orientation
- Backward inclined wheel
- Speed controllable, AC motor, 120V, 60 Hz
- 4 pole, permanently lubricated, thermally protected motor
- Internally mounted rotary speed control to set required intake with high, medium and low set points
- 6' power cord
- Inlet guard for motor protection
- HVI Certified performance with and without optional MERV13 Filters
- cULus 507 Listed

### Options and Accessories

- 8 x 8 x 2" MERV8 or MERV13 filters
- Steel backdraft dampers
- Motorized backdraft damper
- Duct heater





# ReFresh RF8-120AC

## Submittal

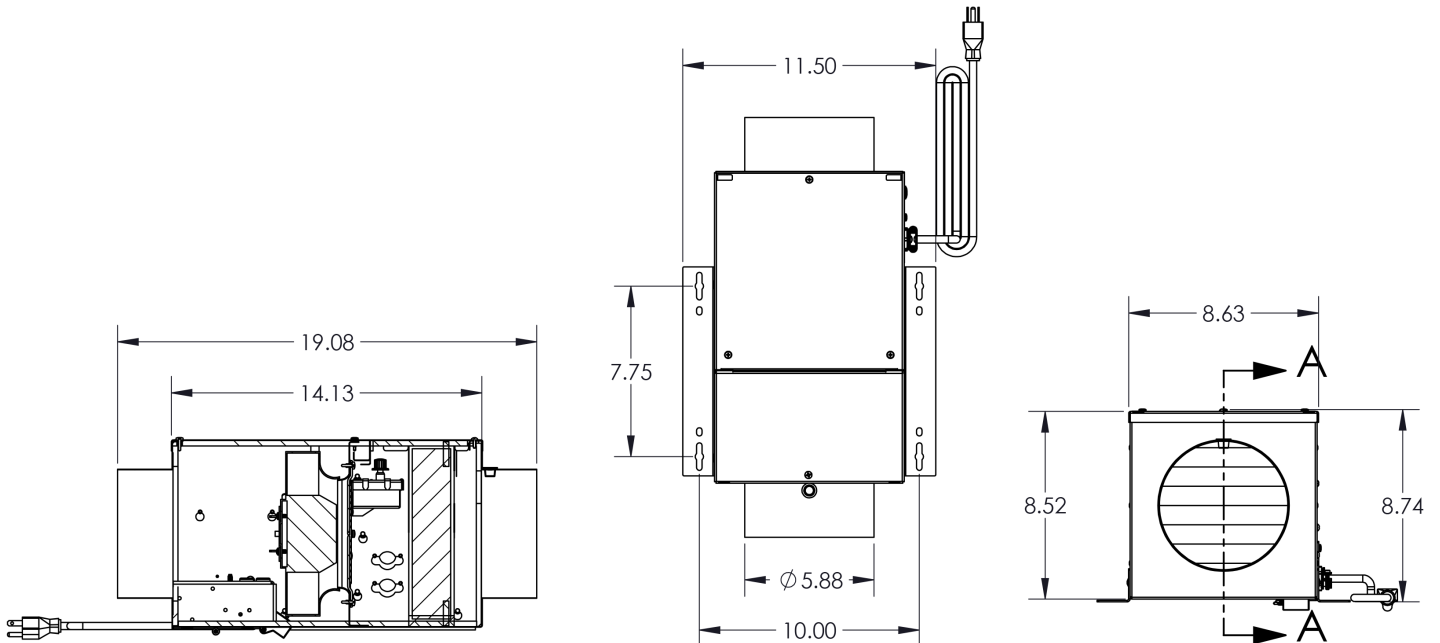
### HVI Certified Performance

Model	Speed Setting	Speed (RPM)	CFM @ Static Pressure (inches w.g.)								Amps @ .2" SP	Watts @ .2" SP	Efficacy (CFM/Watts) @ .2" SP
			0	.1	.15	.2	.25	.3	.4	.5			
RF8-120AC	LS	1480	79	57	48	40	34	29	21	-	0.48	37.3	1.2
	MS	2040	126	107	99	90	83	75	63	53	0.57	55.9	1.6
	HS	2500	167	154	147	140	133	126	113	100	0.63	74.1	1.9
RF8-120AC (With MERV 13 Filter)	LS	1510	52	39	34	30	26	22	16	-	0.48	37.4	1.0
	MS	2090	92	81	76	70	64	59	51	45	0.58	56.3	1.4
	HS	2530	129	119	115	110	106	101	92	81	0.63	73.3	1.6

Speed is Nominal.

Performances at .2" of w.g. are HVI certified.

### Dimensions (in)





ADVANCING VENTILATION®

## RF8-120AC-ES24V



# ReFresh RF8-120AC-ES24V Submittal



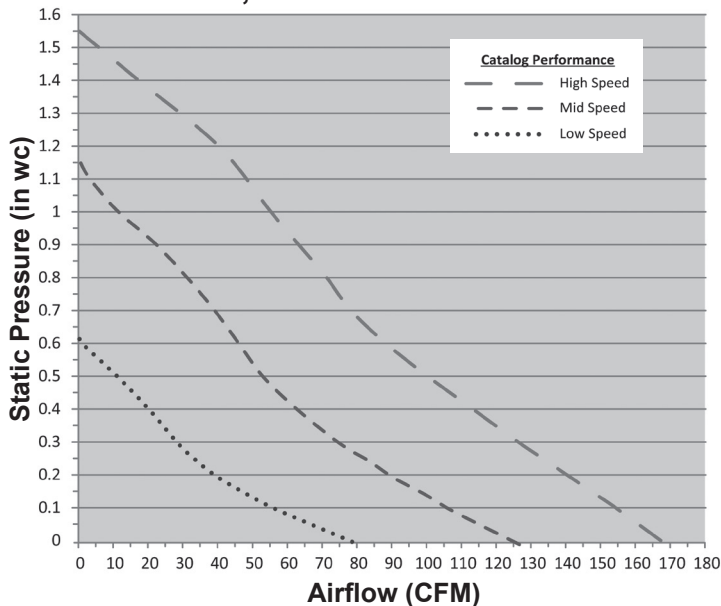
### Specifications

- ES24V – EnviroSense Ventilation Control mounted to outside of unit
- Low profile, galvanized, 26 ga., insulated housing
- 6” round duct connectors
- Test port for easy air flow measurement
- 2” wide filter slot for optional 8 x 8 x 2” filters
- Integral mounting tabs allow mounting in any orientation
- Backward inclined wheel
- Speed controllable, AC motor, 120V, 60 Hz
- 4 pole, permanently lubricated, thermally protected motor
- Internally mounted rotary speed control to set required intake with high, medium and low set points
- 6’ power cord
- Inlet guard for motor protection
- cULus 507 Listed

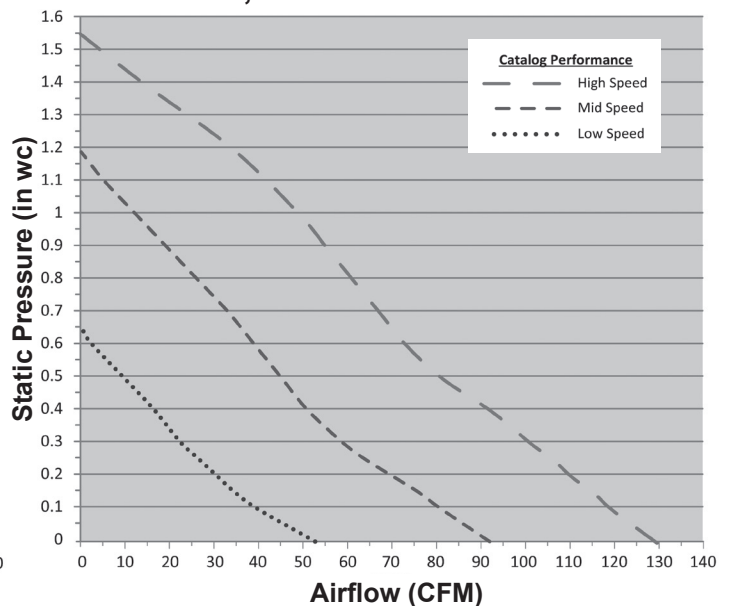
### Options and Accessories

- 8 x 8 x 2” MERV8 or MERV13 filters
- Steel backdraft dampers
- Motorized backdraft damper
- Duct heater

#### RF8-120AC, No Filter



#### RF8-120AC, MERV 13 Filter



All specifications are subject to change without notice unless approved in submittal by S&P USA.  
RF8-120AC-ES24V\_03022022



# ReFresh RF8-120AC-ES24V

## Submittal

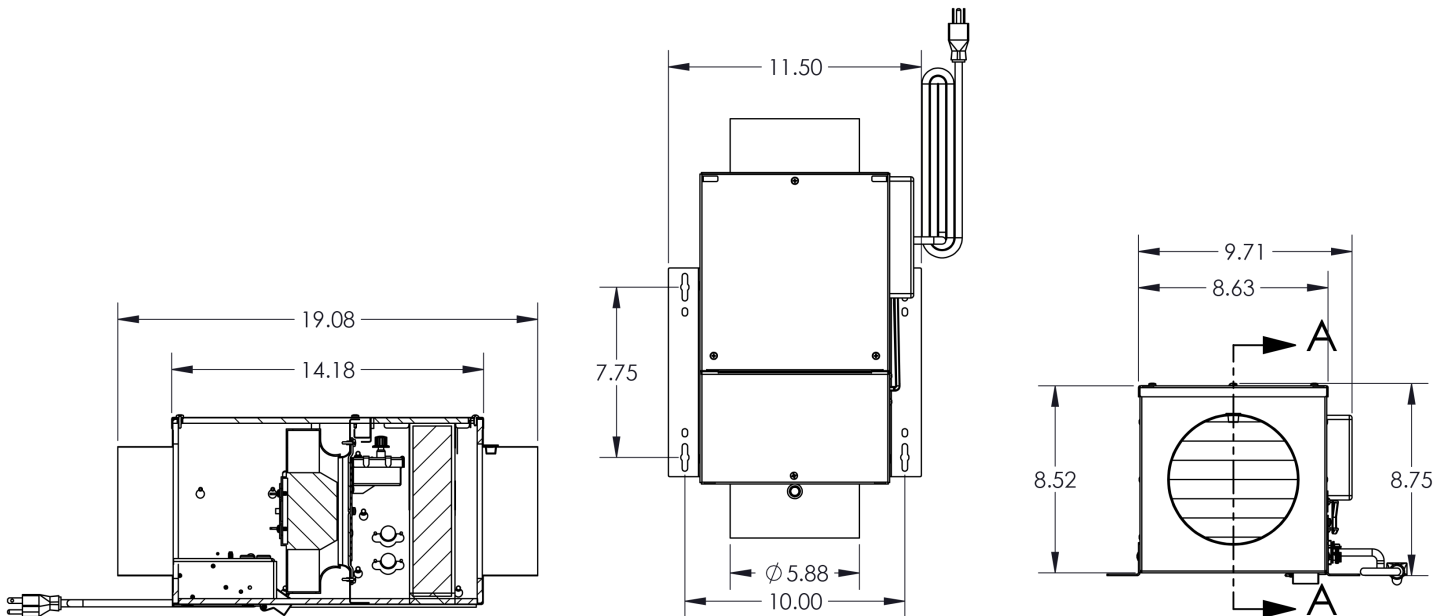
### HVI Certified Performance

Model	Speed Setting	Speed (RPM)	CFM @ Static Pressure (inches w.g.)								Amps @ .2" SP	Watts @ .2" SP	Efficacy (CFM/Watts) @ .2" SP
			0	.1	.15	.2	.25	.3	.4	.5			
RF8-120AC	LS	1480	79	57	48	40	34	29	21	-	0.48	37.3	1.2
	MS	2040	126	107	99	90	83	75	63	53	0.57	55.9	1.6
	HS	2500	167	154	147	140	133	126	113	100	0.63	74.1	1.9
RF8-120AC (With MERV 13 Filter)	LS	1510	52	39	34	30	26	22	16	-	0.48	37.4	1.0
	MS	2090	92	81	76	70	64	59	51	45	0.58	56.3	1.4
	HS	2530	129	119	115	110	106	101	92	81	0.63	73.3	1.6

Speed is Nominal.

Performances at .2" of w.g. are HVI certified.

### Dimensions (in)

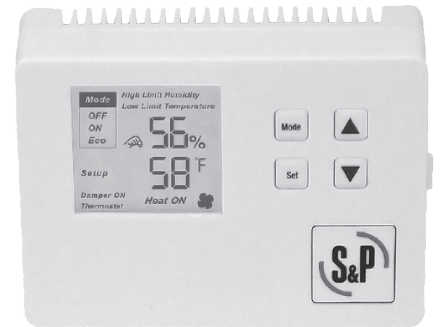




# ES24V - Envirosense Ventilation Control Submittal

## ES24V

The ES24V control can be used with our RF-reFresh, TD-MIXVENT, TD-SILENT, PV-POWERVENT, or TR-ERVs. When paired with S&P fans the ES24V provides fully controllable fresh air into a residence. With three modes (Off, On, and Eco-Mode) the ES24V ensures compliance with today's outside air codes.

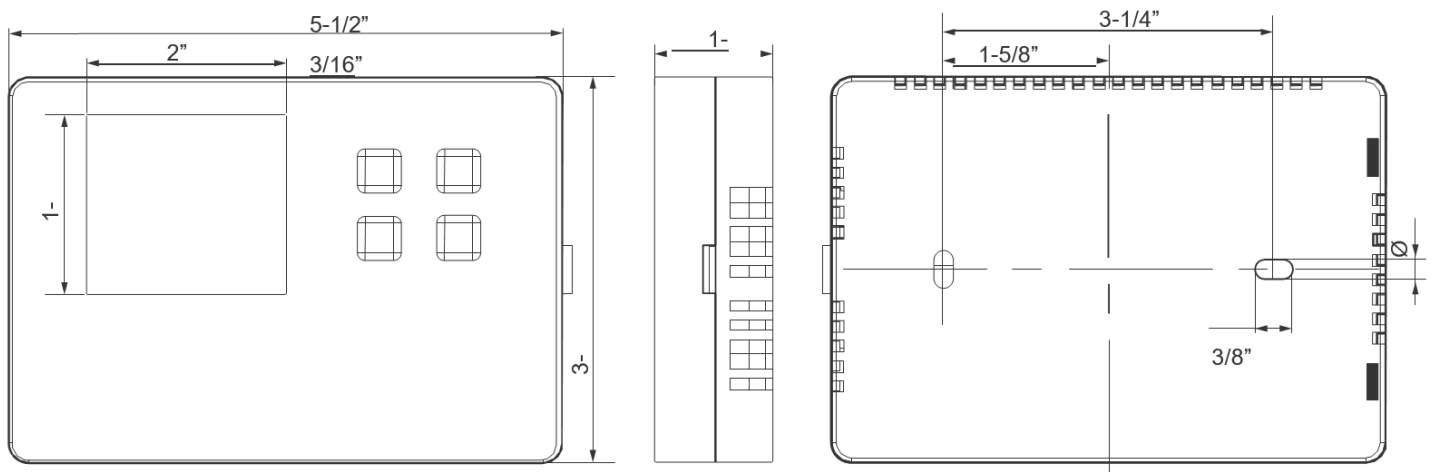


- “Off” allows for manual override as required by the code
- “On” allows for continuous operation
- “Eco-Mode” allows homeowner to set humidity and/or temperature minimum and maximums.
- When readings exceed the programmed min/max parameters the control reverts to a minimum operation sequence to satisfy code requirements. When the outside air is within the min and max range the fan will operate at the set time limit or continuously to meet the code requirements, i.e. 25 minutes every hour.

## Features

- Easy to read, back-lit LCD screen
- 24 VAC control
- Intuitive four-button user interface
- Easily programmable to operate the supply fan continuously or intermittently using on and Eco-Modes respectively
- Measures outdoor humidity and temperature and minimizes ventilation at adjustable high and low outdoor temperature and humidity lockouts
- Optional interlocking with central A/C blower motor
- Control programming maintains ASHRAE 62.2-2010 even during high and low temperature and humidity limit lockouts
- Installation flexibility – ability to override humidity and temperature control
- Auxiliary terminals for optional supply fan, duct heater and motorized damper connections

## Dimensions





# ReFresh RF8-120EC Submittal

## RF8-120EC



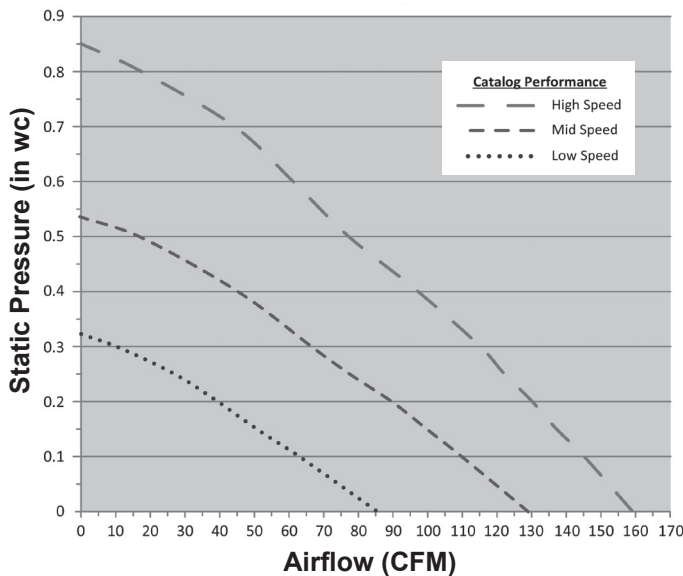
### Specifications

- Low profile, galvanized, 26 ga., insulated housing
- 6" round duct connectors
- Test port for easy air flow measurement
- 2" wide filter slot for optional 8 x 8 x 2" filters
- Integral mounting tabs allow mounting in any orientation
- Backward inclined wheel
- Speed controllable, EC motor, 120V, 60 Hz
- 4 pole, permanently lubricated, thermally protected motor
- Internally mounted rotary speed control to set required intake with high, medium and low set points
- 6' power cord
- Inlet guard for motor protection
- ENERGY STAR® qualified
- HVI Certified performance with and without optional MERV13 Filters
- cULus 507 Listed

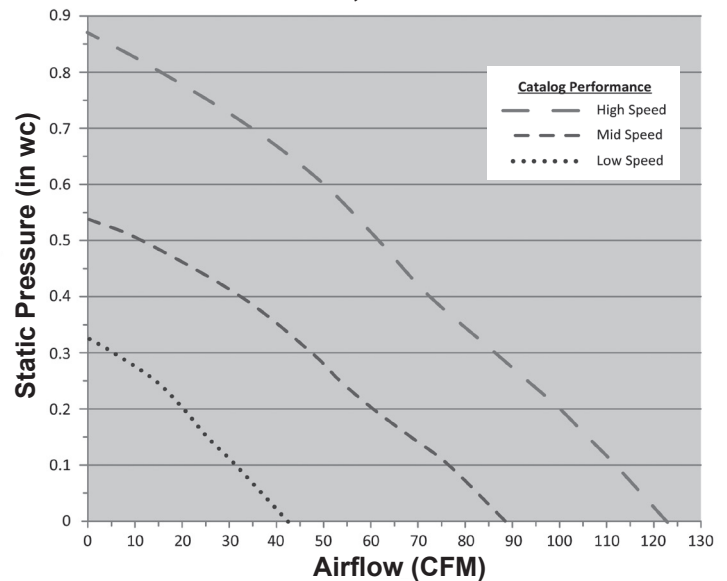
### Options and Accessories

- 8 x 8 x 2" MERV8 or MERV13 filters
- ES24V – EnviroSense Ventilation Control (loose)
- Steel backdraft dampers
- Motorized backdraft damper
- Duct heater

**RF8-120EC, No Filter**



**RF8-120EC, MERV 13 Filter**





# ReFresh RF8-120EC

## Submittal

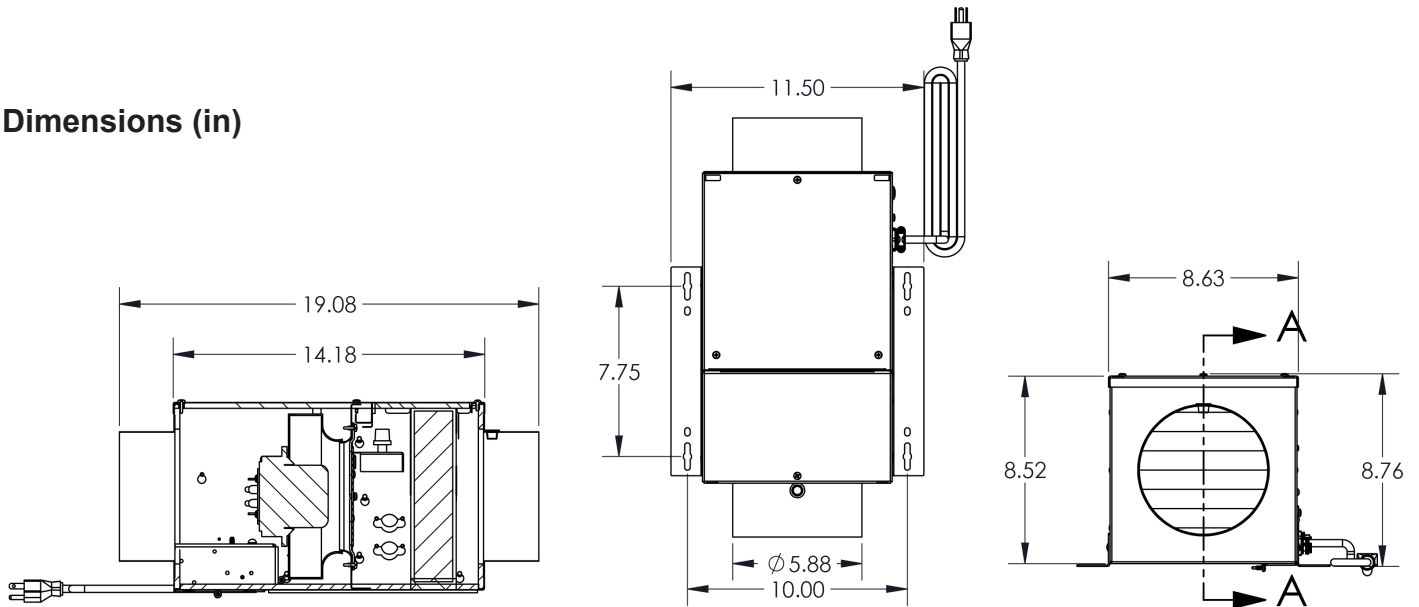
### HVI Certified Performance

Model	Speed Setting	Speed (RPM)	CFM @ Static Pressure (inches w.g.)								Amps @ .2" SP	Watts @ .2" SP	Efficacy (CFM/Watts) @ .2" SP
			0	.1	.15	.2	.25	.3	.4	.5			
RF8-120EC	LS	1300	85	63	51	40	28	-	-	-	0.13	7.2	6.6
	MS	1670	129	110	100	90	78	67	46	-	0.25	14.4	6.3
	HS	2100	159	145	137	130	122	115	97	77	0.45	27.6	4.9
RF8-120EC (With <i>MERV 13</i> Filter)	LS	1300	42	31	25	20	14	-	-	-	0.12	6.9	5.3
	MS	1670	88	76	68	60	53	47	32	-	0.23	13.9	5.0
	HS	2100	123	112	106	100	93	86	72	61	0.44	26.7	4.0

Speed is Nominal.

Performances at .2" of w.g. are HVI certified.

### Dimensions (in)





# ReFresh RF8-120EC-ES24V

## Submittal



### RF8-120EC-ES24V



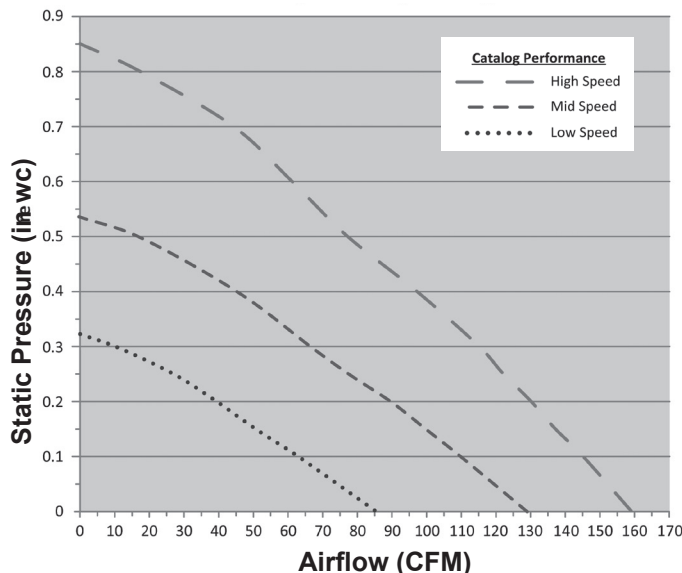
### Specifications

- ES24V – Envirosense Ventilation Control mounted to outside of unit
- Low profile, galvanized, 26 ga., insulated housing
- 6” round duct connectors
- Test port for easy air flow measurement
- 2” wide filter slot for optional 8 x 8 x 2” filters
- Integral mounting tabs allow mounting in any orientation
- Backward inclined wheel
- Speed controllable, EC motor, 120V, 60 Hz
- 4 pole, permanently lubricated, thermally protected motor
- Internally mounted rotary speed control to set required intake with high, medium and low set points
- 6’ power cord
- Inlet guard for motor protection
- ENERGY STAR® qualified
- cULus 507 Listed

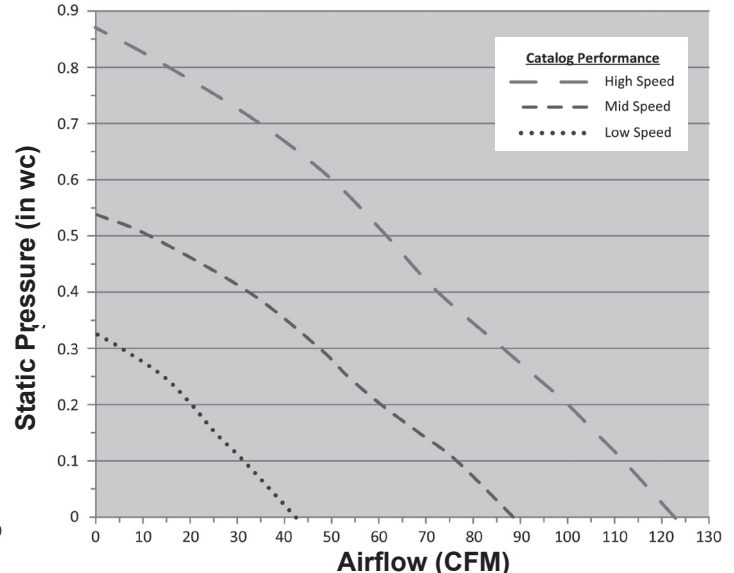
### Options and Accessories

- 8 x 8 x 2” MERV8 or MERV13 filters
- Steel backdraft dampers
- Motorized backdraft damper
- Duct heater

#### RF8-120EC, No Filter



#### RF8-120EC, MERV 13 Filter







# ReFresh RF8-120EC-ES24V

## Submittal

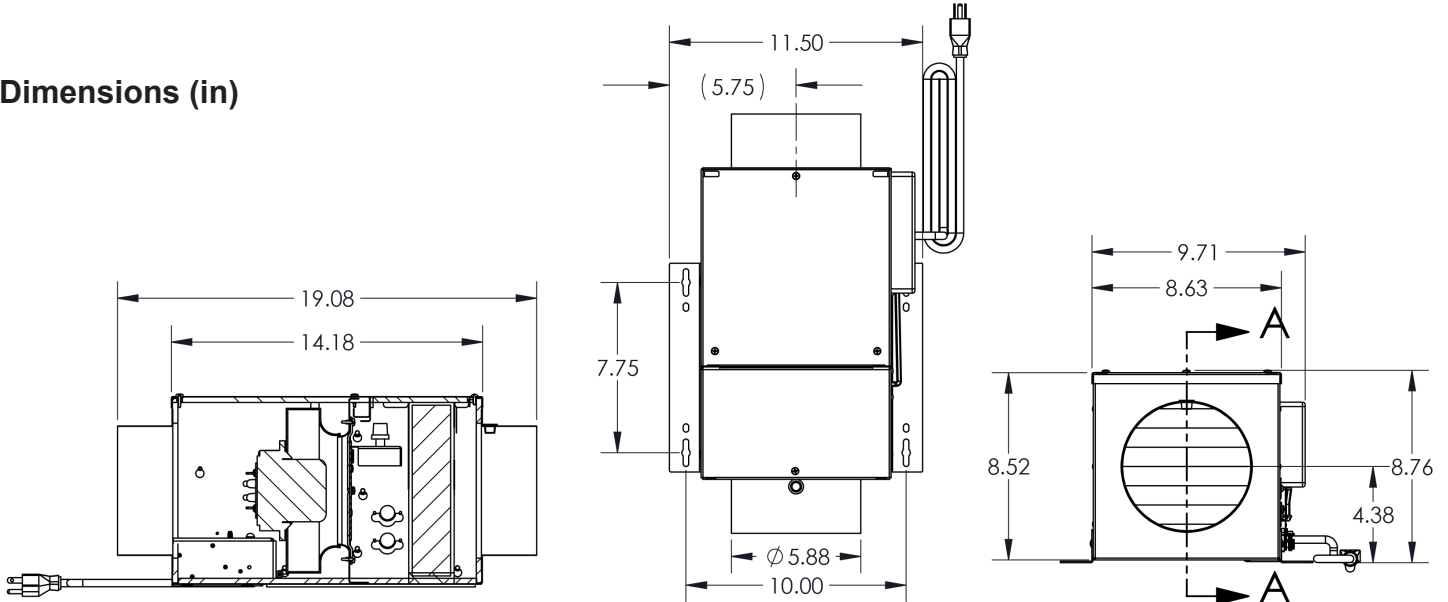
### HVI Certified Performance

Model	Speed Setting	Speed (RPM)	CFM @ Static Pressure (inches w.g.)								Amps @ .2" SP	Watts @ .2" SP	Efficacy (CFM/Watts) @ .2" SP
			0	.1	.15	.2	.25	.3	.4	.5			
RF8-120EC	LS	1300	85	63	51	40	28	-	-	-	0.13	7.2	6.6
	MS	1670	129	110	100	90	78	67	46	-	0.25	14.4	6.3
	HS	2100	159	145	137	130	122	115	97	77	0.45	27.6	4.9
RF8-120EC (With MERV 13 Filter)	LS	1300	42	31	25	20	14	-	-	-	0.12	6.9	5.3
	MS	1670	88	76	68	60	53	47	32	-	0.23	13.9	5.0
	HS	2100	123	112	106	100	93	86	72	61	0.44	26.7	4.0

Speed is Nominal.

Performances at .2" of w.g. are HVI certified.

### Dimensions (in)



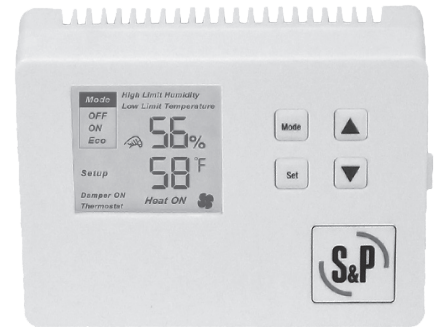


# ES24V - Envirosense Ventilation Control

## Submittal

### ES24V

The ES24V control can be used with our RF-reFresh, TD-MIXVENT, TD-SILENT, PV-POWERVENT, or TR-ERVs. When paired with S&P fans the ES24V provides fully controllable fresh air into a residence. With three modes (Off, On, and Eco-Mode) the ES24V ensures compliance with today's outside air codes.



- “Off” allows for manual override as required by the code
- “On” allows for continuous operation
- “Eco-Mode” allows homeowner to set humidity and/or temperature minimum and maximums.
- When readings exceed the programmed min/max parameters the control reverts to a minimum operation sequence to satisfy code requirements. When the outside air is within the min and max range the fan will operate at the set time limit or continuously to meet the code requirements, i.e. 25 minutes every hour.

### Features

- Easy to read, back-lit LCD screen
- 24 VAC control
- Intuitive four-button user interface
- Easily programmable to operate the supply fan continuously or intermittently using on and Eco-Modes respectively
- Measures outdoor humidity and temperature and minimizes ventilation at adjustable high and low outdoor temperature and humidity lockouts
- Optional interlocking with central A/C blower motor
- Control programming maintains ASHRAE 62.2-2010 even during high and low temperature and humidity limit lockouts
- Installation flexibility – ability to override humidity and temperature control
- Auxiliary terminals for optional supply fan, duct heater and motorized damper connections

### Dimensions

