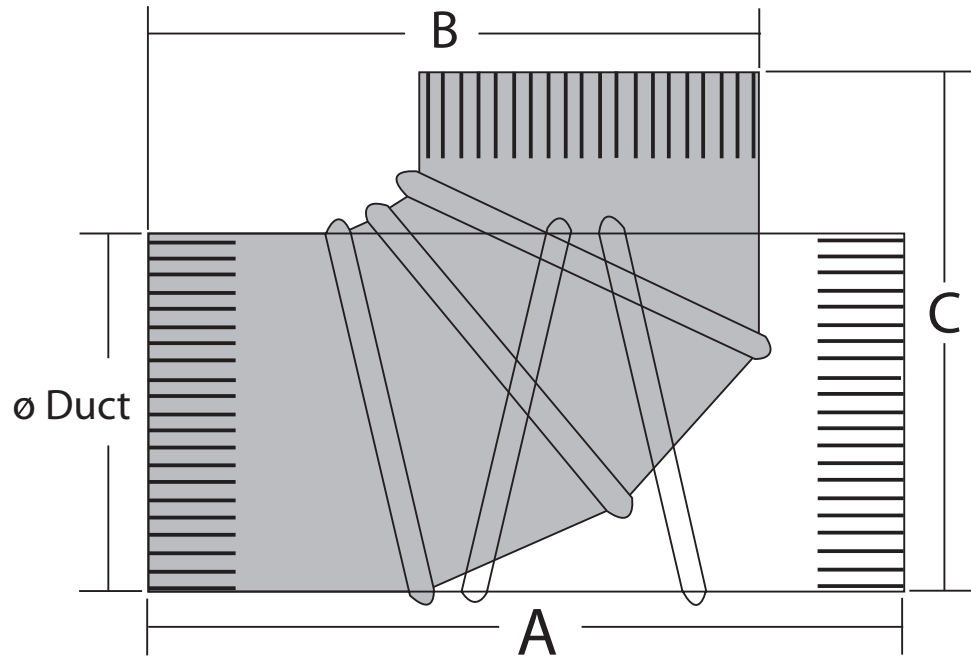




P: 800.961.7370  
www.solerpalau-usa.com

# ME - Sheet Metal Round Adjustable Elbow

Adjustable from 0° - 90°



## Dimensions inches/mm

Model	ø Duct	A	B	C
ME-4	4	8-1/2	7	7
	102	216	178	178
ME-6	6	10-5/8	9-1/4	9-1/4
	152	270	235	235

ACCESSORY MODEL	1	2	3	4	5	REMARKS

Project: _____	Submitted: _____
Customer: _____	Approved: _____
Location: _____	

For more information contact us at [www.solerpalau-usa.com](http://www.solerpalau-usa.com) or 1.800.961.7370 for additional submittal drawings.

Soler & Palau will not be responsible for fabrication changes or errors resulting from customer use of a non-current submittal drawing.

