

SMC SERIES OCCUPANCY SENSOR

Supplemental Installation Manual for Accessories

SMC-C (Ceiling Mount)

SMC-W (Wall Mount)



SMC-C Ceiling Mount



SMC-W Wall Mount

1.0 OVERVIEW 3

1.1 SPECIFICATIONS.....3

2.0 INSTALLATION 4

2.1 SMC-C CEILING MOUNT4

2.2 SMC-W WALL MOUNT.....4

3.0 SETTINGS 5

3.1 ADJUSTMENT KNOBS5

3.2 DIP SWITCHES6

4.0 ELECTRICAL 7

4.1 WIRING SCHEMATICS.....7

TABLE OF ILLUSTRATIONS

Figure 2.1.0 SMC-C Ceiling Mount Installation 4

Figure 2.2.0 SMC-W Wall Mount Installation..... 4

Figure 3.1.0 Knob Adjustment Table 5

Figure 3.1.1 Infrared Range Adjustment..... 5

Figure 3.1.2 Delayed—Off Time Adjustment..... 5

Figure 3.2.0 Dip Switch Setting Table 6

Figure 3.2.1 SMC-C Dip Switches 6

Figure 3.2.2 SMC-W Dip Switches 6

Figure 4.1.0 TR90, TR90G, TR130, TR200, and TR300 Schematic 7

Figure 4.1.1 TRe and TRLPe110 Schematic 7

Figure 4.1.2 TRC1200—Standard Wiring (Non-ECM) Schematic 8

Figure 4.1.3 TRC1600—with Standard Wiring Schematic 8

Figure 4.1.4 TRCe1200—ECM with Terminal Block (speed 1-low speed on/off) Schematic 8

Figure 4.1.5 TRCeN500, TRCeN800, AND TRCe1200—ECM with Circuit Board (speed 1-low speed on/off) Schematic 9

1.0 OVERVIEW

1.1 SPECIFICATIONS

- Passive infrared sensor
- Adjustable time-off delay to 30 minutes
- 24VAC power requirement
- Ceiling mount or directable wall mount
- Coverage floor space
 - Ceiling mount: 1500 sq. ft.
 - Wall mount: 2500 sq. ft.
- Major motion area
 - Ceiling mount: 50 ft. diameter
 - Wall mount: 68 x 50 ft.

Model	Volts	Current	Isolated Relay	Coverage Area	Suggested Mounting Height
SMC-C	15-28VAC	30 mA	1 A @ 30 VAC/DC	1500 sq. ft.	8-10 ft.
SMC-W	15-28VAC	30 mA	1 A @ 30 VAC/DC	2500 sq. ft.	8-10 ft.

2.0 INSTALLATION

2.1 SMC-C CEILING MOUNT

See the Leviton installation instructions provided in the original box for in-details or for more options.

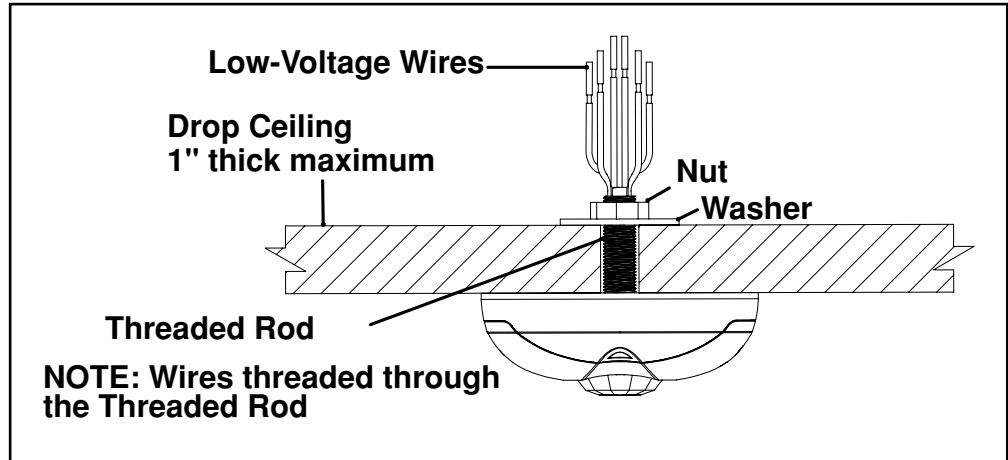


FIGURE 2.1.0 SMC-C CEILING MOUNT INSTALLATION

2.2 SMC-W WALL MOUNT

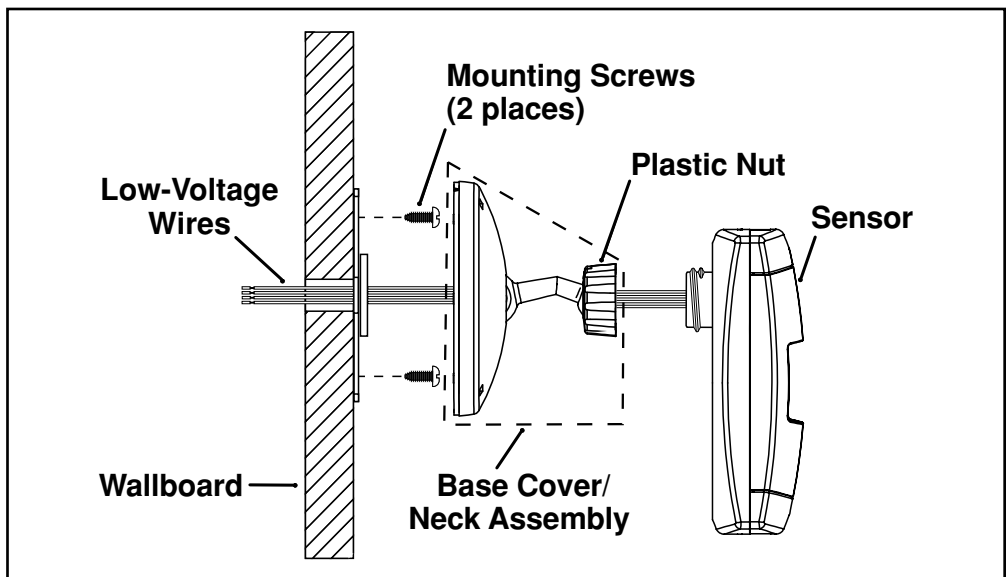


FIGURE 2.2.0 SMC-W WALL MOUNT INSTALLATION

3.0 SETTINGS

3.1 ADJUSTMENT KNOBS





KNOB COLOR	SYMBOL	FUNCTION	KNOB SETTING	FACTORY DEFAULT SETTING
Red		Sets the infrared range	Range Setting Full CCW = min. (OFF) Full CW = max.	75% 
Black		Delayed-Off Time	Full CCW = min. (30 sec.) Full CW = max. (30 min.)	50% (10 min.) 

FIGURE 3.1.0 KNOB ADJUSTMENT TABLE

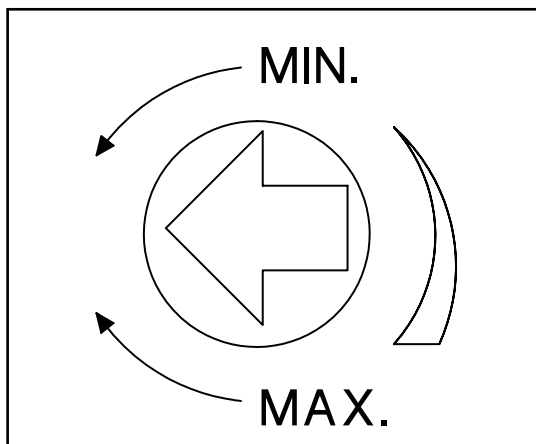


FIGURE 3.1.1 INFRARED RANGE ADJUSTMENT

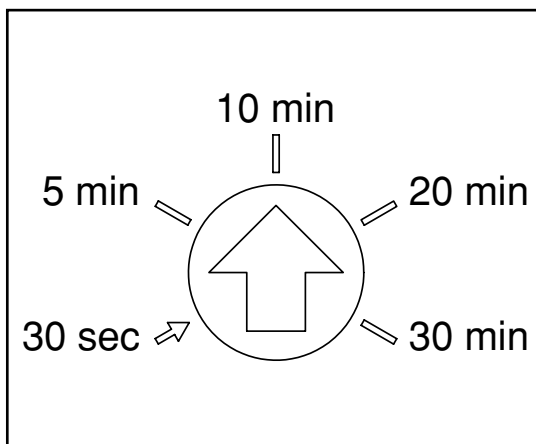


FIGURE 3.1.2 DELAYED—OFF TIME ADJUSTMENT

3.2 DIP SWITCHES

Switch	Switch Functions	Switch Settings	
	Bank A	OFF	ON
A1	N/A	N/A	N/A
A2	N/A	N/A	N/A
A3	Manual Mode	Auto Adapting Enabled	Auto Adapting Disabled
A4	Walk-Through Disabled	Walk-Through Enabled	Walk-Through Disabled
	Bank B	OFF	ON
B1	Override to ON	Auto Mode	Lights Forced ON
B2	Override to OFF	Auto Mode	Lights Forced OFF
B3	Test Mode	OFF \leftrightarrow ON \leftrightarrow OFF = Enter/Exit Test Mode	
B4	LEDs Disabled	LEDs Enabled	LEDs Disabled

FIGURE 3.2.0 DIP SWITCH SETTING TABLE

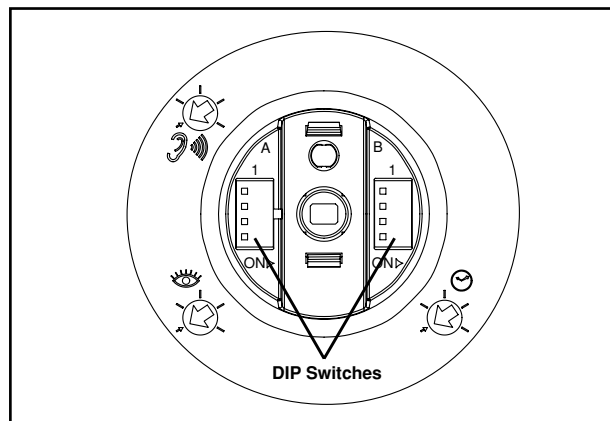


FIGURE 3.2.1 SMC-C DIP SWITCHES

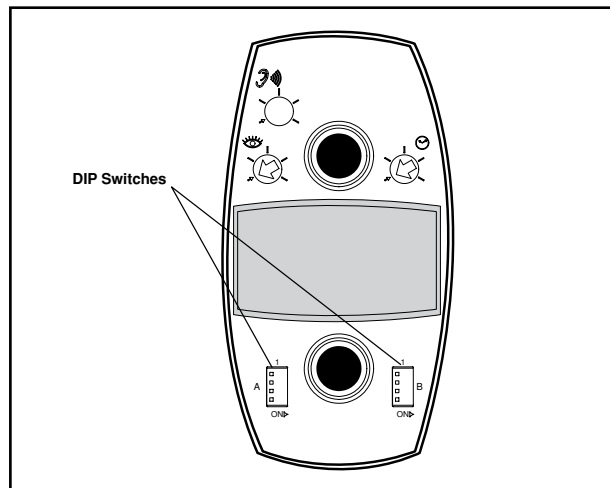


FIGURE 3.2.2 SMC-W DIP SWITCHES

4.0 ELECTRICAL

4.1 WIRING SCHEMATICS

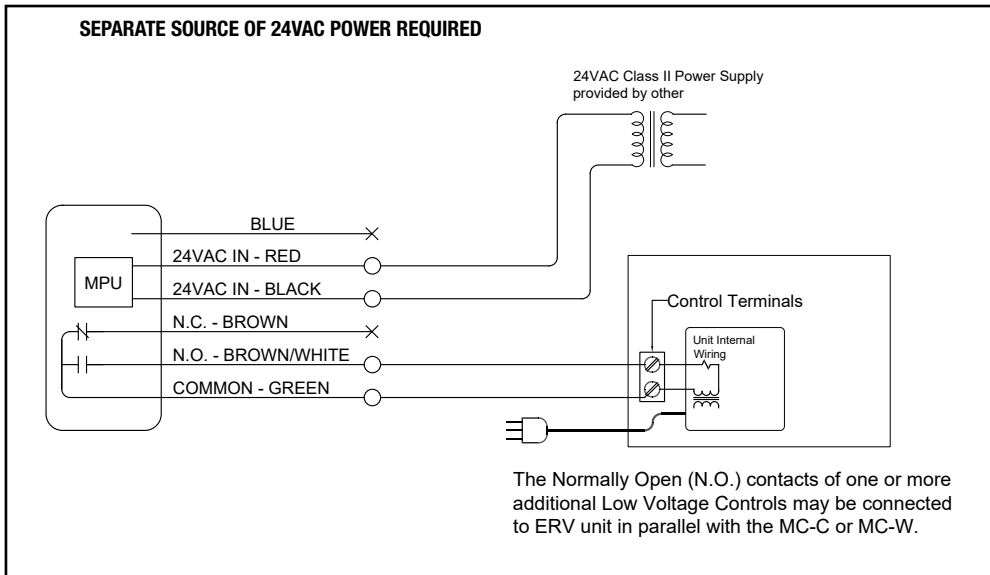


FIGURE 4.1.0 TR90, TR90G, TR130, TR200, AND TR300 SCHEMATIC

In this example, Motion Control Occupancy Sensor turns Energy Recovery Ventilator (ERV) on at High speed when space is occupied.

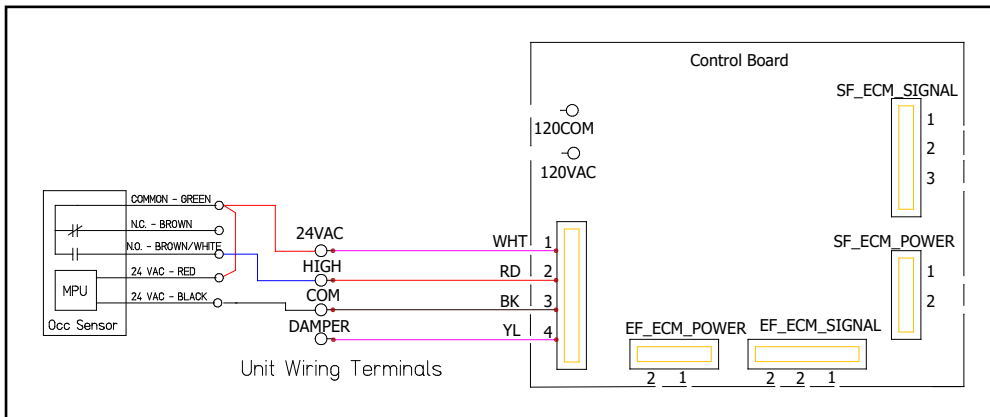


FIGURE 4.1.1 TrE AND TRLPe110 SCHEMATIC

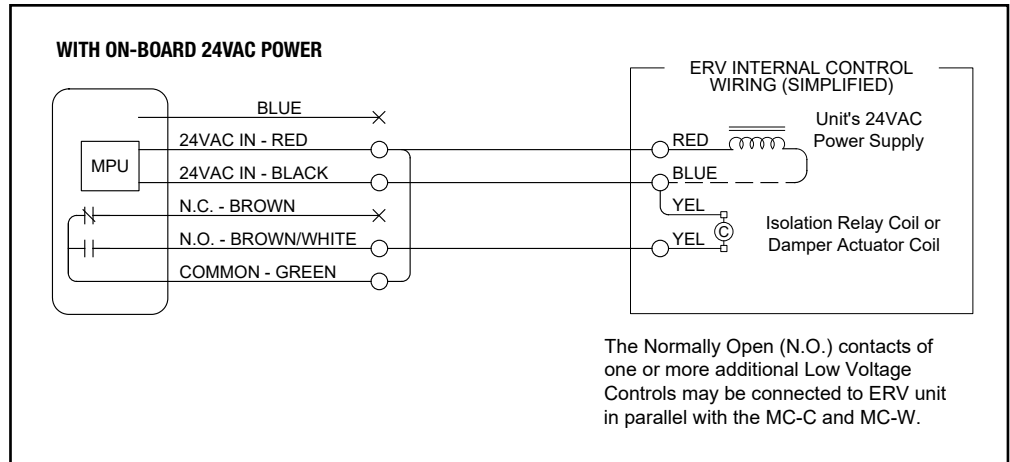


FIGURE 4.1.2 TRC1200—STANDARD WIRING (NON-ECM) SCHEMATIC

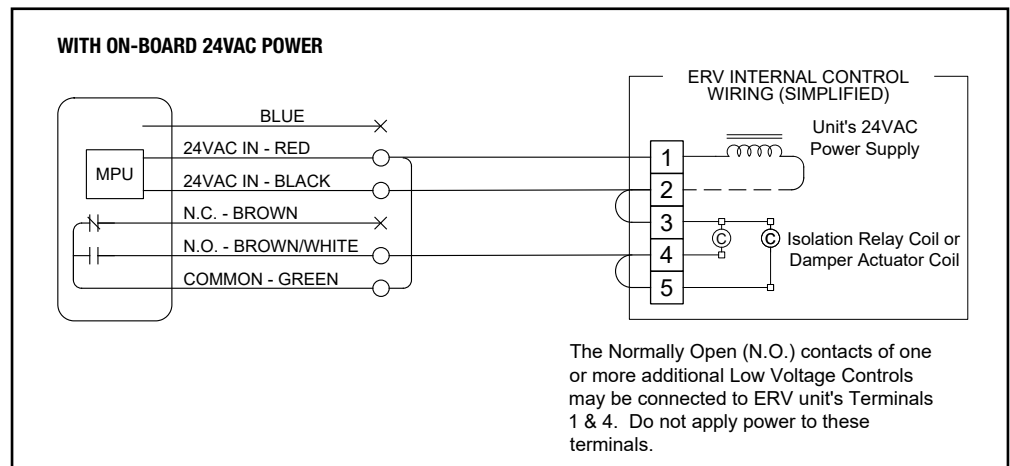


FIGURE 4.1.3 TRC1600—WITH STANDARD WIRING SCHEMATIC

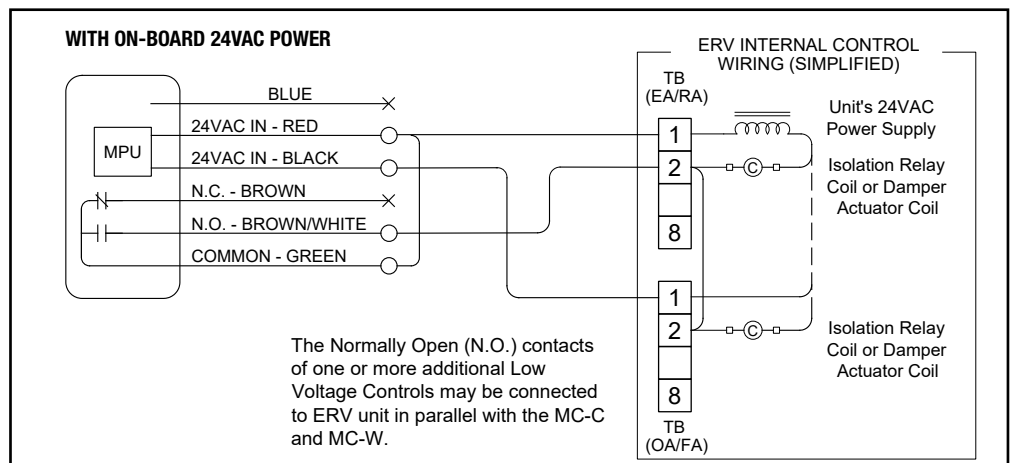


FIGURE 4.1.4 TRCe1200—ECM WITH TERMINAL BLOCK (SPEED 1-LOW SPEED ON/OFF) SCHEMATIC

In this example, Motion Control Occupancy Sensor turns the ERV on at speed set by potentiometers when space is occupied.

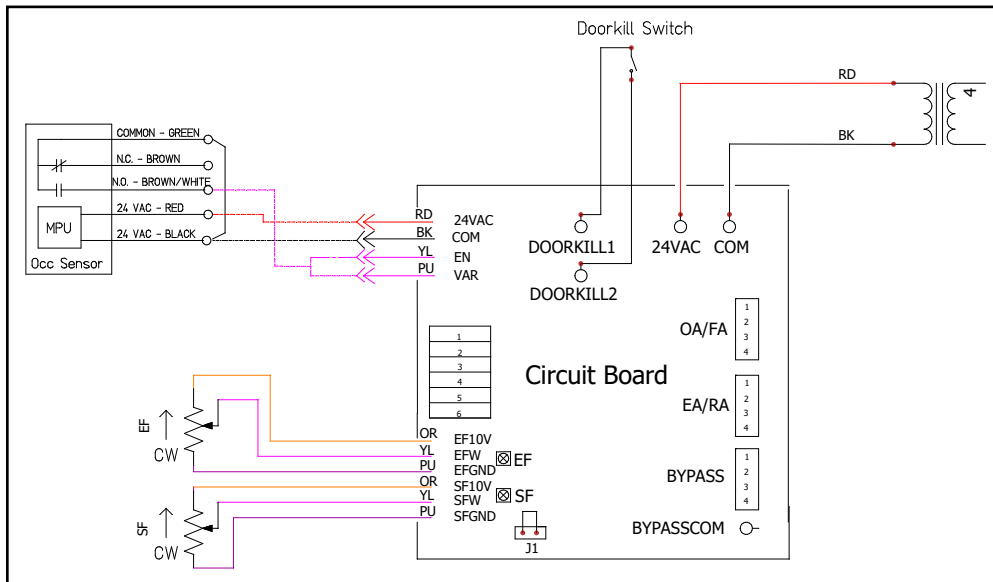


FIGURE 4.1.5 TRCeN500, TRCeN800, AND TRCe1200—ECM WITH CIRCUIT BOARD (SPEED 1-LOW SPEED ON/OFF) SCHEMATIC

NOTES:

NOTES:

S&P USA
(800) 961-7370
FAX: (800) 961-7379
6393 POWERS AVE.
JACKSONVILLE, FLORIDA
32217 USA
WWW.SOLERPALAU-USA.COM

S&P CANADA
(416) 744-1217
FAX: (416) 744-0887
6710 MARITZ DRIVE, UNIT 7
MISSISSAUGA, ON L5W 0A1, CANADA
WWW.SOLERPALAU-CANADA.COM