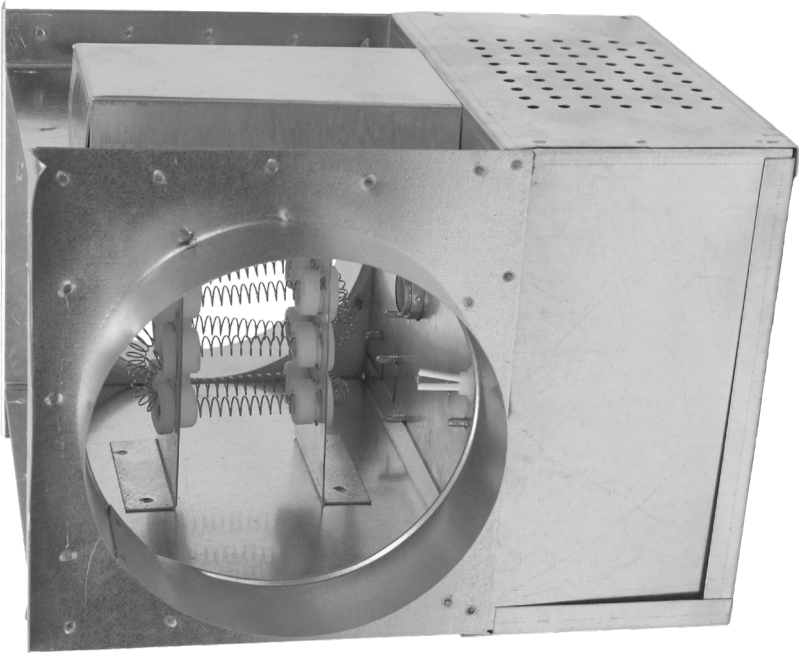




DH6-120V

Installation Instructions for Installation with S&P Inline Duct Fans and ERVs



READ AND SAVE THESE INSTRUCTIONS

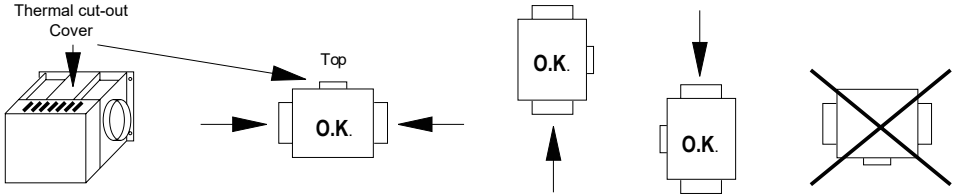
The purpose of this manual is to aid in the proper installation and operation of fans manufactured by S&P USA. These instructions are intended to supplement good general practices and are not intended to cover detailed instruction procedures, because of the wide variety and types of fans manufactured by S&P USA.



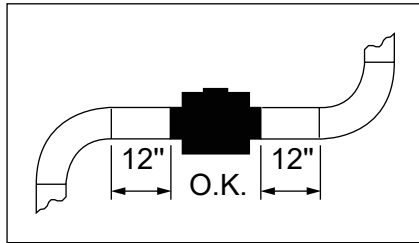
Please read the instructions carefully before starting.

Mechanical Installation

1. The air direction may be either vertical or horizontal, but when the unit is installed horizontally, the cut-out cover **must** be on top.



2. Do not install elbows closer than 12 inches to either the inlet or outlet of the unit.

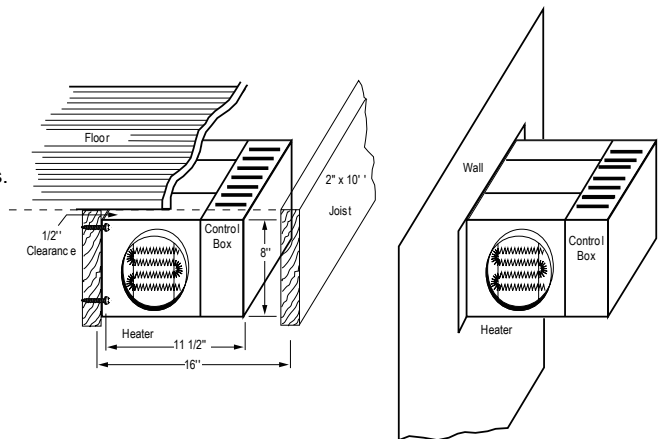


3. The electronic controller shuts down the heater when there is no air flow.

The minimum amount of air required (in cubic feet per minute) to operate the unit is given in the CFM column of the table (30 CFM per kilowatt). If CFM is lower than specified, the airflow sensor will limit the total capacity according to the airflow available.

4. Attach the unit to a suitable support. The 6" model is small enough to be located between standard 16" spaced floor joists.

Always allow a minimum 1/2" clearance above the heater.



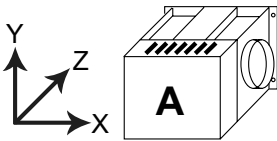


5. Electrical Installation

Please conform to all local and national electrical codes for wiring. The heater should be supplied by a separate cable, of appropriate gauge and with appropriate protection. Use wires suited for 75°C. Please refer to the following table below.

Inline Duct Heaters								
Recommended wire gauge and protection								
Models	Size	Collar Dia.	KW	Volts	Amps.	Wire Gauge	Fuses	Min. Air Flow (CFM)
Fresh Air DH6-120V	A	6	1	120/1	8.3	12	15	30

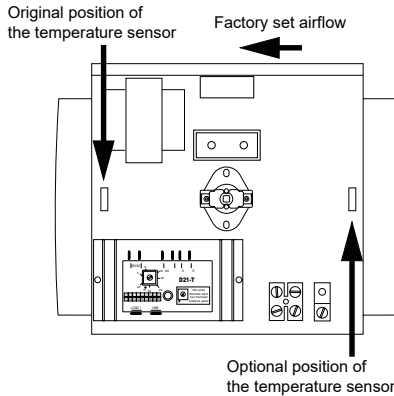
To convert Cubic Feet per Minute to liters per second, multiply the CFM value by 0.47



DIMENSIONS IN INCHES			
SIZE	X	Y	Z
A	11.5	8.0	11.5

When the unit is installed and connected, set the potentiometer on the controller to the desired temperature.

Please check the air direction carefully. The temperature sensor must be located on the air outlet side. The sensor is factory installed on the left side, so the air moves from the right to the left. It has to be moved to the right if the air outlet is on the right side. A pre-punched rectangular hole is provided on the right side to accommodate this change.



Remember: In case of trouble or for technical assistance, please use our free Help Line:

USA: 1-800-961-7370
Canada: 1-866-733-0233



S&P USA Ventilation Systems, LLC

6393 Powers Avenue
Jacksonville, FL 32217
T. 904-731-4711 • F. 904-737-8322
www.solerpalau-usa.com

S&P Canada Ventilation Products, Inc.

6710 Maritz Drive Unit #7
Mississauga, ON L5W 0A1 - Canada
T. 416-744-1217 • F. 416-744-0887
www.solerpalaucanada.com