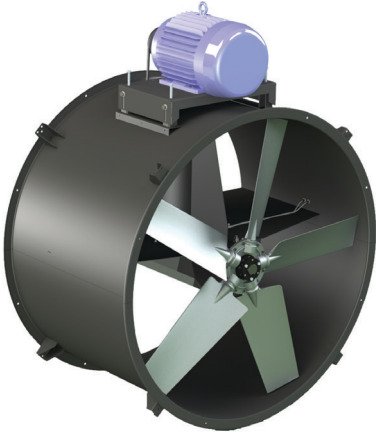




# MODEL TDB

## TUBEAXIAL INLINE BELT DRIVEN DUCT FAN



### MODEL FEATURES

- Rated up to 75,490 CFM in static pressure applications up to 1-1/2" w.g.
- 12 sizes ranging from 12 to 60" propeller diameters
- Motor and drives are located outside of the airstream
- Belt drives permit easy performance adjustments when needed
- Continuously welded and epoxy painted steel housing
- For indoor use only
- AMCA Air & Sound Certified
- cULus Listed

### MODEL OVERVIEW

S&P's tubeaxial line offers the widest range of sizes, horsepower, and performance in the industry. TDB's are high capacity belt drive tubeaxial fans rated from 900 to 75,490 CFM, with static pressure capability up to 1-1/2". They are used to exhaust air from or supply air to commercial and industrial applications, such as general building ventilation, enclosed garages, paint spray booths, heat and smoke ventilation systems and other applications where the air is moved through a duct system against moderate static pressure.

Belt drive TDB's are especially suited to handle fumes, vapors, steam, dust, smoke and contaminated or heated air to 200°F. They are available in larger, higher capacity sizes and offer ease in adjustment of fan performance by reducing the fan RPM with adjustable motor sheaves (Optional on 7-1/2" HP and larger).

Total access to the bearings and shaft is possible with the TDB's unique removable cover.

### STANDARD CONSTRUCTION FEATURES

**Drives**  
Sized for a minimum 150% of motor horsepower. Drives are variable pitch as standard through 5HP.

**Mounting Supports**  
Eight (8) mounting supports are welded to each fan to allow for universal mounting.

**Housing**  
Heavy-gauge rolled steel with continuous welded seam and epoxy coating for maximum strength.

**Factory Run & Tested**  
For quality assurance and dependable operation.

**AMCA Seal**  
Assures certified rating of air and sound performance.

**cULus 705 Listed**  
For electrical reliability.

**Motor**  
National brands with local service. Standard motors are heavy-duty open drip-proof. Other options available.

**Motor Base**  
Adjustable steel motor base is designed for strength and ease of belt tensioning.

**Integral Inlet and Outlet Flanges**  
With mounting holes.

**Extended Lubrication Lines**  
Extend from bearings to the outside of the unit.

**Bearings**  
Heavy-duty, ball bearing cast pillow blocks are designed for minimum 200,000 hours of operation, L50.

**Propeller**  
Aluminum propellers are selected for maximum airflow and low sound.

**2 year fan housing warranty, 1 year motor warranty**

All specifications are subject to change without notice unless approved in submittal by S&P USA.

GC\_TDB\_0618

June 2018

## **CONSTRUCTION/SPECIFICATION CHECKLIST**

### **Fan Housing**

- Heavy-gauge rolled steel construction.
- Integral inlet and outlet flanges with mounting holes.
- Continuous welded and epoxy coated.
- Belt and bearing tube.
- Removable bearing cover for ease of maintenance.
- Eight mounting supports welded to each fan.
- Adjustable motor base for belt tensioning.
- Extended lube lines.

### **Propeller**

- Aluminum airfoil propeller.
- Blades are pitched for optimum efficiency.
- Statically balanced

### **Drives**

- Sized for minimum 150% of drive horsepower.
- Single belt adjustable pitch sheaves through 5HP.
- Multiple belt fixed pitch sheaves 7-1/2HP and above.
- Adjustable tension rods for belt adjustment.
- Nonstatic oil resistant v-belts.
- Keyed, turned, ground and polished shafts.

### **Bearings**

- Bearings are designed for minimum 200,000 hour life, L50.
- Cast iron self-aligning pillow block ball bearings.
- Bearings are sealed and prelubricated.

### **Motors**

- One year motor warranty.
- Brands are nationally recognized and locally serviced.
- NEMA base-mounted motors are standard.
- Open drip-proof construction is standard.
- Premium-efficiency, explosion proof, totally enclosed fan cooled (TEFC) and corrosion duty motors can be specified.

### **Certifications**

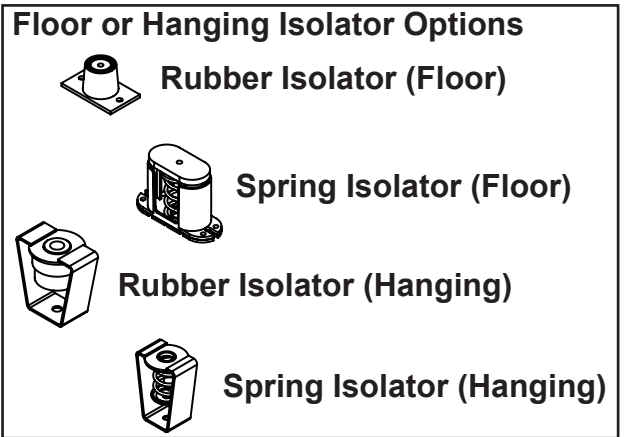
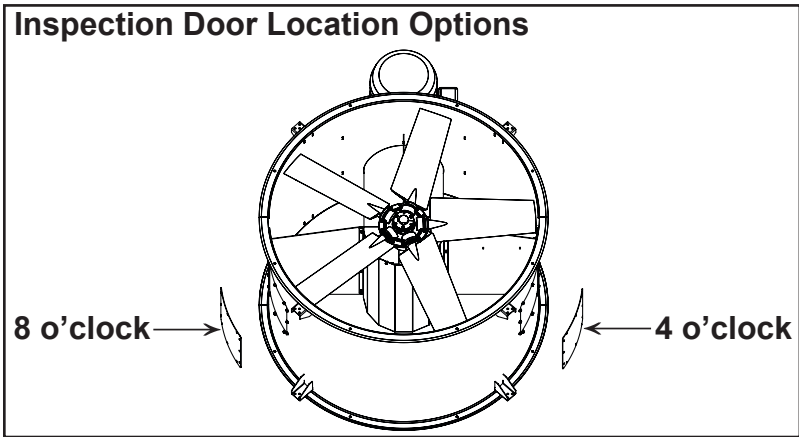
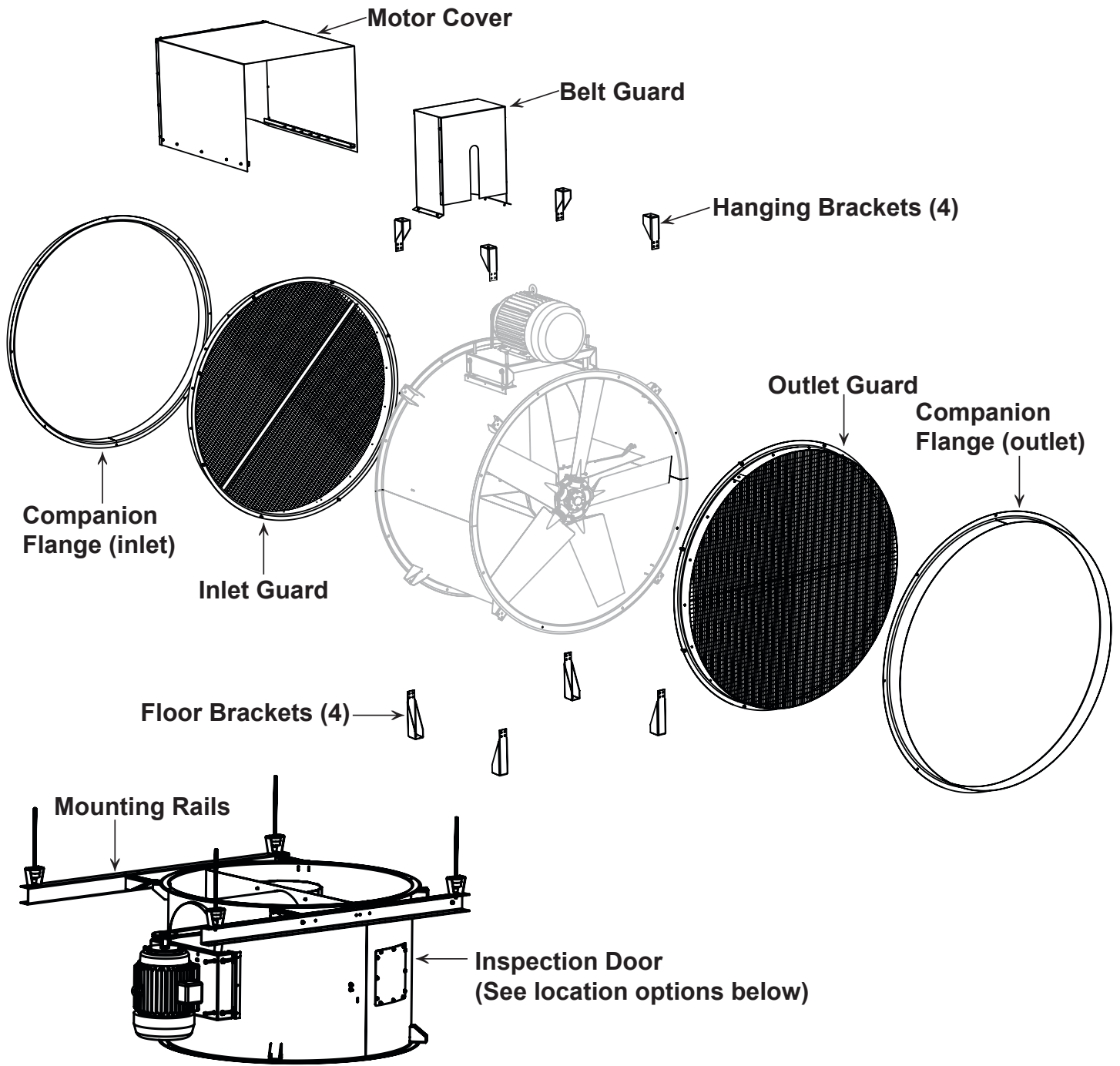
- AMCA Air and Sound Certified
- cULus 705 Listed

### **Entire Fan Unit**

- Factory assembled and tested prior to shipment for quality assurance.



**OPTIONS/ACCESSORIES**





## OPTIONS/ACCESSORIES

**Hanging & Floor Brackets:** For base or ceiling mounting. Neoprene and spring isolators are available.

**Mounting Rails:** Designed for vertical and horizontal mounting. Rail kits include mounting brackets. Vertical mounting available by special quote on sizes 34-48”.

**Inlet/Outlet Guard:** Prevents objects from entering the fan inlet or outlet. Includes companion flange.

**Inspection Door:** For inspection and blade service/cleaning. Bolted. Not available on sizes 12 and 16.

**Companion Flanges:** Inlet and/or outlet flanges are available for duct connection.

**Belt Guard:** Encloses belt and motor sheave on exterior of fan.

**Motor Cover:** Three sided guard that covers motor, sheave and belt. Motor may extend past cover on sizes 12, 16, and 18.

**Adjustable Sheave:** Can be specified for 7-1/2HP and larger units (standard through 5HP).

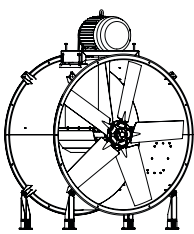
**Shaft Seal:** Protects bearings and belts when fan is handling dirty or contaminated air.

**Disconnect Switch:** Nonfused safety disconnect available for all motor sizes and enclosures. Specify prewired if desired. (Wiring not available on explosion proof and two speed motors).

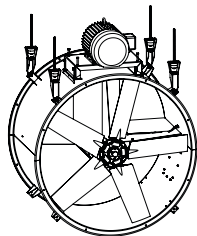
**Special Coatings (*Epoxy Coating is Standard*):** For protective and decorative purposes. Available coatings include: Synthetic Resin and Heresite (air-dried phenolic). Contact your representative or the factory for more information on available coatings and colors.

## MOUNTING CONFIGURATIONS

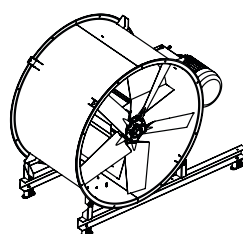
**Floor Mount**



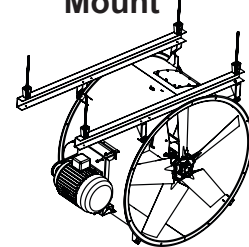
**Hanging Mount**



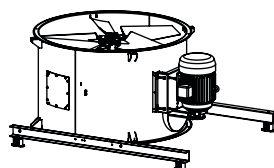
**Rail Floor Mount**



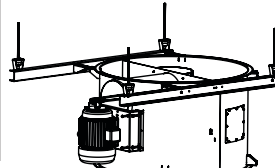
**Rail Hanging Mount**



**Vertical Rail Floor Mount**



**Vertical Rail Hanging Mount**



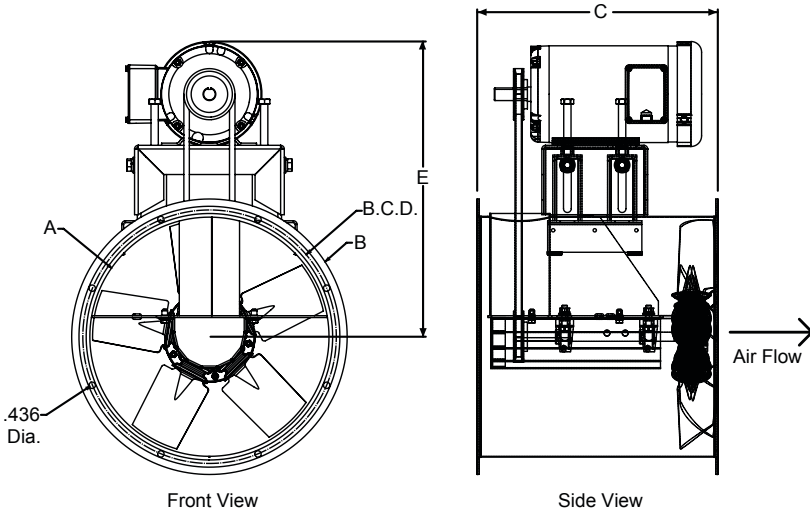
Vertical mounting available on special quote on sizes 34-48”.

**Note:** The 12 & 16 are designed to mount to a supported duct work and do not have all mounting configurations.



# PERFORMANCE/DIMENSIONS

## Size 12



**Max. Motor Frame:** 145T  
**Shaft Size:** 5/8"  
**Housing Gauge:** 16  
**Approximate Weight:** 90 lbs.  
**Flange Holes:** 6  
**Diameter Flange Holes:** 7/16"  
**Finish:** Epoxy Coated Galvanized

| A      | B      | C   | E  | B.C.D. |
|--------|--------|-----|----|--------|
| 12-3/8 | 14-1/2 | 12* | 21 | 13-1/2 |

A: ID B: OD C: Length E: Max. Height  
 \*Motor may extend past unit

| HP  | RPM  | Static Pressure (Inches W.G.) |      |       |      |      |      |       |      |      |      |
|-----|------|-------------------------------|------|-------|------|------|------|-------|------|------|------|
|     |      | 0                             |      | 0.125 |      | 0.25 |      | 0.375 |      | 0.5  |      |
|     |      | CFM                           | BHP  | CFM   | BHP  | CFM  | BHP  | CFM   | BHP  | CFM  | BHP  |
| 1/4 | 1550 | 1358                          | 0.20 | 1189  | 0.20 | -    | -    | -     | -    | -    | -    |
|     | 1600 | 1402                          | 0.21 | 1240  | 0.23 | 914  | 0.22 | -     | -    | -    | -    |
|     | 1650 | 1445                          | 0.24 | 1291  | 0.25 | 1021 | 0.24 | -     | -    | -    | -    |
|     | 1700 | 1489                          | 0.26 | 1341  | 0.27 | 1104 | 0.27 | -     | -    | -    | -    |
| 1/3 | 1725 | 1511                          | 0.27 | 1365  | 0.28 | 1141 | 0.28 | -     | -    | -    | -    |
|     | 1775 | 1555                          | 0.29 | 1414  | 0.31 | 1210 | 0.31 | -     | -    | -    | -    |
|     | 1825 | 1599                          | 0.32 | 1463  | 0.33 | 1274 | 0.34 | -     | -    | -    | -    |
|     | 1875 | 1642                          | 0.35 | 1511  | 0.36 | 1335 | 0.36 | -     | -    | -    | -    |
| 1/2 | 1925 | 1686                          | 0.37 | 1559  | 0.39 | 1393 | 0.39 | 1001  | 0.38 | -    | -    |
|     | 2000 | 1752                          | 0.42 | 1630  | 0.43 | 1478 | 0.44 | 1211  | 0.43 | -    | -    |
|     | 2075 | 1818                          | 0.47 | 1700  | 0.48 | 1559 | 0.49 | 1341  | 0.49 | -    | -    |
|     | 2150 | 1883                          | 0.52 | 1771  | 0.54 | 1638 | 0.55 | 1450  | 0.55 | -    | -    |
| 3/4 | 2200 | 1927                          | 0.56 | 1817  | 0.58 | 1690 | 0.59 | 1516  | 0.59 | -    | -    |
|     | 2275 | 1993                          | 0.62 | 1887  | 0.64 | 1767 | 0.65 | 1609  | 0.65 | 1324 | 0.63 |
|     | 2350 | 2059                          | 0.68 | 1956  | 0.70 | 1842 | 0.71 | 1698  | 0.72 | 1474 | 0.71 |
|     | 2425 | 2124                          | 0.75 | 2025  | 0.77 | 1916 | 0.78 | 1783  | 0.79 | 1593 | 0.78 |

Performance certified is for installation type A - free inlet, free outlet.  
 Performance ratings do not include the effects of appurtenances (accessories).  
 Power rating (BHP) does not include transmission losses.



S&P USA Ventilation Systems, LLC., Div. of Soler & Palau Ventilation Group certifies that the Models TDB shown herein are licensed to bear the AMCA Seal. The ratings shown are based on test and procedures performed in accordance with AMCA Publication 211 and AMCA Publication 311 and comply with the requirement of the AMCA Certified Ratings Program.

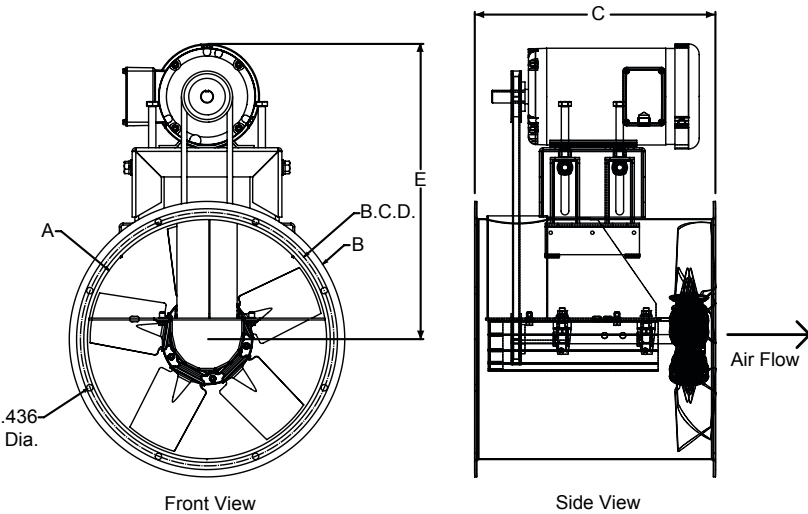




**MODEL TDB**  
BELT DRIVE TUBEAXIAL DUCT FAN



**Size 16**



**Max. Motor Frame:** 145T  
**Shaft Size:** 5/8"  
**Housing Gauge:** 16  
**Approximate Weight:** 110 lbs.  
**Flange Holes:** 8  
**Diameter Flange Holes:** 7/16"  
**Finish:** Epoxy Coated Galvanized

| A      | B      | C   | E  | B.C.D. |
|--------|--------|-----|----|--------|
| 16-3/8 | 18-1/2 | 17* | 23 | 17-3/8 |

A: ID B: OD C: Length E: Max. Height  
 \*Motor may extend past unit

| HP  | RPM  | Static Pressure (Inches W.G.) |      |       |      |      |      |       |      |      |      |       |      |      |      |       |      |      |      |      |      |
|-----|------|-------------------------------|------|-------|------|------|------|-------|------|------|------|-------|------|------|------|-------|------|------|------|------|------|
|     |      | 0                             |      | 0.125 |      | 0.25 |      | 0.375 |      | 0.5  |      | 0.625 |      | 0.75 |      | 0.875 |      | 1    |      | 1.25 |      |
|     |      | CFM                           | BHP  | CFM   | BHP  | CFM  | BHP  | CFM   | BHP  | CFM  | BHP  | CFM   | BHP  | CFM  | BHP  | CFM   | BHP  | CFM  | BHP  | CFM  | BHP  |
| 1/4 | 1100 | 1888                          | 0.13 | 1621  | 0.15 | 1270 | 0.16 | -     | -    | -    | -    | -     | -    | -    | -    | -     | -    | -    | -    | -    | -    |
|     | 1175 | 2017                          | 0.16 | 1771  | 0.18 | 1461 | 0.19 | -     | -    | -    | -    | -     | -    | -    | -    | -     | -    | -    | -    | -    | -    |
|     | 1225 | 2103                          | 0.18 | 1869  | 0.20 | 1581 | 0.22 | 1205  | 0.23 | -    | -    | -     | -    | -    | -    | -     | -    | -    | -    | -    | -    |
|     | 1275 | 2189                          | 0.21 | 1965  | 0.22 | 1696 | 0.24 | 1355  | 0.25 | -    | -    | -     | -    | -    | -    | -     | -    | -    | -    | -    | -    |
| 1/3 | 1300 | 2232                          | 0.22 | 2013  | 0.24 | 1753 | 0.25 | 1427  | 0.27 | -    | -    | -     | -    | -    | -    | -     | -    | -    | -    | -    | -    |
|     | 1350 | 2318                          | 0.25 | 2109  | 0.26 | 1863 | 0.28 | 1563  | 0.30 | 1182 | 0.30 | -     | -    | -    | -    | -     | -    | -    | -    | -    | -    |
|     | 1375 | 2360                          | 0.26 | 2156  | 0.28 | 1917 | 0.30 | 1628  | 0.31 | 1265 | 0.32 | -     | -    | -    | -    | -     | -    | -    | -    | -    | -    |
|     | 1425 | 2446                          | 0.29 | 2250  | 0.31 | 2023 | 0.33 | 1755  | 0.34 | 1424 | 0.36 | -     | -    | -    | -    | -     | -    | -    | -    | -    | -    |
| 1/2 | 1475 | 2532                          | 0.32 | 2343  | 0.34 | 2128 | 0.36 | 1876  | 0.38 | 1573 | 0.39 | 1202  | 0.40 | -    | -    | -     | -    | -    | -    | -    | -    |
|     | 1525 | 2618                          | 0.35 | 2436  | 0.37 | 2230 | 0.39 | 1994  | 0.41 | 1713 | 0.43 | 1374  | 0.44 | -    | -    | -     | -    | -    | -    | -    | -    |
|     | 1575 | 2704                          | 0.39 | 2529  | 0.41 | 2332 | 0.43 | 2108  | 0.45 | 1847 | 0.47 | 1535  | 0.48 | 1170 | 0.48 | -     | -    | -    | -    | -    | -    |
|     | 1625 | 2790                          | 0.43 | 2621  | 0.45 | 2432 | 0.47 | 2219  | 0.49 | 1975 | 0.51 | 1688  | 0.53 | 1349 | 0.53 | -     | -    | -    | -    | -    | -    |
| 3/4 | 1675 | 2875                          | 0.47 | 2712  | 0.49 | 2530 | 0.51 | 2328  | 0.53 | 2099 | 0.56 | 1832  | 0.57 | 1520 | 0.58 | 1168  | 0.58 | -    | -    | -    | -    |
|     | 1750 | 3004                          | 0.53 | 2849  | 0.56 | 2677 | 0.58 | 2488  | 0.60 | 2277 | 0.63 | 2037  | 0.65 | 1758 | 0.66 | 1439  | 0.66 | -    | -    | -    | -    |
|     | 1825 | 3133                          | 0.61 | 2985  | 0.63 | 2821 | 0.65 | 2644  | 0.68 | 2448 | 0.70 | 2229  | 0.72 | 1979 | 0.74 | 1693  | 0.75 | 1374 | 0.75 | -    | -    |
|     | 1875 | 3219                          | 0.66 | 3075  | 0.68 | 2917 | 0.70 | 2746  | 0.73 | 2560 | 0.76 | 2352  | 0.78 | 2118 | 0.80 | 1852  | 0.81 | 1553 | 0.82 | -    | -    |
| 1   | 1925 | 3305                          | 0.71 | 3165  | 0.73 | 3012 | 0.76 | 2848  | 0.79 | 2669 | 0.81 | 2472  | 0.84 | 2252 | 0.86 | 2004  | 0.87 | 1724 | 0.88 | -    | -    |
|     | 1975 | 3390                          | 0.77 | 3255  | 0.79 | 3106 | 0.82 | 2948  | 0.85 | 2776 | 0.87 | 2589  | 0.90 | 2381 | 0.92 | 2149  | 0.94 | 1888 | 0.95 | 1296 | 0.96 |
|     | 2025 | 3476                          | 0.83 | 3344  | 0.85 | 3200 | 0.88 | 3047  | 0.91 | 2882 | 0.93 | 2703  | 0.96 | 2506 | 0.99 | 2288  | 1.01 | 2043 | 1.02 | 1480 | 1.03 |
|     | 2075 | 3562                          | 0.89 | 3433  | 0.92 | 3294 | 0.94 | 3145  | 0.97 | 2986 | 1.00 | 2815  | 1.03 | 2627 | 1.05 | 2421  | 1.08 | 2192 | 1.09 | 1661 | 1.11 |

Performance certified is for installation type A - free inlet, free outlet.  
 Performance ratings do not include the effects of appurtenances (accessories).  
 Power rating (BHP) does not include transmission losses.

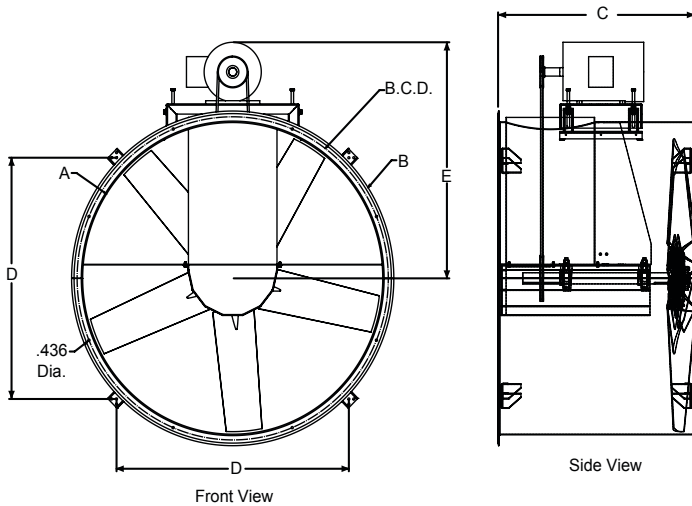


S&P USA Ventilation Systems, LLC., Div. of Soler & Palau Ventilation Group certifies that the Models TDB shown herein are licensed to bear the AMCA Seal. The ratings shown are based on test and procedures performed in accordance with AMCA Publication 211 and AMCA Publication 311 and comply with the requirement of the AMCA Certified Ratings Program.





**Size 18**



**Max. Motor Frame:** 182T  
**Shaft Size:** 1"  
**Housing Gauge:** 14  
**Approximate Weight:** 140 lbs.  
**Flange Holes:** 8  
**Diameter Flange Holes:** 7/16"  
**Finish:** Epoxy Coated  
 Galvanized

| A      | B      | C   | D        | E      | B.C.D. |
|--------|--------|-----|----------|--------|--------|
| 18-3/8 | 22-1/2 | 22* | 17-15/16 | 25-1/2 | 19-3/4 |

A: ID B: OD C: Length E: Max. Height  
 \*Motor may extend past unit

| HP    | RPM  | Static Pressure (Inches W.G.) |      |       |      |      |      |       |      |      |      |       |      |      |      |       |      |      |      |
|-------|------|-------------------------------|------|-------|------|------|------|-------|------|------|------|-------|------|------|------|-------|------|------|------|
|       |      | 0                             |      | 0.125 |      | 0.25 |      | 0.375 |      | 0.5  |      | 0.625 |      | 0.75 |      | 0.875 |      | 1    |      |
|       |      | CFM                           | BHP  | CFM   | BHP  | CFM  | BHP  | CFM   | BHP  | CFM  | BHP  | CFM   | BHP  | CFM  | BHP  | CFM   | BHP  | CFM  | BHP  |
| 1/4   | 1000 | 2509                          | 0.15 | 2122  | 0.17 | -    | -    | -     | -    | -    | -    | -     | -    | -    | -    | -     | -    | -    | -    |
|       | 1050 | 2635                          | 0.17 | 2268  | 0.19 | 1809 | 0.21 | -     | -    | -    | -    | -     | -    | -    | -    | -     | -    | -    | -    |
|       | 1100 | 2760                          | 0.20 | 2412  | 0.22 | 1999 | 0.24 | -     | -    | -    | -    | -     | -    | -    | -    | -     | -    | -    | -    |
|       | 1125 | 2823                          | 0.21 | 2483  | 0.23 | 2089 | 0.25 | -     | -    | -    | -    | -     | -    | -    | -    | -     | -    | -    | -    |
| 1/3   | 1150 | 2886                          | 0.23 | 2554  | 0.25 | 2175 | 0.27 | -     | -    | -    | -    | -     | -    | -    | -    | -     | -    | -    | -    |
|       | 1200 | 3011                          | 0.26 | 2694  | 0.28 | 2342 | 0.30 | 1827  | 0.32 | -    | -    | -     | -    | -    | -    | -     | -    | -    | -    |
|       | 1225 | 3074                          | 0.27 | 2763  | 0.30 | 2422 | 0.32 | 1952  | 0.34 | -    | -    | -     | -    | -    | -    | -     | -    | -    | -    |
| 1/2   | 1275 | 3199                          | 0.31 | 2902  | 0.33 | 2580 | 0.36 | 2172  | 0.38 | -    | -    | -     | -    | -    | -    | -     | -    | -    | -    |
|       | 1300 | 3262                          | 0.33 | 2970  | 0.35 | 2658 | 0.38 | 2271  | 0.40 | -    | -    | -     | -    | -    | -    | -     | -    | -    | -    |
|       | 1350 | 3387                          | 0.37 | 3107  | 0.39 | 2810 | 0.42 | 2459  | 0.44 | -    | -    | -     | -    | -    | -    | -     | -    | -    | -    |
|       | 1400 | 3513                          | 0.41 | 3243  | 0.43 | 2959 | 0.46 | 2635  | 0.49 | 2184 | 0.50 | -     | -    | -    | -    | -     | -    | -    | -    |
| 3/4   | 1450 | 3638                          | 0.45 | 3379  | 0.48 | 3106 | 0.51 | 2803  | 0.54 | 2414 | 0.56 | -     | -    | -    | -    | -     | -    | -    | -    |
|       | 1500 | 3764                          | 0.50 | 3513  | 0.53 | 3251 | 0.56 | 2966  | 0.59 | 2618 | 0.61 | 2059  | 0.62 | -    | -    | -     | -    | -    | -    |
|       | 1550 | 3889                          | 0.56 | 3647  | 0.58 | 3395 | 0.61 | 3124  | 0.64 | 2807 | 0.67 | 2363  | 0.68 | -    | -    | -     | -    | -    | -    |
|       | 1600 | 4015                          | 0.61 | 3781  | 0.64 | 3537 | 0.67 | 3279  | 0.70 | 2985 | 0.73 | 2606  | 0.75 | -    | -    | -     | -    | -    | -    |
| 1     | 1650 | 4140                          | 0.67 | 3914  | 0.70 | 3678 | 0.73 | 3431  | 0.76 | 3156 | 0.79 | 2820  | 0.82 | 2303 | 0.82 | -     | -    | -    | -    |
|       | 1675 | 4203                          | 0.70 | 3980  | 0.73 | 3748 | 0.76 | 3506  | 0.79 | 3239 | 0.82 | 2919  | 0.85 | 2461 | 0.86 | -     | -    | -    | -    |
|       | 1725 | 4328                          | 0.77 | 4113  | 0.79 | 3887 | 0.82 | 3655  | 0.86 | 3402 | 0.89 | 3109  | 0.92 | 2726 | 0.94 | -     | -    | -    | -    |
|       | 1775 | 4454                          | 0.83 | 4245  | 0.86 | 4026 | 0.89 | 3801  | 0.93 | 3561 | 0.97 | 3289  | 1.00 | 2953 | 1.02 | 2437  | 1.02 | -    | -    |
| 1 1/2 | 1825 | 4579                          | 0.91 | 4377  | 0.93 | 4164 | 0.97 | 3947  | 1.00 | 3717 | 1.04 | 3462  | 1.08 | 3159 | 1.10 | 2748  | 1.12 | -    | -    |
|       | 1850 | 4642                          | 0.94 | 4442  | 0.97 | 4233 | 1.01 | 4019  | 1.04 | 3794 | 1.08 | 3546  | 1.12 | 3257 | 1.15 | 2879  | 1.16 | -    | -    |
|       | 1925 | 4830                          | 1.06 | 4639  | 1.09 | 4438 | 1.13 | 4234  | 1.17 | 4021 | 1.20 | 3792  | 1.24 | 3534 | 1.28 | 3223  | 1.30 | 2787 | 1.31 |
|       | 2000 | 5018                          | 1.19 | 4835  | 1.22 | 4641 | 1.26 | 4446  | 1.30 | 4244 | 1.34 | 4030  | 1.38 | 3795 | 1.41 | 3525  | 1.45 | 3186 | 1.47 |
|       | 2075 | 5207                          | 1.33 | 5031  | 1.36 | 4844 | 1.40 | 4656  | 1.44 | 4464 | 1.48 | 4262  | 1.52 | 4044 | 1.56 | 3802  | 1.60 | 3517 | 1.63 |

Performance certified is for installation type A - free inlet, free outlet.  
 Performance ratings do not include the effects of appurtenances (accessories).  
 Power rating (BHP) does not include transmission losses.



S&P USA Ventilation Systems, LLC., Div. of Soler & Palau Ventilation Group certifies that the Models TDB shown herein are licensed to bear the AMCA Seal. The ratings shown are based on test and procedures performed in accordance with AMCA Publication 211 and AMCA Publication 311 and comply with the requirement of the AMCA Certified Ratings Program.

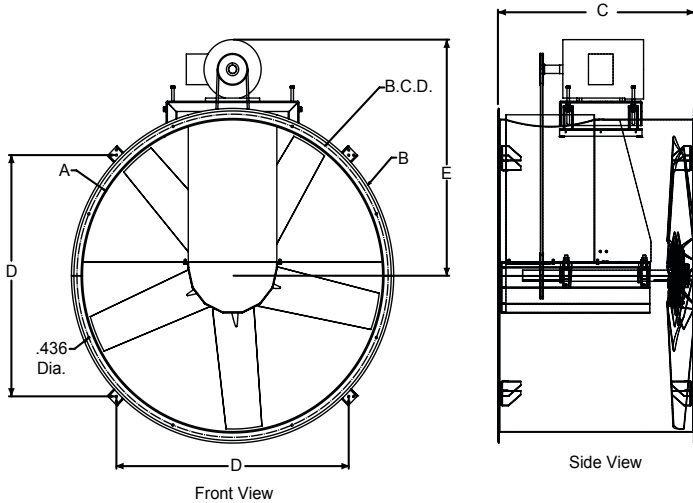




**MODEL TDB**  
BELT DRIVE TUBEAXIAL DUCT FAN



**Size 20**



**Max. Motor Frame:** 184T  
**Shaft Size:** 1"  
**Housing Gauge:** 14  
**Approximate Weight:** 150 lbs.  
**Flange Holes:** 8  
**Diameter Flange Holes:** 7/16"  
**Finish:** Epoxy Coated Galvanized

| A      | B      | C  | D      | E      | B.C.D. |
|--------|--------|----|--------|--------|--------|
| 20-3/8 | 24-1/2 | 22 | 18-3/8 | 26-1/2 | 21-3/4 |

A: ID B: OD C: Length E: Max. Height

| HP    | RPM  | Static Pressure (Inches W.G.) |      |       |      |      |      |       |      |      |      |       |      |      |      |       |      |      |      |       |      |
|-------|------|-------------------------------|------|-------|------|------|------|-------|------|------|------|-------|------|------|------|-------|------|------|------|-------|------|
|       |      | 0                             |      | 0.125 |      | 0.25 |      | 0.375 |      | 0.5  |      | 0.625 |      | 0.75 |      | 0.875 |      | 1    |      | 1.125 |      |
|       |      | CFM                           | BHP  | CFM   | BHP  | CFM  | BHP  | CFM   | BHP  | CFM  | BHP  | CFM   | BHP  | CFM  | BHP  | CFM   | BHP  | CFM  | BHP  | CFM   | BHP  |
| 1/3   | 1050 | 3404                          | 0.23 | 2933  | 0.25 | -    | -    | -     | -    | -    | -    | -     | -    | -    | -    | -     | -    | -    | -    | -     | -    |
|       | 1100 | 3566                          | 0.26 | 3119  | 0.29 | -    | -    | -     | -    | -    | -    | -     | -    | -    | -    | -     | -    | -    | -    | -     | -    |
|       | 1125 | 3647                          | 0.28 | 3211  | 0.31 | 2701 | 0.33 | -     | -    | -    | -    | -     | -    | -    | -    | -     | -    | -    | -    | -     | -    |
|       | 1150 | 3728                          | 0.30 | 3302  | 0.33 | 2812 | 0.35 | -     | -    | -    | -    | -     | -    | -    | -    | -     | -    | -    | -    | -     | -    |
| 1/2   | 1175 | 3809                          | 0.32 | 3393  | 0.35 | 2921 | 0.37 | -     | -    | -    | -    | -     | -    | -    | -    | -     | -    | -    | -    | -     | -    |
|       | 1225 | 3971                          | 0.36 | 3573  | 0.39 | 3132 | 0.42 | -     | -    | -    | -    | -     | -    | -    | -    | -     | -    | -    | -    | -     | -    |
|       | 1275 | 4133                          | 0.40 | 3751  | 0.44 | 3336 | 0.47 | 2813  | 0.49 | -    | -    | -     | -    | -    | -    | -     | -    | -    | -    | -     | -    |
|       | 1300 | 4214                          | 0.43 | 3840  | 0.46 | 3436 | 0.49 | 2940  | 0.52 | -    | -    | -     | -    | -    | -    | -     | -    | -    | -    | -     | -    |
| 3/4   | 1325 | 4295                          | 0.45 | 3929  | 0.49 | 3535 | 0.52 | 3062  | 0.55 | -    | -    | -     | -    | -    | -    | -     | -    | -    | -    | -     | -    |
|       | 1375 | 4457                          | 0.51 | 4104  | 0.54 | 3730 | 0.58 | 3295  | 0.61 | 2692 | 0.62 | -     | -    | -    | -    | -     | -    | -    | -    | -     | -    |
|       | 1400 | 4539                          | 0.53 | 4192  | 0.57 | 3826 | 0.61 | 3407  | 0.64 | 2848 | 0.66 | -     | -    | -    | -    | -     | -    | -    | -    | -     | -    |
|       | 1450 | 4701                          | 0.59 | 4366  | 0.63 | 4017 | 0.67 | 3624  | 0.70 | 3131 | 0.73 | -     | -    | -    | -    | -     | -    | -    | -    | -     | -    |
| 1     | 1525 | 4944                          | 0.69 | 4626  | 0.73 | 4297 | 0.77 | 3938  | 0.81 | 3512 | 0.84 | -     | -    | -    | -    | -     | -    | -    | -    | -     | -    |
|       | 1575 | 5106                          | 0.76 | 4799  | 0.80 | 4482 | 0.84 | 4140  | 0.88 | 3747 | 0.91 | 3242  | 0.93 | -    | -    | -     | -    | -    | -    | -     | -    |
|       | 1625 | 5268                          | 0.84 | 4971  | 0.88 | 4665 | 0.92 | 4339  | 0.96 | 3971 | 1.00 | 3522  | 1.02 | -    | -    | -     | -    | -    | -    | -     | -    |
|       | 1675 | 5430                          | 0.92 | 5142  | 0.96 | 4846 | 1.00 | 4534  | 1.04 | 4188 | 1.08 | 3779  | 1.11 | 3238 | 1.13 | -     | -    | -    | -    | -     | -    |
| 1 1/2 | 1700 | 5511                          | 0.96 | 5227  | 1.00 | 4936 | 1.05 | 4630  | 1.09 | 4294 | 1.13 | 3902  | 1.16 | 3398 | 1.18 | -     | -    | -    | -    | -     | -    |
|       | 1775 | 5754                          | 1.09 | 5483  | 1.13 | 5205 | 1.18 | 4916  | 1.23 | 4604 | 1.27 | 4253  | 1.31 | 3830 | 1.33 | 3259  | 1.34 | -    | -    | -     | -    |
|       | 1850 | 5997                          | 1.23 | 5737  | 1.28 | 5472 | 1.33 | 5197  | 1.38 | 4906 | 1.42 | 4585  | 1.46 | 4215 | 1.50 | 3755  | 1.51 | -    | -    | -     | -    |
|       | 1925 | 6240                          | 1.39 | 5990  | 1.44 | 5736 | 1.49 | 5475  | 1.54 | 5200 | 1.59 | 4903  | 1.63 | 4570 | 1.67 | 4179  | 1.70 | 3678 | 1.71 | -     | -    |
| 2     | 1950 | 6322                          | 1.44 | 6075  | 1.49 | 5824 | 1.55 | 5566  | 1.60 | 5296 | 1.64 | 5006  | 1.69 | 4684 | 1.73 | 4310  | 1.76 | 3842 | 1.78 | -     | -    |
|       | 2000 | 6484                          | 1.56 | 6243  | 1.61 | 5999 | 1.66 | 5749  | 1.71 | 5488 | 1.76 | 5211  | 1.81 | 4907 | 1.85 | 4561  | 1.89 | 4146 | 1.91 | -     | -    |
|       | 2050 | 6646                          | 1.68 | 6411  | 1.73 | 6173 | 1.78 | 5930  | 1.84 | 5678 | 1.89 | 5412  | 1.94 | 5123 | 1.98 | 4801  | 2.02 | 4425 | 2.05 | 3956  | 2.06 |
|       | 2075 | 6727                          | 1.74 | 6495  | 1.79 | 6260 | 1.85 | 6020  | 1.90 | 5772 | 1.95 | 5511  | 2.00 | 5229 | 2.05 | 4917  | 2.09 | 4558 | 2.12 | 4118  | 2.14 |

Performance certified is for installation type A - free inlet, free outlet.  
 Performance ratings do not include the effects of appurtenances (accessories).  
 Power rating (BHP) does not include transmission losses.



S&P USA Ventilation Systems, LLC., Div. of Soler & Palau Ventilation Group certifies that the Models TDB shown herein are licensed to bear the AMCA Seal. The ratings shown are based on test and procedures performed in accordance with AMCA Publication 211 and AMCA Publication 311 and comply with the requirement of the AMCA Certified Ratings Program.



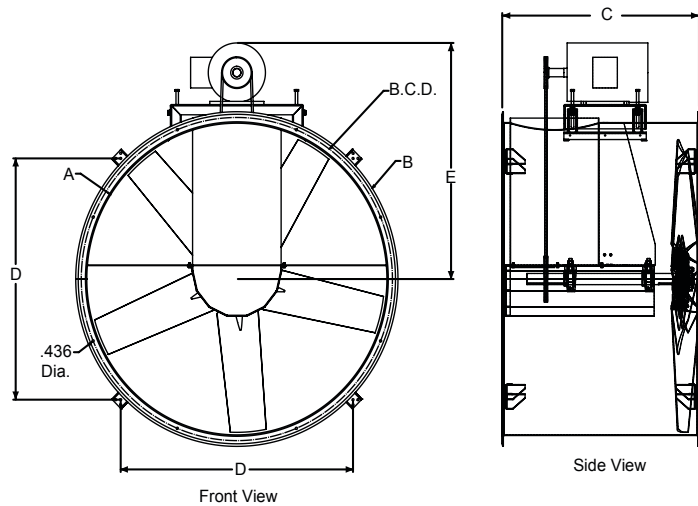




**MODEL TDB**  
BELT DRIVE TUBEAXIAL DUCT FAN



**Size 24**



**Max. Motor Frame:** 184T  
**Shaft Size:** 1"  
**Housing Gauge:** 12  
**Approximate Weight:** 220 lbs.  
**Flange Holes:** 8  
**Diameter Flange Holes:** 7/16"  
**Finish:** Epoxy Coated Galvanized

| A      | B       | C  | D      | E      | B.C.D. |
|--------|---------|----|--------|--------|--------|
| 24-3/8 | 28-9/16 | 23 | 21-1/4 | 28-1/2 | 25-3/4 |

A: ID B: OD C: Length E: Max. Height

| HP    | RPM  | Static Pressure (Inches W.G.) |      |       |      |      |      |       |      |      |      |       |      |      |      |       |      |      |      |
|-------|------|-------------------------------|------|-------|------|------|------|-------|------|------|------|-------|------|------|------|-------|------|------|------|
|       |      | 0                             |      | 0.125 |      | 0.25 |      | 0.375 |      | 0.5  |      | 0.625 |      | 0.75 |      | 0.875 |      | 1    |      |
|       |      | CFM                           | BHP  | CFM   | BHP  | CFM  | BHP  | CFM   | BHP  | CFM  | BHP  | CFM   | BHP  | CFM  | BHP  | CFM   | BHP  | CFM  | BHP  |
| 1/2   | 800  | 4768                          | 0.25 | 4031  | 0.28 | -    | -    | -     | -    | -    | -    | -     | -    | -    | -    | -     | -    | -    | -    |
|       | 850  | 5066                          | 0.30 | 4379  | 0.33 | 3485 | 0.35 | -     | -    | -    | -    | -     | -    | -    | -    | -     | -    | -    | -    |
|       | 900  | 5364                          | 0.35 | 4721  | 0.38 | 3937 | 0.41 | -     | -    | -    | -    | -     | -    | -    | -    | -     | -    | -    | -    |
|       | 950  | 5662                          | 0.41 | 5056  | 0.45 | 4351 | 0.48 | -     | -    | -    | -    | -     | -    | -    | -    | -     | -    | -    | -    |
| 3/4   | 975  | 5811                          | 0.45 | 5223  | 0.48 | 4548 | 0.51 | 3555  | 0.53 | -    | -    | -     | -    | -    | -    | -     | -    | -    | -    |
|       | 1025 | 6109                          | 0.52 | 5552  | 0.56 | 4929 | 0.59 | 4110  | 0.62 | -    | -    | -     | -    | -    | -    | -     | -    | -    | -    |
|       | 1075 | 6407                          | 0.60 | 5878  | 0.64 | 5297 | 0.68 | 4583  | 0.70 | -    | -    | -     | -    | -    | -    | -     | -    | -    | -    |
|       | 1125 | 6705                          | 0.69 | 6201  | 0.73 | 5655 | 0.77 | 5014  | 0.80 | 4095 | 0.82 | -     | -    | -    | -    | -     | -    | -    | -    |
| 1     | 1150 | 6854                          | 0.73 | 6362  | 0.77 | 5831 | 0.82 | 5220  | 0.85 | 4390 | 0.87 | -     | -    | -    | -    | -     | -    | -    | -    |
|       | 1200 | 7152                          | 0.83 | 6682  | 0.88 | 6179 | 0.92 | 5615  | 0.96 | 4908 | 0.99 | -     | -    | -    | -    | -     | -    | -    | -    |
|       | 1225 | 7301                          | 0.89 | 6842  | 0.93 | 6351 | 0.97 | 5807  | 1.01 | 5144 | 1.05 | -     | -    | -    | -    | -     | -    | -    | -    |
|       | 1250 | 7450                          | 0.94 | 7001  | 0.99 | 6521 | 1.03 | 5996  | 1.07 | 5370 | 1.11 | 4479  | 1.12 | -    | -    | -     | -    | -    | -    |
| 1 1/2 | 1275 | 7599                          | 1.00 | 7159  | 1.04 | 6691 | 1.09 | 6182  | 1.13 | 5587 | 1.17 | 4786  | 1.19 | -    | -    | -     | -    | -    | -    |
|       | 1325 | 7897                          | 1.12 | 7475  | 1.17 | 7027 | 1.22 | 6548  | 1.26 | 6004 | 1.30 | 5323  | 1.33 | -    | -    | -     | -    | -    | -    |
|       | 1375 | 8195                          | 1.25 | 7790  | 1.30 | 7360 | 1.35 | 6906  | 1.40 | 6401 | 1.44 | 5801  | 1.48 | -    | -    | -     | -    | -    | -    |
|       | 1425 | 8493                          | 1.39 | 8103  | 1.44 | 7690 | 1.50 | 7258  | 1.55 | 6785 | 1.59 | 6243  | 1.63 | 5558 | 1.66 | -     | -    | -    | -    |
| 2     | 1450 | 8642                          | 1.47 | 8259  | 1.52 | 7854 | 1.57 | 7431  | 1.63 | 6974 | 1.67 | 6454  | 1.72 | 5817 | 1.74 | -     | -    | -    | -    |
|       | 1500 | 8940                          | 1.63 | 8571  | 1.68 | 8181 | 1.73 | 7776  | 1.79 | 7343 | 1.84 | 6862  | 1.88 | 6297 | 1.92 | 5561  | 1.93 | -    | -    |
|       | 1525 | 9089                          | 1.71 | 8727  | 1.76 | 8344 | 1.82 | 7947  | 1.87 | 7525 | 1.93 | 7061  | 1.97 | 6524 | 2.01 | 5849  | 2.03 | -    | -    |
|       | 1550 | 9238                          | 1.79 | 8882  | 1.85 | 8506 | 1.91 | 8117  | 1.96 | 7705 | 2.02 | 7256  | 2.06 | 6744 | 2.11 | 6117  | 2.13 | -    | -    |
| 3     | 1625 | 9685                          | 2.07 | 9348  | 2.12 | 8989 | 2.18 | 8622  | 2.24 | 8237 | 2.30 | 7825  | 2.35 | 7371 | 2.40 | 6846  | 2.44 | 6194 | 2.46 |
|       | 1675 | 9983                          | 2.26 | 9657  | 2.32 | 9309 | 2.38 | 8955  | 2.45 | 8586 | 2.51 | 8195  | 2.56 | 7769 | 2.61 | 7291  | 2.66 | 6723 | 2.69 |
|       | 1725 | 10281                         | 2.47 | 9965  | 2.53 | 9628 | 2.60 | 9285  | 2.66 | 8931 | 2.72 | 8557  | 2.78 | 8156 | 2.84 | 7714  | 2.88 | 7206 | 2.92 |
|       | 1775 | 10579                         | 2.69 | 10274 | 2.75 | 9946 | 2.82 | 9614  | 2.89 | 9272 | 2.95 | 8914  | 3.01 | 8534 | 3.07 | 8121  | 3.12 | 7658 | 3.17 |

Performance certified is for installation type A - free inlet, free outlet.  
 Performance ratings do not include the effects of appurtenances (accessories).  
 Power rating (BHP) does not include transmission losses.



S&P USA Ventilation Systems, LLC., Div. of Soler & Palau Ventilation Group certifies that the Models TDB shown herein are licensed to bear the AMCA Seal. The ratings shown are based on test and procedures performed in accordance with AMCA Publication 211 and AMCA Publication 311 and comply with the requirement of the AMCA Certified Ratings Program.

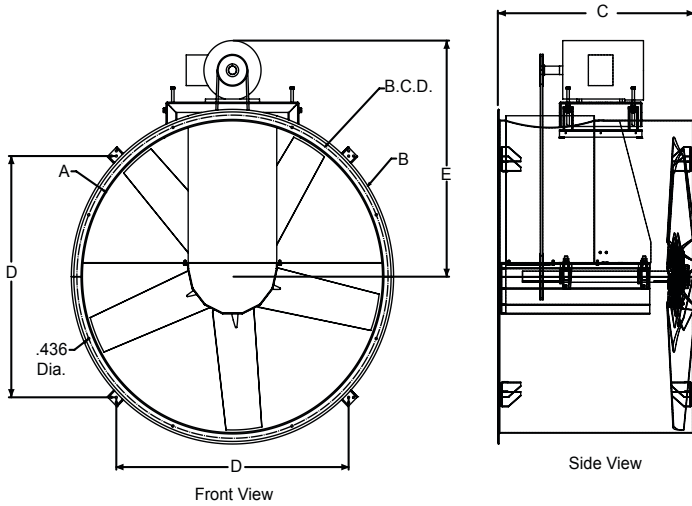




**MODEL TDB**  
BELT DRIVE TUBEAXIAL DUCT FAN



**Size 30**



**Max. Motor Frame:** 254T  
**Shaft Size:** 1-3/16"  
**Housing Gauge:** 12  
**Approximate Weight:** 260 lbs.  
**Flange Holes:** 8  
**Diameter Flange Holes:** 7/16"  
**Finish:** Epoxy Coated  
 Galvanized

| A      | B       | C  | D      | E  | B.C.D. |
|--------|---------|----|--------|----|--------|
| 30-3/8 | 34-9/16 | 24 | 25-1/2 | 35 | 32     |

A: ID B: OD C: Length E: Max. Height

| HP    | RPM  | Static Pressure (Inches W.G.) |      |       |      |       |      |       |      |       |      |       |      |       |      |       |      |       |      |       |      |
|-------|------|-------------------------------|------|-------|------|-------|------|-------|------|-------|------|-------|------|-------|------|-------|------|-------|------|-------|------|
|       |      | 0                             |      | 0.125 |      | 0.25  |      | 0.375 |      | 0.5   |      | 0.625 |      | 0.75  |      | 0.875 |      | 1     |      | 1.125 |      |
|       |      | CFM                           | BHP  | CFM   | BHP  | CFM   | BHP  | CFM   | BHP  | CFM   | BHP  | CFM   | BHP  | CFM   | BHP  | CFM   | BHP  | CFM   | BHP  | CFM   | BHP  |
| 1/2   | 600  | 6561                          | 0.24 | 4936  | 0.27 | -     | -    | -     | -    | -     | -    | -     | -    | -     | -    | -     | -    | -     | -    | -     | -    |
|       | 650  | 7108                          | 0.31 | 5666  | 0.34 | -     | -    | -     | -    | -     | -    | -     | -    | -     | -    | -     | -    | -     | -    | -     | -    |
|       | 700  | 7655                          | 0.38 | 6351  | 0.42 | 4239  | 0.42 | -     | -    | -     | -    | -     | -    | -     | -    | -     | -    | -     | -    | -     | -    |
|       | 750  | 8202                          | 0.47 | 7008  | 0.51 | 5319  | 0.53 | -     | -    | -     | -    | -     | -    | -     | -    | -     | -    | -     | -    | -     | -    |
| 3/4   | 775  | 8475                          | 0.52 | 7328  | 0.57 | 5780  | 0.58 | -     | -    | -     | -    | -     | -    | -     | -    | -     | -    | -     | -    | -     | -    |
|       | 800  | 8748                          | 0.57 | 7644  | 0.62 | 6209  | 0.64 | -     | -    | -     | -    | -     | -    | -     | -    | -     | -    | -     | -    | -     | -    |
|       | 825  | 9022                          | 0.62 | 7957  | 0.68 | 6614  | 0.70 | -     | -    | -     | -    | -     | -    | -     | -    | -     | -    | -     | -    | -     | -    |
|       | 850  | 9295                          | 0.68 | 8267  | 0.74 | 7002  | 0.77 | 5007  | 0.76 | -     | -    | -     | -    | -     | -    | -     | -    | -     | -    | -     | -    |
| 1     | 875  | 9568                          | 0.74 | 8574  | 0.80 | 7377  | 0.83 | 5610  | 0.83 | -     | -    | -     | -    | -     | -    | -     | -    | -     | -    | -     | -    |
|       | 900  | 9842                          | 0.81 | 8879  | 0.87 | 7740  | 0.90 | 6147  | 0.91 | -     | -    | -     | -    | -     | -    | -     | -    | -     | -    | -     | -    |
|       | 925  | 10115                         | 0.88 | 9181  | 0.94 | 8094  | 0.98 | 6637  | 0.99 | -     | -    | -     | -    | -     | -    | -     | -    | -     | -    | -     | -    |
|       | 950  | 10389                         | 0.95 | 9482  | 1.02 | 8441  | 1.06 | 7094  | 1.07 | 4911  | 1.05 | -     | -    | -     | -    | -     | -    | -     | -    | -     | -    |
| 1 1/2 | 975  | 10662                         | 1.03 | 9781  | 1.10 | 8781  | 1.14 | 7524  | 1.16 | 5612  | 1.14 | -     | -    | -     | -    | -     | -    | -     | -    | -     | -    |
|       | 1025 | 11209                         | 1.20 | 10375 | 1.27 | 9446  | 1.32 | 8330  | 1.34 | 6800  | 1.34 | -     | -    | -     | -    | -     | -    | -     | -    | -     | -    |
|       | 1075 | 11755                         | 1.38 | 10963 | 1.46 | 10095 | 1.51 | 9084  | 1.54 | 7793  | 1.55 | -     | -    | -     | -    | -     | -    | -     | -    | -     | -    |
|       | 1100 | 12029                         | 1.48 | 11256 | 1.56 | 10414 | 1.62 | 9447  | 1.65 | 8244  | 1.66 | 6532  | 1.64 | -     | -    | -     | -    | -     | -    | -     | -    |
| 2     | 1125 | 12302                         | 1.58 | 11548 | 1.66 | 10731 | 1.72 | 9802  | 1.76 | 8674  | 1.78 | 7136  | 1.76 | -     | -    | -     | -    | -     | -    | -     | -    |
|       | 1150 | 12576                         | 1.69 | 11838 | 1.77 | 11045 | 1.84 | 10151 | 1.88 | 9086  | 1.90 | 7688  | 1.89 | -     | -    | -     | -    | -     | -    | -     | -    |
|       | 1175 | 12849                         | 1.80 | 12128 | 1.89 | 11356 | 1.95 | 10495 | 2.00 | 9484  | 2.02 | 8199  | 2.02 | -     | -    | -     | -    | -     | -    | -     | -    |
|       | 1200 | 13122                         | 1.92 | 12417 | 2.01 | 11666 | 2.08 | 10834 | 2.13 | 9871  | 2.15 | 8678  | 2.16 | 7027  | 2.13 | -     | -    | -     | -    | -     | -    |
| 3     | 1225 | 13396                         | 2.04 | 12706 | 2.13 | 11973 | 2.20 | 11168 | 2.26 | 10248 | 2.29 | 9132  | 2.30 | 7645  | 2.28 | -     | -    | -     | -    | -     | -    |
|       | 1275 | 13943                         | 2.30 | 13281 | 2.40 | 12583 | 2.47 | 11826 | 2.53 | 10977 | 2.57 | 9984  | 2.59 | 8738  | 2.58 | -     | -    | -     | -    | -     | -    |
|       | 1325 | 14489                         | 2.58 | 13853 | 2.68 | 13188 | 2.76 | 12471 | 2.83 | 11681 | 2.88 | 10780 | 2.90 | 9699  | 2.90 | 8302  | 2.88 | -     | -    | -     | -    |
|       | 1375 | 15036                         | 2.89 | 14424 | 2.99 | 13787 | 3.08 | 13107 | 3.15 | 12366 | 3.20 | 11538 | 3.23 | 10576 | 3.25 | 9394  | 3.23 | -     | -    | -     | -    |
| 5     | 1400 | 15309                         | 3.05 | 14709 | 3.15 | 14085 | 3.24 | 13421 | 3.32 | 12702 | 3.37 | 11905 | 3.41 | 10991 | 3.43 | 9891  | 3.42 | -     | -    | -     | -    |
|       | 1475 | 16130                         | 3.56 | 15560 | 3.68 | 14972 | 3.77 | 14353 | 3.85 | 13691 | 3.92 | 12971 | 3.97 | 12170 | 4.00 | 11250 | 4.01 | 10146 | 3.99 | -     | -    |
|       | 1550 | 16950                         | 4.14 | 16408 | 4.26 | 15852 | 4.36 | 15271 | 4.45 | 14656 | 4.52 | 13997 | 4.58 | 13278 | 4.62 | 12478 | 4.65 | 11560 | 4.65 | -     | -    |
|       | 1600 | 17497                         | 4.55 | 16972 | 4.67 | 16436 | 4.78 | 15877 | 4.87 | 15289 | 4.96 | 14664 | 5.02 | 13989 | 5.07 | 13249 | 5.10 | 12418 | 5.12 | 10298 | 5.08 |

Performance certified is for installation type A - free inlet, free outlet.  
 Performance ratings do not include the effects of appurtenances (accessories).  
 Power rating (BHP) does not include transmission losses.

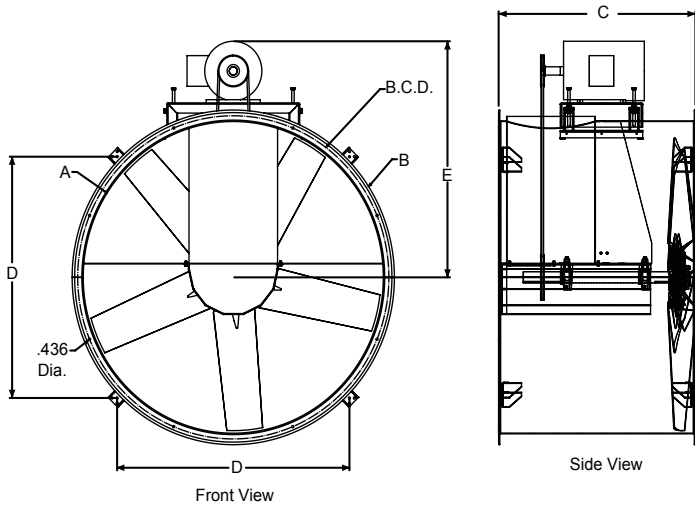


S&P USA Ventilation Systems, LLC., Div. of Soler & Palau Ventilation Group certifies that the Models TDB shown herein are licensed to bear the AMCA Seal. The ratings shown are based on test and procedures performed in accordance with AMCA Publication 211 and AMCA Publication 311 and comply with the requirement of the AMCA Certified Ratings Program.





**Size 34**



**Max. Motor Frame:** 254T  
**Shaft Size:** 1-7/16"  
**Housing Gauge:** 12  
**Approximate Weight:** 310 lbs.  
**Flange Holes:** 8  
**Diameter Flange Holes:** 7/16"  
**Finish:** Epoxy Coated Galvanized

| A      | B       | C  | D      | E  | B.C.D. |
|--------|---------|----|--------|----|--------|
| 34-3/8 | 38-9/16 | 27 | 28-5/8 | 37 | 36-3/8 |

A: ID B: OD C: Length E: Max. Height

| HP    | RPM  | Static Pressure (Inches W.G.) |      |       |      |       |      |       |      |       |      |       |      |       |      |       |      |       |      |       |      |       |      |   |
|-------|------|-------------------------------|------|-------|------|-------|------|-------|------|-------|------|-------|------|-------|------|-------|------|-------|------|-------|------|-------|------|---|
|       |      | 0                             |      | 0.125 |      | 0.25  |      | 0.375 |      | 0.5   |      | 0.625 |      | 0.75  |      | 0.875 |      | 1     |      | 1.125 |      | 1.5   |      |   |
|       |      | CFM                           | BHP  | CFM   | BHP  | CFM   | BHP  | CFM   | BHP  | CFM   | BHP  | CFM   | BHP  | CFM   | BHP  | CFM   | BHP  | CFM   | BHP  | CFM   | BHP  | CFM   | BHP  |   |
| 3/4   | 600  | 9375                          | 0.43 | 7491  | 0.48 | -     | -    | -     | -    | -     | -    | -     | -    | -     | -    | -     | -    | -     | -    | -     | -    | -     | -    | - |
|       | 625  | 9765                          | 0.49 | 7994  | 0.54 | -     | -    | -     | -    | -     | -    | -     | -    | -     | -    | -     | -    | -     | -    | -     | -    | -     | -    | - |
|       | 650  | 10156                         | 0.55 | 8483  | 0.60 | 5890  | 0.60 | -     | -    | -     | -    | -     | -    | -     | -    | -     | -    | -     | -    | -     | -    | -     | -    | - |
|       | 675  | 10547                         | 0.61 | 8960  | 0.67 | 6580  | 0.67 | -     | -    | -     | -    | -     | -    | -     | -    | -     | -    | -     | -    | -     | -    | -     | -    | - |
| 1     | 700  | 10937                         | 0.69 | 9428  | 0.75 | 7235  | 0.75 | -     | -    | -     | -    | -     | -    | -     | -    | -     | -    | -     | -    | -     | -    | -     | -    | - |
|       | 725  | 11328                         | 0.76 | 9887  | 0.83 | 7858  | 0.84 | 5118  | 0.84 | -     | -    | -     | -    | -     | -    | -     | -    | -     | -    | -     | -    | -     | -    | - |
|       | 750  | 11718                         | 0.84 | 10339 | 0.91 | 8453  | 0.93 | 5870  | 0.92 | -     | -    | -     | -    | -     | -    | -     | -    | -     | -    | -     | -    | -     | -    | - |
|       | 775  | 12109                         | 0.93 | 10786 | 1.01 | 9024  | 1.03 | 6609  | 1.02 | -     | -    | -     | -    | -     | -    | -     | -    | -     | -    | -     | -    | -     | -    | - |
| 1 1/2 | 800  | 12500                         | 1.02 | 11228 | 1.10 | 9573  | 1.13 | 7324  | 1.12 | -     | -    | -     | -    | -     | -    | -     | -    | -     | -    | -     | -    | -     | -    | - |
|       | 825  | 12890                         | 1.12 | 11665 | 1.21 | 10106 | 1.24 | 8013  | 1.23 | 5542  | 1.25 | -     | -    | -     | -    | -     | -    | -     | -    | -     | -    | -     | -    | - |
|       | 850  | 13281                         | 1.23 | 12098 | 1.32 | 10624 | 1.35 | 8673  | 1.35 | 6297  | 1.35 | -     | -    | -     | -    | -     | -    | -     | -    | -     | -    | -     | -    | - |
|       | 875  | 13672                         | 1.34 | 12528 | 1.43 | 11129 | 1.47 | 9306  | 1.47 | 7046  | 1.47 | -     | -    | -     | -    | -     | -    | -     | -    | -     | -    | -     | -    | - |
| 2     | 900  | 14062                         | 1.46 | 12956 | 1.55 | 11623 | 1.60 | 9915  | 1.61 | 7779  | 1.59 | 5523  | 1.64 | -     | -    | -     | -    | -     | -    | -     | -    | -     | -    | - |
|       | 925  | 14453                         | 1.58 | 13380 | 1.68 | 12108 | 1.74 | 10502 | 1.75 | 8492  | 1.73 | 6276  | 1.76 | -     | -    | -     | -    | -     | -    | -     | -    | -     | -    | - |
|       | 950  | 14843                         | 1.71 | 13802 | 1.82 | 12585 | 1.88 | 11070 | 1.89 | 9181  | 1.88 | 7031  | 1.89 | 4989  | 1.99 | -     | -    | -     | -    | -     | -    | -     | -    | - |
|       | 975  | 15234                         | 1.85 | 14223 | 1.96 | 13055 | 2.02 | 11621 | 2.05 | 9846  | 2.03 | 7780  | 2.03 | 5725  | 2.11 | -     | -    | -     | -    | -     | -    | -     | -    | - |
| 3     | 1025 | 16015                         | 2.15 | 15057 | 2.27 | 13977 | 2.34 | 12681 | 2.38 | 11106 | 2.37 | 9235  | 2.35 | 7229  | 2.38 | 5357  | 2.50 | -     | -    | -     | -    | -     | -    | - |
|       | 1050 | 16406                         | 2.31 | 15472 | 2.43 | 14430 | 2.51 | 13194 | 2.55 | 11705 | 2.55 | 9934  | 2.53 | 7982  | 2.54 | 6091  | 2.64 | -     | -    | -     | -    | -     | -    | - |
|       | 1100 | 17187                         | 2.66 | 16298 | 2.79 | 15324 | 2.88 | 14191 | 2.93 | 12850 | 2.94 | 11265 | 2.92 | 9462  | 2.91 | 7593  | 2.95 | -     | -    | -     | -    | -     | -    | - |
|       | 1125 | 17578                         | 2.85 | 16709 | 2.98 | 15766 | 3.07 | 14677 | 3.13 | 13401 | 3.14 | 11899 | 3.13 | 10178 | 3.11 | 8347  | 3.13 | 6586  | 3.24 | -     | -    | -     | -    | - |
| 5     | 1175 | 18359                         | 3.24 | 17528 | 3.38 | 16641 | 3.48 | 15630 | 3.55 | 14465 | 3.58 | 13111 | 3.58 | 11554 | 3.55 | 9837  | 3.55 | 8088  | 3.60 | -     | -    | -     | -    | - |
|       | 1225 | 19140                         | 3.67 | 18343 | 3.82 | 17504 | 3.93 | 16561 | 4.01 | 15489 | 4.05 | 14259 | 4.06 | 12850 | 4.04 | 11271 | 4.02 | 9594  | 4.03 | -     | -    | -     | -    | - |
|       | 1275 | 19921                         | 4.14 | 19155 | 4.30 | 18360 | 4.42 | 17475 | 4.50 | 16480 | 4.55 | 15354 | 4.57 | 14075 | 4.57 | 12635 | 4.54 | 11065 | 4.53 | -     | -    | -     | -    | - |
|       | 1325 | 20703                         | 4.65 | 19964 | 4.81 | 19208 | 4.94 | 18373 | 5.03 | 17446 | 5.10 | 16407 | 5.13 | 15238 | 5.13 | 13926 | 5.11 | 12478 | 5.09 | 9384  | 5.14 | -     | -    | - |
| 7 1/2 | 1375 | 21484                         | 5.20 | 20771 | 5.37 | 20049 | 5.50 | 19260 | 5.61 | 18390 | 5.68 | 17426 | 5.72 | 16351 | 5.74 | 15151 | 5.73 | 13823 | 5.70 | 10888 | 5.70 | -     | -    | - |
|       | 1425 | 22265                         | 5.78 | 21576 | 5.96 | 20885 | 6.10 | 20136 | 6.22 | 19316 | 6.30 | 18416 | 6.36 | 17421 | 6.39 | 16319 | 6.38 | 15101 | 6.36 | 12357 | 6.32 | -     | -    | - |
|       | 1475 | 23046                         | 6.42 | 22378 | 6.60 | 21717 | 6.75 | 21003 | 6.87 | 20228 | 6.97 | 19383 | 7.04 | 18457 | 7.07 | 17438 | 7.08 | 16318 | 7.07 | 13774 | 7.02 | 10990 | 7.06 | - |
|       | 1525 | 23827                         | 7.09 | 23179 | 7.28 | 22544 | 7.44 | 21862 | 7.57 | 21127 | 7.68 | 20330 | 7.76 | 19464 | 7.81 | 18517 | 7.83 | 17482 | 7.82 | 15131 | 7.77 | 12484 | 7.76 | - |

Performance certified is for installation type A - free inlet, free outlet.  
 Performance ratings do not include the effects of appurtenances (accessories).  
 Power rating (BHP) does not include transmission losses.

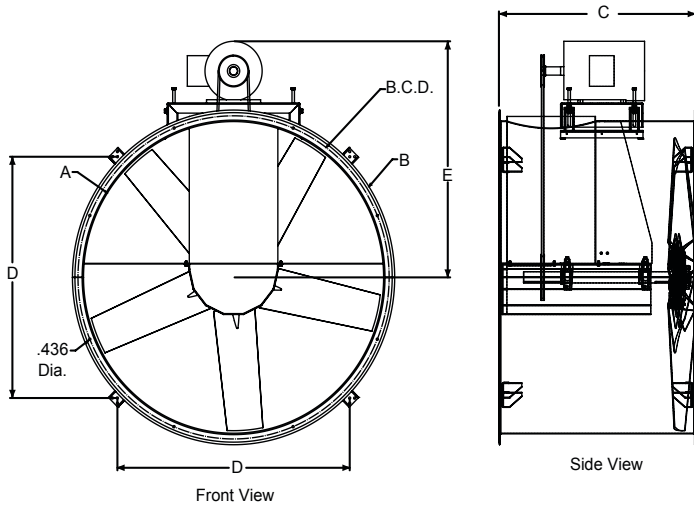


S&P USA Ventilation Systems, LLC., Div. of Soler & Palau Ventilation Group certifies that the Models TDB shown herein are licensed to bear the AMCA Seal. The ratings shown are based on test and procedures performed in accordance with AMCA Publication 211 and AMCA Publication 311 and comply with the requirement of the AMCA Certified Ratings Program.





**Size 36**



**Max. Motor Frame:** 254T  
**Shaft Size:** 1-7/16"  
**Housing Gauge:** 10  
**Approximate Weight:** 410 lbs.  
**Flange Holes:** 8  
**Diameter Flange Holes:** 7/16"  
**Finish:** Epoxy Coated Galvanized



| A      | B      | C  | D        | E  | B.C.D. |
|--------|--------|----|----------|----|--------|
| 36-3/8 | 40-5/8 | 29 | 29-13/16 | 38 | 38     |

A: ID B: OD C: Length E: Max. Height

| HP    | RPM  | Static Pressure (Inches W.G.) |      |       |      |       |      |       |      |       |      |       |      |       |      |       |      |       |      |       |      |       |      |   |  |
|-------|------|-------------------------------|------|-------|------|-------|------|-------|------|-------|------|-------|------|-------|------|-------|------|-------|------|-------|------|-------|------|---|--|
|       |      | 0                             |      | 0.125 |      | 0.25  |      | 0.375 |      | 0.5   |      | 0.625 |      | 0.75  |      | 0.875 |      | 1     |      | 1.125 |      | 1.5   |      |   |  |
|       |      | CFM                           | BHP  | CFM   | BHP  | CFM   | BHP  | CFM   | BHP  | CFM   | BHP  | CFM   | BHP  | CFM   | BHP  | CFM   | BHP  | CFM   | BHP  | CFM   | BHP  | CFM   | BHP  |   |  |
| 3/4   | 650  | 10196                         | 0.41 | 8534  | 0.49 | -     | -    | -     | -    | -     | -    | -     | -    | -     | -    | -     | -    | -     | -    | -     | -    | -     | -    | - |  |
|       | 675  | 10588                         | 0.46 | 8997  | 0.54 | 6993  | 0.59 | -     | -    | -     | -    | -     | -    | -     | -    | -     | -    | -     | -    | -     | -    | -     | -    | - |  |
|       | 700  | 10980                         | 0.52 | 9454  | 0.60 | 7598  | 0.66 | -     | -    | -     | -    | -     | -    | -     | -    | -     | -    | -     | -    | -     | -    | -     | -    | - |  |
|       | 725  | 11372                         | 0.57 | 9905  | 0.66 | 8170  | 0.72 | -     | -    | -     | -    | -     | -    | -     | -    | -     | -    | -     | -    | -     | -    | -     | -    | - |  |
| 1     | 750  | 11764                         | 0.63 | 10352 | 0.73 | 8717  | 0.79 | 6390  | 0.81 | -     | -    | -     | -    | -     | -    | -     | -    | -     | -    | -     | -    | -     | -    | - |  |
|       | 775  | 12156                         | 0.70 | 10794 | 0.80 | 9245  | 0.87 | 7169  | 0.90 | -     | -    | -     | -    | -     | -    | -     | -    | -     | -    | -     | -    | -     | -    | - |  |
|       | 800  | 12549                         | 0.77 | 11233 | 0.87 | 9758  | 0.95 | 7872  | 0.99 | -     | -    | -     | -    | -     | -    | -     | -    | -     | -    | -     | -    | -     | -    | - |  |
|       | 825  | 12941                         | 0.84 | 11668 | 0.95 | 10259 | 1.03 | 8521  | 1.08 | 5878  | 1.08 | -     | -    | -     | -    | -     | -    | -     | -    | -     | -    | -     | -    | - |  |
| 1 1/2 | 875  | 13725                         | 1.01 | 12531 | 1.12 | 11232 | 1.21 | 9714  | 1.27 | 7669  | 1.29 | -     | -    | -     | -    | -     | -    | -     | -    | -     | -    | -     | -    | - |  |
|       | 900  | 14117                         | 1.10 | 12958 | 1.21 | 11707 | 1.31 | 10273 | 1.38 | 8427  | 1.41 | -     | -    | -     | -    | -     | -    | -     | -    | -     | -    | -     | -    | - |  |
|       | 925  | 14509                         | 1.19 | 13384 | 1.31 | 12176 | 1.41 | 10814 | 1.49 | 9123  | 1.53 | -     | -    | -     | -    | -     | -    | -     | -    | -     | -    | -     | -    | - |  |
|       | 950  | 14901                         | 1.29 | 13808 | 1.41 | 12639 | 1.52 | 11340 | 1.60 | 9773  | 1.65 | 7623  | 1.65 | -     | -    | -     | -    | -     | -    | -     | -    | -     | -    | - |  |
| 2     | 975  | 15294                         | 1.39 | 14230 | 1.52 | 13098 | 1.63 | 11854 | 1.72 | 10390 | 1.78 | 8470  | 1.79 | -     | -    | -     | -    | -     | -    | -     | -    | -     | -    | - |  |
|       | 1000 | 15686                         | 1.50 | 14650 | 1.64 | 13552 | 1.75 | 12358 | 1.84 | 10979 | 1.91 | 9239  | 1.93 | -     | -    | -     | -    | -     | -    | -     | -    | -     | -    | - |  |
|       | 1025 | 16078                         | 1.62 | 15070 | 1.76 | 14003 | 1.88 | 12852 | 1.97 | 11547 | 2.04 | 9950  | 2.08 | 7772  | 2.07 | -     | -    | -     | -    | -     | -    | -     | -    | - |  |
|       | 1050 | 16470                         | 1.74 | 15487 | 1.88 | 14450 | 2.00 | 13340 | 2.11 | 12097 | 2.18 | 10617 | 2.23 | 8677  | 2.23 | 6015  | 2.21 | -     | -    | -     | -    | -     | -    | - |  |
| 3     | 1100 | 17254                         | 2.00 | 16319 | 2.15 | 15335 | 2.28 | 14295 | 2.39 | 13157 | 2.48 | 11853 | 2.55 | 10255 | 2.57 | 8119  | 2.55 | -     | -    | -     | -    | -     | -    | - |  |
|       | 1125 | 17646                         | 2.14 | 16734 | 2.29 | 15774 | 2.43 | 14765 | 2.55 | 13671 | 2.64 | 12435 | 2.71 | 10959 | 2.75 | 9053  | 2.74 | -     | -    | -     | -    | -     | -    | - |  |
|       | 1150 | 18039                         | 2.29 | 17147 | 2.44 | 16210 | 2.58 | 15230 | 2.70 | 14175 | 2.81 | 12999 | 2.88 | 11624 | 2.93 | 9904  | 2.94 | -     | -    | -     | -    | -     | -    | - |  |
|       | 1175 | 18431                         | 2.44 | 17560 | 2.60 | 16644 | 2.74 | 15691 | 2.87 | 14672 | 2.98 | 13548 | 3.06 | 12258 | 3.11 | 10687 | 3.13 | 8642  | 3.11 | -     | -    | -     | -    | - |  |
| 5     | 1225 | 19215                         | 2.77 | 18382 | 2.93 | 17507 | 3.08 | 16602 | 3.22 | 15646 | 3.34 | 14610 | 3.43 | 13452 | 3.50 | 12104 | 3.54 | 10443 | 3.55 | -     | -    | -     | -    | - |  |
|       | 1275 | 19999                         | 3.12 | 19202 | 3.29 | 18364 | 3.45 | 17501 | 3.60 | 16598 | 3.72 | 15633 | 3.83 | 14577 | 3.92 | 13384 | 3.98 | 11981 | 4.00 | 8060  | 3.96 | -     | -    | - |  |
|       | 1350 | 21176                         | 3.70 | 20426 | 3.88 | 19637 | 4.06 | 18830 | 4.22 | 17994 | 4.36 | 17114 | 4.48 | 16172 | 4.59 | 15142 | 4.67 | 13985 | 4.73 | 11010 | 4.74 | -     | -    | - |  |
|       | 1400 | 21960                         | 4.13 | 21240 | 4.32 | 20480 | 4.50 | 19706 | 4.67 | 18908 | 4.82 | 18074 | 4.95 | 17191 | 5.07 | 16241 | 5.17 | 15196 | 5.24 | 12640 | 5.30 | -     | -    | - |  |
| 7 1/2 | 1450 | 22744                         | 4.59 | 22051 | 4.78 | 21319 | 4.97 | 20574 | 5.15 | 19810 | 5.31 | 19017 | 5.45 | 18185 | 5.58 | 17298 | 5.69 | 16339 | 5.78 | 14084 | 5.88 | -     | -    | - |  |
|       | 1500 | 23529                         | 5.08 | 22861 | 5.28 | 22154 | 5.48 | 21437 | 5.66 | 20703 | 5.83 | 19946 | 5.99 | 19156 | 6.13 | 18323 | 6.25 | 17434 | 6.35 | 15400 | 6.49 | 12780 | 6.51 | - |  |
|       | 1550 | 24313                         | 5.60 | 23669 | 5.81 | 22985 | 6.02 | 22293 | 6.21 | 21588 | 6.39 | 20862 | 6.55 | 20110 | 6.70 | 19323 | 6.84 | 18490 | 6.95 | 16628 | 7.13 | 14337 | 7.19 | - |  |
|       | 1600 | 25097                         | 6.16 | 24476 | 6.38 | 23814 | 6.59 | 23145 | 6.79 | 22465 | 6.98 | 21768 | 7.15 | 21049 | 7.31 | 20301 | 7.46 | 19516 | 7.59 | 17792 | 7.79 | 15743 | 7.90 | - |  |

Performance certified is for installation type A - free inlet, free outlet.  
 Performance ratings do not include the effects of appurtenances (accessories).  
 Power rating (BHP) does not include transmission losses.

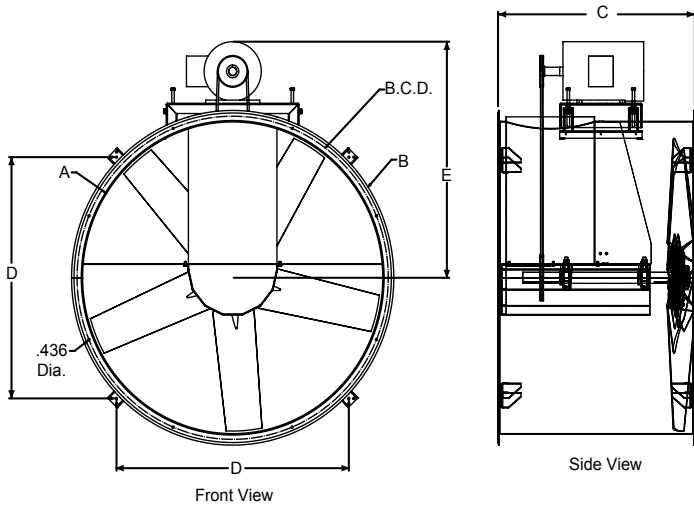


S&P USA Ventilation Systems, LLC., Div. of Soler & Palau Ventilation Group certifies that the Models TDB shown herein are licensed to bear the AMCA Seal. The ratings shown are based on test and procedures performed in accordance with AMCA Publication 211 and AMCA Publication 311 and comply with the requirement of the AMCA Certified Ratings Program.





**Size 42**



**Max. Motor Frame:** 254T  
**Shaft Size:** 1-7/16"  
**Housing Gauge:** 10  
**Approximate Weight:** 480 lbs.  
**Flange Holes:** 8  
**Diameter Flange Holes:** 7/16"  
**Finish:** Epoxy Coated  
 Galvanized

| A      | B  | C  | D      | E  | B.C.D. |
|--------|----|----|--------|----|--------|
| 42-1/2 | 47 | 30 | 34-1/8 | 42 | 44-1/4 |

A: ID B: OD C: Length E: Max. Height

| HP    | RPM  | Static Pressure (Inches W.G.) |      |       |      |       |      |       |      |       |      |       |       |       |       |       |       |       |       |       |       |       |       |   |   |
|-------|------|-------------------------------|------|-------|------|-------|------|-------|------|-------|------|-------|-------|-------|-------|-------|-------|-------|-------|-------|-------|-------|-------|---|---|
|       |      | 0                             |      | 0.125 |      | 0.25  |      | 0.375 |      | 0.5   |      | 0.625 |       | 0.75  |       | 0.875 |       | 1     |       | 1.25  |       | 1.5   |       |   |   |
|       |      | CFM                           | BHP  | CFM   | BHP  | CFM   | BHP  | CFM   | BHP  | CFM   | BHP  | CFM   | BHP   | CFM   | BHP   | CFM   | BHP   | CFM   | BHP   | CFM   | BHP   | CFM   | BHP   |   |   |
| 1     | 480  | 11943                         | 0.45 | 9569  | 0.52 | -     | -    | -     | -    | -     | -    | -     | -     | -     | -     | -     | -     | -     | -     | -     | -     | -     | -     | - |   |
|       | 520  | 12939                         | 0.57 | 10805 | 0.66 | 7231  | 0.68 | -     | -    | -     | -    | -     | -     | -     | -     | -     | -     | -     | -     | -     | -     | -     | -     | - |   |
|       | 560  | 13934                         | 0.71 | 11987 | 0.81 | 9272  | 0.85 | -     | -    | -     | -    | -     | -     | -     | -     | -     | -     | -     | -     | -     | -     | -     | -     | - |   |
|       | 600  | 14929                         | 0.88 | 13134 | 0.98 | 10859 | 1.04 | -     | -    | -     | -    | -     | -     | -     | -     | -     | -     | -     | -     | -     | -     | -     | -     | - |   |
| 1 1/2 | 640  | 15924                         | 1.06 | 14256 | 1.18 | 12264 | 1.25 | 9049  | 1.26 | -     | -    | -     | -     | -     | -     | -     | -     | -     | -     | -     | -     | -     | -     | - |   |
|       | 660  | 16422                         | 1.17 | 14810 | 1.29 | 12926 | 1.36 | 10151 | 1.39 | -     | -    | -     | -     | -     | -     | -     | -     | -     | -     | -     | -     | -     | -     | - |   |
|       | 680  | 16920                         | 1.28 | 15359 | 1.40 | 13569 | 1.49 | 11098 | 1.52 | -     | -    | -     | -     | -     | -     | -     | -     | -     | -     | -     | -     | -     | -     | - |   |
|       | 700  | 17417                         | 1.39 | 15905 | 1.52 | 14198 | 1.61 | 11951 | 1.66 | -     | -    | -     | -     | -     | -     | -     | -     | -     | -     | -     | -     | -     | -     | - |   |
| 2     | 720  | 17915                         | 1.51 | 16448 | 1.65 | 14813 | 1.75 | 12742 | 1.80 | 9165  | 1.79 | -     | -     | -     | -     | -     | -     | -     | -     | -     | -     | -     | -     | - |   |
|       | 740  | 18412                         | 1.64 | 16987 | 1.78 | 15419 | 1.89 | 13489 | 1.95 | 10509 | 1.96 | -     | -     | -     | -     | -     | -     | -     | -     | -     | -     | -     | -     | - |   |
|       | 760  | 18910                         | 1.78 | 17525 | 1.93 | 16015 | 2.03 | 14202 | 2.10 | 11615 | 2.12 | -     | -     | -     | -     | -     | -     | -     | -     | -     | -     | -     | -     | - |   |
| 3     | 800  | 19905                         | 2.08 | 18592 | 2.23 | 17186 | 2.35 | 15558 | 2.43 | 13456 | 2.48 | -     | -     | -     | -     | -     | -     | -     | -     | -     | -     | -     | -     | - |   |
|       | 820  | 20403                         | 2.24 | 19123 | 2.40 | 17762 | 2.52 | 16209 | 2.61 | 14270 | 2.66 | 11293 | 2.66  | -     | -     | -     | -     | -     | -     | -     | -     | -     | -     | - |   |
|       | 840  | 20901                         | 2.40 | 19652 | 2.57 | 18333 | 2.70 | 16846 | 2.80 | 15040 | 2.86 | 12473 | 2.86  | -     | -     | -     | -     | -     | -     | -     | -     | -     | -     | - |   |
|       | 860  | 21398                         | 2.58 | 20179 | 2.75 | 18899 | 2.88 | 17472 | 2.99 | 15775 | 3.06 | 13498 | 3.08  | -     | -     | -     | -     | -     | -     | -     | -     | -     | -     | - |   |
| 5     | 900  | 22394                         | 2.96 | 21229 | 3.14 | 20019 | 3.28 | 18694 | 3.40 | 17171 | 3.48 | 15277 | 3.52  | 12482 | 3.51  | -     | -     | -     | -     | -     | -     | -     | -     | - | - |
|       | 940  | 23389                         | 3.37 | 22274 | 3.56 | 21126 | 3.71 | 19886 | 3.84 | 18495 | 3.94 | 16847 | 4.00  | 14685 | 4.02  | 11117 | 3.98  | -     | -     | -     | -     | -     | -     | - |   |
|       | 980  | 24384                         | 3.82 | 23314 | 4.02 | 22222 | 4.18 | 21054 | 4.32 | 19768 | 4.43 | 18294 | 4.51  | 16489 | 4.55  | 13967 | 4.54  | -     | -     | -     | -     | -     | -     | - |   |
|       | 1020 | 25379                         | 4.30 | 24351 | 4.51 | 23308 | 4.69 | 22203 | 4.84 | 21003 | 4.96 | 19661 | 5.06  | 18087 | 5.12  | 16088 | 5.14  | -     | -     | -     | -     | -     | -     | - |   |
| 7 1/2 | 1060 | 26375                         | 4.83 | 25384 | 5.05 | 24386 | 5.24 | 23336 | 5.40 | 22209 | 5.53 | 20970 | 5.64  | 19562 | 5.72  | 17872 | 5.76  | 15639 | 5.75  | -     | -     | -     | -     | - |   |
|       | 1100 | 27370                         | 5.40 | 26415 | 5.63 | 25457 | 5.82 | 24456 | 5.99 | 23391 | 6.14 | 22237 | 6.26  | 20953 | 6.36  | 19471 | 6.42  | 17649 | 6.44  | -     | -     | -     | -     | - |   |
|       | 1140 | 28365                         | 6.01 | 27442 | 6.25 | 26522 | 6.45 | 25564 | 6.63 | 24554 | 6.79 | 23470 | 6.93  | 22285 | 7.04  | 20953 | 7.12  | 19389 | 7.16  | -     | -     | -     | -     | - |   |
| 10    | 1180 | 29360                         | 6.66 | 28468 | 6.91 | 27582 | 7.13 | 26663 | 7.32 | 25700 | 7.49 | 24677 | 7.64  | 23573 | 7.76  | 22355 | 7.86  | 20969 | 7.92  | -     | -     | -     | -     | - |   |
|       | 1200 | 29858                         | 7.01 | 28979 | 7.26 | 28110 | 7.48 | 27210 | 7.68 | 26268 | 7.85 | 25273 | 8.01  | 24203 | 8.14  | 23033 | 8.24  | 21718 | 8.32  | 18279 | 8.36  | -     | -     | - |   |
|       | 1240 | 30853                         | 7.73 | 30002 | 8.00 | 29162 | 8.23 | 28297 | 8.43 | 27396 | 8.62 | 26449 | 8.78  | 25441 | 8.93  | 24353 | 9.05  | 23154 | 9.14  | 20195 | 9.23  | -     | -     | - |   |
|       | 1260 | 31351                         | 8.11 | 30512 | 8.38 | 29687 | 8.61 | 28837 | 8.83 | 27955 | 9.02 | 27031 | 9.19  | 26051 | 9.34  | 24998 | 9.47  | 23848 | 9.57  | 21068 | 9.68  | -     | -     | - |   |
|       | 1300 | 32346                         | 8.91 | 31532 | 9.19 | 30734 | 9.43 | 29915 | 9.66 | 29067 | 9.86 | 28183 | 10.04 | 27253 | 10.20 | 26263 | 10.34 | 25195 | 10.46 | 22700 | 10.61 | 19251 | 10.62 | - |   |

Performance certified is for installation type A - free inlet, free outlet.  
 Performance ratings do not include the effects of appurtenances (accessories).  
 Power rating (BHP) does not include transmission losses.

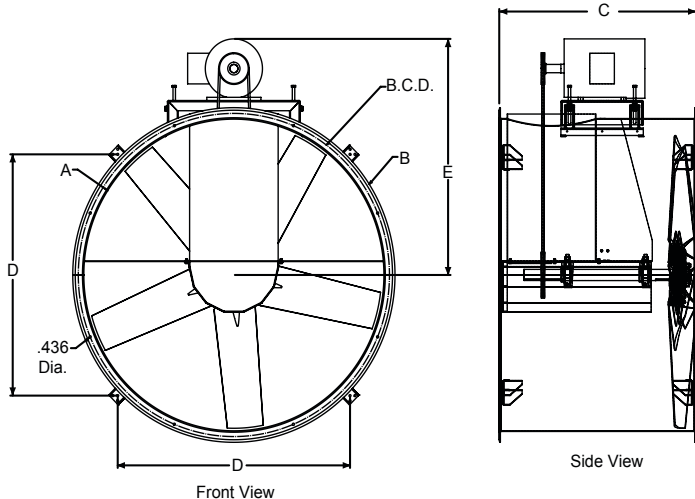


S&P USA Ventilation Systems, LLC., Div. of Soler & Palau Ventilation Group certifies that the Models TDB shown herein are licensed to bear the AMCA Seal. The ratings shown are based on test and procedures performed in accordance with AMCA Publication 211 and AMCA Publication 311 and comply with the requirement of the AMCA Certified Ratings Program.





**Size 48**



**Max. Motor Frame:** 284T  
**Shaft Size:** 1-7/16"  
**Housing Gauge:** 10  
**Approximate Weight:** 600 lbs.  
**Flange Holes:** 8  
**Diameter Flange Holes:** 7/16"  
**Finish:** Epoxy Coated Galvanized

| A      | B  | C  | D      | E  | B.C.D. |
|--------|----|----|--------|----|--------|
| 48-1/2 | 53 | 33 | 38-3/8 | 45 | 50-3/4 |

A: ID B: OD C: Length E: Max. Height

| HP    | RPM  | Static Pressure (Inches W.G.) |      |       |      |       |      |       |      |       |      |       |      |       |      |       |       |       |       |       |       |       |       |   |  |
|-------|------|-------------------------------|------|-------|------|-------|------|-------|------|-------|------|-------|------|-------|------|-------|-------|-------|-------|-------|-------|-------|-------|---|--|
|       |      | 0                             |      | 0.125 |      | 0.25  |      | 0.375 |      | 0.5   |      | 0.625 |      | 0.75  |      | 0.875 |       | 1     |       | 1.125 |       | 1.25  |       |   |  |
|       |      | CFM                           | BHP  | CFM   | BHP  | CFM   | BHP  | CFM   | BHP  | CFM   | BHP  | CFM   | BHP  | CFM   | BHP  | CFM   | BHP   | CFM   | BHP   | CFM   | BHP   | CFM   | BHP   |   |  |
| 1 1/2 | 460  | 17884                         | 0.76 | 15363 | 0.93 | 11881 | 1.03 | -     | -    | -     | -    | -     | -    | -     | -    | -     | -     | -     | -     | -     | -     | -     | -     | - |  |
|       | 480  | 18662                         | 0.87 | 16265 | 1.04 | 13143 | 1.16 | -     | -    | -     | -    | -     | -    | -     | -    | -     | -     | -     | -     | -     | -     | -     | -     | - |  |
|       | 500  | 19439                         | 0.98 | 17153 | 1.17 | 14304 | 1.30 | -     | -    | -     | -    | -     | -    | -     | -    | -     | -     | -     | -     | -     | -     | -     | -     | - |  |
|       | 520  | 20217                         | 1.10 | 18030 | 1.30 | 15397 | 1.44 | 11234 | 1.51 | -     | -    | -     | -    | -     | -    | -     | -     | -     | -     | -     | -     | -     | -     | - |  |
| 2     | 540  | 20995                         | 1.23 | 18898 | 1.44 | 16441 | 1.59 | 12890 | 1.68 | -     | -    | -     | -    | -     | -    | -     | -     | -     | -     | -     | -     | -     | -     | - |  |
|       | 560  | 21772                         | 1.38 | 19758 | 1.59 | 17448 | 1.76 | 14324 | 1.86 | -     | -    | -     | -    | -     | -    | -     | -     | -     | -     | -     | -     | -     | -     | - |  |
|       | 580  | 22550                         | 1.53 | 20610 | 1.75 | 18427 | 1.93 | 15616 | 2.05 | 10970 | 2.10 | -     | -    | -     | -    | -     | -     | -     | -     | -     | -     | -     | -     | - |  |
|       | 600  | 23327                         | 1.69 | 21457 | 1.93 | 19384 | 2.11 | 16813 | 2.25 | 12932 | 2.32 | -     | -    | -     | -    | -     | -     | -     | -     | -     | -     | -     | -     | - |  |
| 3     | 620  | 24105                         | 1.87 | 22299 | 2.11 | 20322 | 2.31 | 17943 | 2.46 | 14611 | 2.55 | -     | -    | -     | -    | -     | -     | -     | -     | -     | -     | -     | -     | - |  |
|       | 640  | 24882                         | 2.05 | 23135 | 2.31 | 21245 | 2.51 | 19024 | 2.68 | 16085 | 2.79 | -     | -    | -     | -    | -     | -     | -     | -     | -     | -     | -     | -     | - |  |
|       | 660  | 25660                         | 2.25 | 23968 | 2.51 | 22156 | 2.73 | 20066 | 2.91 | 17420 | 3.04 | 13439 | 3.09 | -     | -    | -     | -     | -     | -     | -     | -     | -     | -     | - |  |
|       | 680  | 26438                         | 2.46 | 24797 | 2.73 | 23055 | 2.96 | 21078 | 3.15 | 18658 | 3.29 | 15263 | 3.37 | 10161 | 3.44 | -     | -     | -     | -     | -     | -     | -     | -     | - |  |
| 5     | 720  | 27993                         | 2.92 | 26445 | 3.21 | 24826 | 3.46 | 23033 | 3.68 | 20944 | 3.85 | 18291 | 3.96 | 14426 | 4.02 | -     | -     | -     | -     | -     | -     | -     | -     | - |  |
|       | 760  | 29548                         | 3.44 | 28083 | 3.75 | 26567 | 4.01 | 24920 | 4.25 | 23062 | 4.45 | 20845 | 4.60 | 17946 | 4.69 | 13734 | 4.74  | -     | -     | -     | -     | -     | -     | - |  |
|       | 780  | 30325                         | 3.72 | 28898 | 4.03 | 27429 | 4.31 | 25844 | 4.56 | 24078 | 4.77 | 22017 | 4.94 | 19430 | 5.05 | 15811 | 5.10  | -     | -     | -     | -     | -     | -     | - |  |
|       | 820  | 31881                         | 4.32 | 30522 | 4.65 | 29137 | 4.95 | 27661 | 5.22 | 26049 | 5.45 | 24228 | 5.65 | 22069 | 5.80 | 19314 | 5.90  | 15488 | 5.94  | 11164 | 6.11  | -     | -     | - |  |
| 7 1/2 | 860  | 33436                         | 4.98 | 32140 | 5.34 | 30828 | 5.65 | 29444 | 5.94 | 27954 | 6.20 | 26311 | 6.42 | 24436 | 6.60 | 22188 | 6.74  | 19294 | 6.82  | 15382 | 6.87  | 11358 | 7.08  | - |  |
|       | 880  | 34213                         | 5.34 | 32946 | 5.70 | 31669 | 6.03 | 30325 | 6.32 | 28888 | 6.59 | 27318 | 6.83 | 25551 | 7.03 | 23482 | 7.18  | 20910 | 7.28  | 17486 | 7.33  | 13339 | 7.45  |   |  |
|       | 900  | 34991                         | 5.71 | 33751 | 6.08 | 32506 | 6.42 | 31200 | 6.73 | 29812 | 7.00 | 28306 | 7.25 | 26633 | 7.47 | 24709 | 7.64  | 22388 | 7.76  | 19398 | 7.83  | 15502 | 7.89  |   |  |
|       | 940  | 36546                         | 6.51 | 35357 | 6.90 | 34171 | 7.25 | 32935 | 7.58 | 31632 | 7.88 | 30237 | 8.15 | 28716 | 8.39 | 27017 | 8.59  | 25055 | 8.76  | 22682 | 8.87  | 19643 | 8.93  |   |  |
| 10    | 960  | 37324                         | 6.93 | 36159 | 7.33 | 34999 | 7.69 | 33795 | 8.03 | 32530 | 8.34 | 31183 | 8.62 | 29726 | 8.88 | 28116 | 9.10  | 26287 | 9.27  | 24127 | 9.41  | 21443 | 9.49  |   |  |
|       | 980  | 38101                         | 7.37 | 36959 | 7.78 | 35826 | 8.15 | 34651 | 8.50 | 33421 | 8.82 | 32118 | 9.12 | 30718 | 9.38 | 29185 | 9.61  | 27468 | 9.81  | 25480 | 9.96  | 23078 | 10.07 |   |  |
|       | 1000 | 38879                         | 7.83 | 37759 | 8.25 | 36650 | 8.63 | 35503 | 8.99 | 34307 | 9.32 | 33044 | 9.63 | 31695 | 9.90 | 30231 | 10.15 | 28608 | 10.36 | 26762 | 10.53 | 24583 | 10.66 |   |  |

Performance certified is for installation type A - free inlet, free outlet.  
 Performance ratings do not include the effects of appurtenances (accessories).  
 Power rating (BHP) does not include transmission losses.



S&P USA Ventilation Systems, LLC., Div. of Soler & Palau Ventilation Group certifies that the Models TDB shown herein are licensed to bear the AMCA Seal. The ratings shown are based on test and procedures performed in accordance with AMCA Publication 211 and AMCA Publication 311 and comply with the requirement of the AMCA Certified Ratings Program.

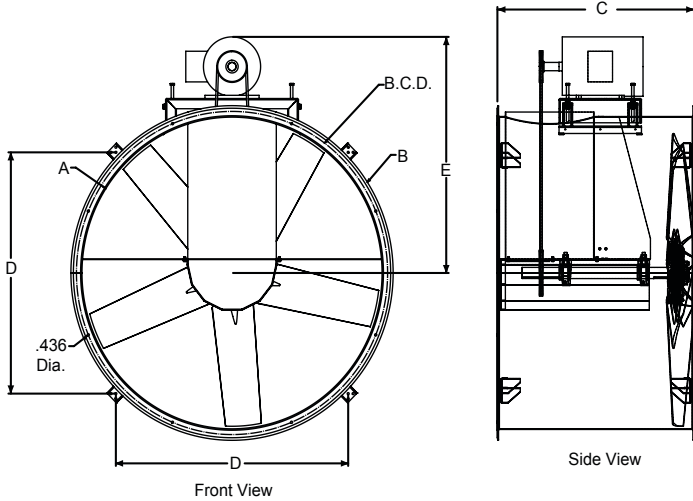




**MODEL TDB**  
BELT DRIVE TUBEAXIAL DUCT FAN



**Size 54**



|                               |                            |
|-------------------------------|----------------------------|
| <b>Max. Motor Frame:</b>      | 284T                       |
| <b>Shaft Size:</b>            | 2-3/16"                    |
| <b>Housing Gauge:</b>         | 10                         |
| <b>Approximate Weight:</b>    | 730 lbs.                   |
| <b>Flange Holes:</b>          | 8                          |
| <b>Diameter Flange Holes:</b> | 7/16"                      |
| <b>Finish:</b>                | Epoxy Coated<br>Galvanized |

| A  | B      | C  | D  | E  | B.C.D. |
|----|--------|----|----|----|--------|
| 55 | 59-1/2 | 38 | 43 | 48 | 57-1/4 |

A: ID B: OD C: Length E: Max. Height

| HP    | RPM | Static Pressure (Inches W.G.) |       |       |       |       |       |       |       |       |       |       |       |       |       |       |       |       |       |       |       |       |       |
|-------|-----|-------------------------------|-------|-------|-------|-------|-------|-------|-------|-------|-------|-------|-------|-------|-------|-------|-------|-------|-------|-------|-------|-------|-------|
|       |     | 0                             |       | 0.125 |       | 0.25  |       | 0.375 |       | 0.5   |       | 0.625 |       | 0.75  |       | 0.875 |       | 1     |       | 1.125 |       | 1.25  |       |
|       |     | CFM                           | BHP   | CFM   | BHP   | CFM   | BHP   | CFM   | BHP   | CFM   | BHP   | CFM   | BHP   | CFM   | BHP   | CFM   | BHP   | CFM   | BHP   | CFM   | BHP   | CFM   | BHP   |
| 3     | 460 | 29774                         | 1.94  | 26461 | 2.06  | 21377 | 2.04  | -     | -     | -     | -     | -     | -     | -     | -     | -     | -     | -     | -     | -     | -     | -     | -     |
|       | 480 | 31068                         | 2.20  | 27937 | 2.33  | 23415 | 2.33  | -     | -     | -     | -     | -     | -     | -     | -     | -     | -     | -     | -     | -     | -     | -     | -     |
|       | 500 | 32363                         | 2.49  | 29392 | 2.63  | 25300 | 2.64  | 18049 | 2.56  | -     | -     | -     | -     | -     | -     | -     | -     | -     | -     | -     | -     | -     | -     |
|       | 520 | 33657                         | 2.80  | 30829 | 2.95  | 27081 | 2.98  | 20981 | 2.89  | -     | -     | -     | -     | -     | -     | -     | -     | -     | -     | -     | -     | -     | -     |
| 5     | 560 | 36246                         | 3.50  | 33660 | 3.67  | 30429 | 3.73  | 25818 | 3.67  | -     | -     | -     | -     | -     | -     | -     | -     | -     | -     | -     | -     | -     | -     |
|       | 580 | 37541                         | 3.89  | 35060 | 4.07  | 32028 | 4.14  | 27898 | 4.10  | -     | -     | -     | -     | -     | -     | -     | -     | -     | -     | -     | -     | -     | -     |
|       | 600 | 38835                         | 4.30  | 36450 | 4.49  | 33592 | 4.58  | 29839 | 4.56  | 24166 | 4.44  | -     | -     | -     | -     | -     | -     | -     | -     | -     | -     | -     | -     |
|       | 620 | 40130                         | 4.75  | 37832 | 4.95  | 35126 | 5.05  | 31677 | 5.05  | 26754 | 4.94  | -     | -     | -     | -     | -     | -     | -     | -     | -     | -     | -     | -     |
| 7 1/2 | 660 | 42719                         | 5.72  | 40577 | 5.94  | 38124 | 6.07  | 35139 | 6.10  | 31225 | 6.03  | 25491 | 5.90  | -     | -     | -     | -     | -     | -     | -     | -     | -     | -     |
|       | 680 | 44013                         | 6.26  | 41940 | 6.49  | 39596 | 6.63  | 36791 | 6.68  | 33228 | 6.62  | 28247 | 6.49  | -     | -     | -     | -     | -     | -     | -     | -     | -     | -     |
|       | 700 | 45308                         | 6.83  | 43299 | 7.07  | 41052 | 7.22  | 38405 | 7.28  | 35126 | 7.25  | 30732 | 7.12  | -     | -     | -     | -     | -     | -     | -     | -     | -     | -     |
|       | 720 | 46602                         | 7.43  | 44654 | 7.68  | 42495 | 7.84  | 39986 | 7.92  | 36943 | 7.91  | 33009 | 7.80  | 27485 | 7.66  | -     | -     | -     | -     | -     | -     | -     | -     |
| 10    | 740 | 47897                         | 8.07  | 46005 | 8.33  | 43927 | 8.50  | 41539 | 8.59  | 38697 | 8.60  | 35127 | 8.50  | 30295 | 8.35  | -     | -     | -     | -     | -     | -     | -     | -     |
|       | 760 | 49191                         | 8.74  | 47352 | 9.01  | 45349 | 9.19  | 43070 | 9.30  | 40399 | 9.32  | 37124 | 9.25  | 32847 | 9.10  | -     | -     | -     | -     | -     | -     | -     | -     |
|       | 780 | 50486                         | 9.45  | 48696 | 9.72  | 46762 | 9.92  | 44581 | 10.04 | 42058 | 10.08 | 39028 | 10.03 | 35190 | 9.89  | 30027 | 9.74  | -     | -     | -     | -     | -     | -     |
|       | 800 | 51780                         | 10.20 | 50038 | 10.48 | 48167 | 10.69 | 46075 | 10.82 | 43682 | 10.88 | 40858 | 10.84 | 37372 | 10.72 | 32817 | 10.55 | -     | -     | -     | -     | -     | -     |
| 15    | 840 | 54369                         | 11.80 | 52712 | 12.11 | 50956 | 12.33 | 49019 | 12.49 | 46844 | 12.58 | 44347 | 12.58 | 41388 | 12.50 | 37727 | 12.34 | 32986 | 12.17 | -     | -     | -     | -     |
|       | 860 | 55664                         | 12.67 | 54046 | 12.98 | 52342 | 13.22 | 50472 | 13.39 | 48391 | 13.49 | 46026 | 13.51 | 43268 | 13.45 | 39931 | 13.31 | 35711 | 13.12 | 30312 | 13.04 | -     | -     |
|       | 880 | 56958                         | 13.57 | 55378 | 13.89 | 53722 | 14.14 | 51915 | 14.32 | 49918 | 14.44 | 47670 | 14.48 | 45084 | 14.43 | 42014 | 14.31 | 38223 | 14.13 | 33394 | 13.98 | -     | -     |
|       | 900 | 58253                         | 14.52 | 56708 | 14.85 | 55098 | 15.11 | 53349 | 15.30 | 51428 | 15.43 | 49285 | 15.48 | 46847 | 15.46 | 44000 | 15.36 | 40559 | 15.19 | 36250 | 15.00 | 30906 | 14.96 |

Performance certified is for installation type A - free inlet, free outlet.  
Performance ratings do not include the effects of appurtenances (accessories).  
Power rating (BHP) does not include transmission losses.



S&P USA Ventilation Systems, LLC., Div. of Soler & Palau Ventilation Group certifies that the Models TDB shown herein are licensed to bear the AMCA Seal. The ratings shown are based on test and procedures performed in accordance with AMCA Publication 211 and AMCA Publication 311 and comply with the requirement of the AMCA Certified Ratings Program.

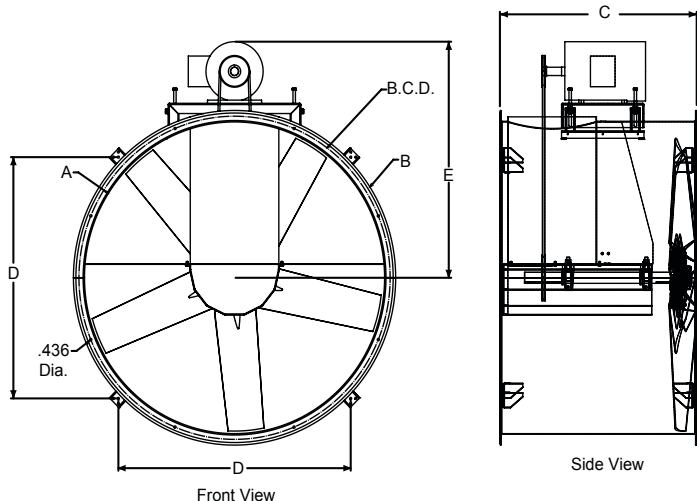




**MODEL TDB**  
BELT DRIVE TUBEAXIAL DUCT FAN



**Size 60**



**Max. Motor Frame:** 286T  
**Shaft Size:** 2-3/16"  
**Housing Gauge:** 10  
**Approximate Weight:** 798 lbs.  
**Flange Holes:** 8  
**Diameter Flange Holes:** 7/16"  
**Finish:** Epoxy Coated Galvanized



| A | B | C | D | E | B.C.D. |
|---|---|---|---|---|--------|
|---|---|---|---|---|--------|

61 65-1/2 40 47-1/4 54-1/2 63-1/4

A: ID B: OD C: Length E: Max. Height

| HP    | RPM | Static Pressure (Inches W.G.) |       |       |       |       |       |       |       |       |       |       |       |       |       |       |       |       |       |       |       |
|-------|-----|-------------------------------|-------|-------|-------|-------|-------|-------|-------|-------|-------|-------|-------|-------|-------|-------|-------|-------|-------|-------|-------|
|       |     | 0                             |       | 0.125 |       | 0.25  |       | 0.375 |       | 0.5   |       | 0.625 |       | 0.75  |       | 0.875 |       | 1     |       | 1.125 |       |
|       |     | CFM                           | BHP   | CFM   | BHP   | CFM   | BHP   | CFM   | BHP   | CFM   | BHP   | CFM   | BHP   | CFM   | BHP   | CFM   | BHP   | CFM   | BHP   | CFM   | BHP   |
| 5     | 520 | 43617                         | 3.47  | 40228 | 3.71  | 36159 | 3.81  | 30434 | 3.76  | -     | -     | -     | -     | -     | -     | -     | -     | -     | -     | -     | -     |
|       | 540 | 45294                         | 3.89  | 42045 | 4.14  | 38237 | 4.26  | 33147 | 4.24  | -     | -     | -     | -     | -     | -     | -     | -     | -     | -     | -     | -     |
|       | 560 | 46972                         | 4.34  | 43850 | 4.60  | 40265 | 4.74  | 35660 | 4.75  | 28680 | 4.62  | -     | -     | -     | -     | -     | -     | -     | -     | -     | -     |
|       | 580 | 48649                         | 4.82  | 45643 | 5.10  | 42254 | 5.26  | 38031 | 5.29  | 32080 | 5.18  | -     | -     | -     | -     | -     | -     | -     | -     | -     | -     |
| 7 1/2 | 600 | 50327                         | 5.33  | 47427 | 5.63  | 44209 | 5.80  | 40299 | 5.86  | 35079 | 5.78  | 26748 | 5.63  | -     | -     | -     | -     | -     | -     | -     | -     |
|       | 620 | 52004                         | 5.89  | 49202 | 6.20  | 46136 | 6.39  | 42488 | 6.46  | 37812 | 6.41  | 30921 | 6.25  | -     | -     | -     | -     | -     | -     | -     | -     |
|       | 640 | 53682                         | 6.47  | 50969 | 6.80  | 48041 | 7.00  | 44614 | 7.10  | 40362 | 7.08  | 34492 | 6.93  | -     | -     | -     | -     | -     | -     | -     | -     |
|       | 660 | 55360                         | 7.10  | 52730 | 7.44  | 49925 | 7.66  | 46691 | 7.78  | 42778 | 7.78  | 37641 | 7.66  | -     | -     | -     | -     | -     | -     | -     | -     |
| 10    | 680 | 57037                         | 7.77  | 54485 | 8.12  | 51792 | 8.36  | 48726 | 8.49  | 45093 | 8.52  | 40504 | 8.43  | 34030 | 8.25  | -     | -     | -     | -     | -     | -     |
|       | 700 | 58715                         | 8.47  | 56235 | 8.84  | 53645 | 9.09  | 50726 | 9.25  | 47328 | 9.30  | 43164 | 9.24  | 37603 | 9.07  | -     | -     | -     | -     | -     | -     |
|       | 720 | 60392                         | 9.22  | 57980 | 9.60  | 55484 | 9.87  | 52697 | 10.04 | 49500 | 10.12 | 45676 | 10.08 | 40784 | 9.94  | 33849 | 9.75  | -     | -     | -     | -     |
|       | 740 | 62070                         | 10.01 | 59721 | 10.40 | 57311 | 10.69 | 54644 | 10.88 | 51620 | 10.98 | 48075 | 10.97 | 43690 | 10.85 | 37791 | 10.65 | -     | -     | -     | -     |
| 15    | 760 | 63747                         | 10.84 | 61457 | 11.25 | 59128 | 11.55 | 56568 | 11.76 | 53698 | 11.88 | 50385 | 11.90 | 46397 | 11.81 | 41265 | 11.62 | 34071 | 11.44 | -     | -     |
|       | 780 | 65425                         | 11.72 | 63190 | 12.14 | 60936 | 12.46 | 58474 | 12.69 | 55738 | 12.82 | 52625 | 12.87 | 48957 | 12.81 | 44399 | 12.65 | 38286 | 12.43 | -     | -     |
|       | 800 | 67103                         | 12.65 | 64920 | 13.08 | 62735 | 13.41 | 60363 | 13.66 | 57748 | 13.81 | 54807 | 13.88 | 51402 | 13.85 | 47289 | 13.72 | 42000 | 13.50 | -     | -     |
|       | 820 | 68780                         | 13.62 | 66647 | 14.07 | 64527 | 14.41 | 62237 | 14.67 | 59731 | 14.85 | 56940 | 14.94 | 53756 | 14.94 | 49997 | 14.83 | 45329 | 14.64 | -     | -     |
| 20*   | 840 | 70458                         | 14.64 | 68371 | 15.11 | 66312 | 15.46 | 64099 | 15.74 | 61691 | 15.94 | 59033 | 16.05 | 56038 | 16.07 | 52567 | 15.99 | 48376 | 15.82 | 43020 | 15.58 |
|       | 860 | 72135                         | 15.71 | 70093 | 16.19 | 68091 | 16.56 | 65948 | 16.85 | 63631 | 17.07 | 61091 | 17.20 | 58259 | 17.25 | 55027 | 17.20 | 51214 | 17.06 | 46500 | 16.83 |
|       | 880 | 73813                         | 16.83 | 71812 | 17.33 | 69864 | 17.71 | 67787 | 18.02 | 65552 | 18.25 | 63118 | 18.41 | 60430 | 18.47 | 57401 | 18.45 | 53893 | 18.34 | 49673 | 18.14 |
|       | 900 | 75490                         | 18.00 | 73529 | 18.52 | 71632 | 18.91 | 69616 | 19.24 | 67457 | 19.49 | 65120 | 19.66 | 62558 | 19.75 | 59703 | 19.76 | 56447 | 19.67 | 52618 | 19.50 |

Performance certified is for installation type A - free inlet, free outlet.  
 Performance ratings do not include the effects of appurtenances (accessories).  
 Power rating (BHP) does not include transmission losses.

**\*20HP motor is available by Special Quote only. Please contact Factory for more information.**



S&P USA Ventilation Systems, LLC., Div. of Soler & Palau Ventilation Group certifies that the Models TDB shown herein are licensed to bear the AMCA Seal. The ratings shown are based on test and procedures performed in accordance with AMCA Publication 211 and AMCA Publication 311 and comply with the requirement of the AMCA Certified Ratings Program.







## SOUND CHARACTERISTICS

### Size 12

| RPM  | Sound Performance Sones / LwA (Inches w.g.) |           |           |         |         |
|------|---|-----------|-----------|---------|---------|
|      | 0   | 0.125     | 0.25      | 0.375   | 0.5     |
| 1550 | 18.1 / 80                                   | 16.3 / 78 | -         | -       | -       |
| 1600 | 18.9 / 80                                   | 17.1 / 79 | 15.7 / 78 | -       | -       |
| 1650 | 19.8 / 81                                   | 18.1 / 80 | 16.7 / 79 | -       | -       |
| 1700 | 21 / 82                                     | 19 / 81   | 17.6 / 80 | -       | -       |
| 1725 | 21 / 83                                     | 19.5 / 81 | 18.1 / 80 | -       | -       |
| 1775 | 22 / 83                                     | 20 / 82   | 19.1 / 82 | -       | -       |
| 1825 | 23 / 85                                     | 22 / 83   | 20 / 83   | -       | -       |
| 1875 | 24 / 86                                     | 23 / 85   | 21 / 84   | -       | -       |
| 1925 | 25 / 87                                     | 24 / 86   | 23 / 85   | 22 / 84 | -       |
| 2000 | 28 / 88                                     | 26 / 87   | 25 / 86   | 24 / 85 | -       |
| 2075 | 30 / 90                                     | 29 / 89   | 27 / 88   | 26 / 87 | -       |
| 2150 | 33 / 91                                     | 32 / 90   | 30 / 89   | 29 / 89 | -       |
| 2200 | 35 / 92                                     | 34 / 91   | 32 / 90   | 30 / 90 | -       |
| 2275 | 39 / 94                                     | 37 / 93   | 35 / 92   | 33 / 91 | 32 / 90 |
| 2350 | 43 / 96                                     | 40 / 95   | 38 / 94   | 36 / 93 | 35 / 92 |
| 2425 | 47 / 97                                     | 44 / 96   | 42 / 95   | 40 / 94 | 38 / 93 |

### Size 16

| RPM  | Sound Performance Sones / LwA (Inches w.g.) |           |           |           |           |           |         |         |         |         |
|------|---|-----------|-----------|-----------|-----------|-----------|---------|---------|---------|---------|
|      | 0   | 0.125     | 0.25      | 0.375     | 0.5       | 0.625     | 0.75    | 0.875   | 1       | 1.25    |
| 1100 | 13.7 / 75                                   | 12.3 / 73 | 10.8 / 72 | -         | -         | -         | -       | -       | -       | -       |
| 1175 | 16.1 / 77                                   | 14.7 / 76 | 13.3 / 74 | -         | -         | -         | -       | -       | -       | -       |
| 1225 | 17.8 / 79                                   | 16.4 / 78 | 15 / 76   | 13.7 / 75 | -         | -         | -       | -       | -       | -       |
| 1275 | 19.7 / 81                                   | 18.1 / 79 | 16.8 / 78 | 15 / 76   | -         | -         | -       | -       | -       | -       |
| 1300 | 21 / 82                                     | 19.1 / 80 | 17.7 / 79 | 15.8 / 77 | -         | -         | -       | -       | -       | -       |
| 1350 | 23 / 83                                     | 21 / 82   | 19.6 / 81 | 17.8 / 79 | 16.7 / 79 | -         | -       | -       | -       | -       |
| 1375 | 24 / 84                                     | 22 / 83   | 21 / 82   | 18.7 / 80 | 17.4 / 79 | -         | -       | -       | -       | -       |
| 1425 | 27 / 86                                     | 25 / 85   | 23 / 83   | 21 / 82   | 19 / 80   | -         | -       | -       | -       | -       |
| 1475 | 29 / 88                                     | 27 / 86   | 26 / 85   | 23 / 84   | 21 / 82   | 19.8 / 81 | -       | -       | -       | -       |
| 1525 | 32 / 89                                     | 30 / 88   | 28 / 86   | 26 / 85   | 23 / 83   | 21 / 82   | -       | -       | -       | -       |
| 1575 | 33 / 90                                     | 31 / 88   | 29 / 87   | 27 / 86   | 25 / 84   | 23 / 83   | 22 / 83 | -       | -       | -       |
| 1625 | 35 / 90                                     | 32 / 89   | 31 / 88   | 29 / 87   | 26 / 86   | 24 / 84   | 23 / 84 | -       | -       | -       |
| 1675 | 36 / 91                                     | 34 / 90   | 32 / 89   | 30 / 88   | 28 / 87   | 26 / 85   | 24 / 85 | 23 / 85 | -       | -       |
| 1750 | 38 / 92                                     | 36 / 91   | 34 / 90   | 33 / 89   | 31 / 88   | 28 / 87   | 26 / 86 | 25 / 86 | -       | -       |
| 1825 | 41 / 93                                     | 39 / 92   | 37 / 91   | 35 / 90   | 33 / 90   | 31 / 88   | 29 / 87 | 27 / 87 | 27 / 87 | -       |
| 1875 | 42 / 93                                     | 40 / 92   | 38 / 92   | 36 / 91   | 35 / 90   | 32 / 89   | 30 / 88 | 29 / 88 | 28 / 88 | -       |
| 1925 | 43 / 94                                     | 41 / 93   | 39 / 92   | 37 / 92   | 36 / 91   | 34 / 90   | 32 / 89 | 30 / 88 | 29 / 89 | -       |
| 1975 | 44 / 94                                     | 42 / 94   | 40 / 93   | 39 / 92   | 37 / 92   | 36 / 91   | 34 / 90 | 32 / 89 | 31 / 89 | 31 / 90 |
| 2025 | 45 / 95                                     | 43 / 94   | 41 / 94   | 40 / 93   | 39 / 93   | 37 / 92   | 35 / 91 | 33 / 90 | 32 / 90 | 32 / 91 |
| 2075 | 46 / 96                                     | 44 / 95   | 43 / 94   | 41 / 94   | 40 / 93   | 39 / 93   | 37 / 92 | 35 / 91 | 33 / 91 | 33 / 91 |

The sound ratings shown are loudness values in fan sones at 1.5 m (5 ft) in a hemispherical free field calculated per AMCA International Standard 301. Values shown are for: Installation Type A: free inlet hemispherical sone levels.



S&P USA Ventilation Systems, LLC., Div. of Soler & Palau Ventilation Group certifies that the Models TDB shown herein are licensed to bear the AMCA Seal. The ratings shown are based on test and procedures performed in accordance with AMCA Publication 211 and AMCA Publication 311 and comply with the requirement of the AMCA Certified Ratings Program.



## Size 18

| RPM  | Sound Performance Sones / LwA (Inches w.g.) |            |           |           |           |         |          |         |         |
|------|---|------------|-----------|-----------|-----------|---------|----------|---------|---------|
|      | 0   | 0.125      | 0.25      | 0.375     | 0.5       | 0.625   | 0.75     | 0.875   | 1       |
| 1000 | 11.4 / 72                                   | 11 / 70    | -         | -         | -         | -       | -        | -       | -       |
| 1050 | 12.3 / 73                                   | 11.9 / 72  | 12.1 / 72 | -         | -         | -       | -        | -       | -       |
| 1100 | 13.2 / 74                                   | 12.7 / 73  | 12.7 / 73 | -         | -         | -       | -        | -       | -       |
| 1125 | 13.7 / 75                                   | 13.2 / 74  | 13 / 73   | -         | -         | -       | -        | -       | -       |
| 1150 | 14.1 / 75                                   | 13.7 / 74  | 13.4 / 74 | -         | -         | -       | -        | -       | -       |
| 1200 | 15.1 / 77                                   | 14.6 / 75  | 14.2 / 74 | 15.2 / 77 | -         | -       | -        | -       | -       |
| 1225 | 15.6 / 77                                   | 15.1 / 76  | 14.7 / 75 | 15.6 / 77 | -         | -       | -        | -       | -       |
| 1275 | 16.7 / 78                                   | 16.2 / 77  | 15.8 / 76 | 16.3 / 78 | -         | -       | -        | -       | -       |
| 1300 | 17.3 / 79                                   | 16.7 / 78  | 16.3 / 77 | 16.6 / 78 | -         | -       | -        | -       | -       |
| 1350 | 18.4 / 80                                   | 17.9 / 79  | 17.3 / 78 | 17.4 / 78 | -         | -       | -        | -       | -       |
| 1400 | 19.6 / 81                                   | 19.1 / 80. | 18.6 / 79 | 18.2 / 79 | 19 / 81   | -       | -        | -       | -       |
| 1450 | 21 / 82                                     | 20 / 81    | 19.9 / 80 | 19.5 / 80 | 19.7 / 81 | -       | -        | -       | -       |
| 1500 | 22 / 83                                     | 22 / 82    | 21 / 82   | 21 / 81   | 20 / 82   | 21 / 83 | -        | -       | -       |
| 1550 | 23 / 84                                     | 23 / 83    | 22 / 82   | 22 / 82   | 21 / 82   | 22 / 84 | -        | -       | -       |
| 1600 | 24 / 85                                     | 24 / 84    | 23 / 83   | 23 / 83   | 22 / 83   | 23 / 84 | -        | -       | -       |
| 1650 | 25 / 85                                     | 25 / 85    | 24 / 84   | 24 / 83   | 23 / 83   | 23 / 84 | 25 / 86  | -       | -       |
| 1675 | 25 / 86                                     | 25 / 85    | 25 / 85   | 24 / 84   | 24 / 83   | 24 / 85 | 25 / 86  | -       | -       |
| 1725 | 26 / 87                                     | 26 / 86    | 26 / 85   | 25 / 85   | 25 / 84   | 24 / 85 | 26 / 87  | -       | -       |
| 1775 | 27 / 87                                     | 27 / 87    | 27 / 86   | 26 / 86   | 26 / 85   | 25 / 85 | 26 / 87  | 28 / 88 | -       |
| 1825 | 28 / 88                                     | 28 / 88    | 28 / 87   | 27 / 86   | 27 / 86   | 26 / 86 | 27 / 87  | 29 / 89 | -       |
| 1850 | 29 / 88                                     | 29 / 88    | 28 / 87   | 28 / 87   | 27 / 86   | 27 / 86 | 27 / 87  | 29 / 89 | -       |
| 1925 | 31 / 90                                     | 30 / 89    | 30 / 89   | 29 / 88   | 29 / 88   | 29 / 87 | 28 / 88  | 30 / 89 | 31 / 90 |
| 2000 | 33 / 91                                     | 32 / 90    | 32 / 90   | 31 / 89   | 30 / 89   | 30 / 88 | 30 / 88  | 31 / 89 | 33 / 91 |
| 2075 | 35 / 92                                     | 35 / 91    | 34 / 91   | 33 / 91   | 32 / 90   | 32 / 90 | 32 / 89. | 32 / 90 | 34 / 91 |

The sound ratings shown are loudness values in fan sones at 1.5 m (5 ft) in a hemispherical free field calculated per AMCA International Standard 301. Values shown are for: Installation Type A: free inlet hemispherical sone levels.



S&P USA Ventilation Systems, LLC., Div. of Soler & Palau Ventilation Group certifies that the Models TDB shown herein are licensed to bear the AMCA Seal. The ratings shown are based on test and procedures performed in accordance with AMCA Publication 211 and AMCA Publication 311 and comply with the requirement of the AMCA Certified Ratings Program.



**Size 20**

| RPM  | Sound Performance Sones / LwA (Inches w.g.) |           |           |           |           |         |         |         |         |         |
|------|---|-----------|-----------|-----------|-----------|---------|---------|---------|---------|---------|
|      | 0   | 0.125     | 0.25      | 0.375     | 0.5       | 0.625   | 0.75    | 0.875   | 1       | 1.125   |
| 1050 | 13.6 / 76                                   | 12.8 / 75 | -         | -         | -         | -       | -       | -       | -       | -       |
| 1100 | 14.9 / 77                                   | 14.2 / 77 | -         | -         | -         | -       | -       | -       | -       | -       |
| 1125 | 15.6 / 78                                   | 14.9 / 77 | 13.9 / 77 | -         | -         | -       | -       | -       | -       | -       |
| 1150 | 16.2 / 79                                   | 15.6 / 78 | 14.7 / 77 | -         | -         | -       | -       | -       | -       | -       |
| 1175 | 16.9 / 79                                   | 16.2 / 79 | 15.4 / 78 | -         | -         | -       | -       | -       | -       | -       |
| 1225 | 18.2 / 81                                   | 17.6 / 80 | 16.9 / 79 | -         | -         | -       | -       | -       | -       | -       |
| 1275 | 19.7 / 82                                   | 19 / 81   | 18.3 / 81 | 17.4 / 80 | -         | -       | -       | -       | -       | -       |
| 1300 | 20 / 82                                     | 19.8 / 82 | 19 / 81   | 18 / 81   | -         | -       | -       | -       | -       | -       |
| 1325 | 21 / 83                                     | 21 / 83   | 19.8 / 82 | 18.7 / 81 | -         | -       | -       | -       | -       | -       |
| 1375 | 23 / 84                                     | 22 / 84   | 21 / 83   | 20 / 83   | 19.9 / 83 | -       | -       | -       | -       | -       |
| 1400 | 24 / 85                                     | 23 / 84   | 22 / 84   | 21 / 83   | 21 / 83   | -       | -       | -       | -       | -       |
| 1450 | 25 / 86                                     | 25 / 85   | 24 / 85   | 23 / 84   | 22 / 84   | -       | -       | -       | -       | -       |
| 1525 | 28 / 87                                     | 27 / 87   | 26 / 86   | 25 / 86   | 24 / 85   | -       | -       | -       | -       | -       |
| 1575 | 29 / 88                                     | 28 / 88   | 27 / 87   | 27 / 87   | 26 / 86   | 25 / 86 | -       | -       | -       | -       |
| 1625 | 30 / 89                                     | 30 / 89   | 29 / 88   | 28 / 88   | 27 / 87   | 26 / 87 | -       | -       | -       | -       |
| 1675 | 32 / 90                                     | 31 / 90   | 30 / 89   | 29 / 89   | 28 / 88   | 27 / 88 | 27 / 88 | -       | -       | -       |
| 1700 | 32 / 90                                     | 32 / 90   | 31 / 90   | 30 / 89   | 29 / 89   | 28 / 88 | 28 / 88 | -       | -       | -       |
| 1775 | 34 / 91                                     | 34 / 91   | 33 / 91   | 32 / 90   | 31 / 90   | 30 / 90 | 29 / 89 | 30 / 90 | -       | -       |
| 1850 | 36 / 93                                     | 36 / 92   | 35 / 92   | 34 / 92   | 34 / 91   | 33 / 91 | 31 / 91 | 31 / 91 | -       | -       |
| 1925 | 39 / 94                                     | 38 / 94   | 37 / 93   | 37 / 93   | 36 / 93   | 35 / 92 | 34 / 92 | 33 / 92 | 34 / 92 | -       |
| 1950 | 40 / 94                                     | 39 / 94   | 38 / 94   | 38 / 93   | 37 / 93   | 36 / 93 | 35 / 92 | 34 / 92 | 35 / 92 | -       |
| 2000 | 42 / 95                                     | 41 / 95   | 40 / 94   | 40 / 94   | 39 / 94   | 38 / 94 | 37 / 93 | 36 / 93 | 36 / 93 | -       |
| 2050 | 44 / 96                                     | 43 / 96   | 42 / 95   | 42 / 95   | 41 / 95   | 40 / 94 | 39 / 94 | 38 / 94 | 38 / 94 | 38 / 94 |
| 2075 | 45 / 96                                     | 44 / 96   | 43 / 96   | 43 / 95   | 42 / 95   | 41 / 95 | 40 / 95 | 39 / 94 | 38 / 94 | 39 / 94 |

The sound ratings shown are loudness values in fan sones at 1.5 m (5 ft) in a hemispherical free field calculated per AMCA International Standard 301. Values shown are for: Installation Type A: free inlet hemispherical sone levels.



S&P USA Ventilation Systems, LLC., Div. of Soler & Palau Ventilation Group certifies that the Models TDB shown herein are licensed to bear the AMCA Seal. The ratings shown are based on test and procedures performed in accordance with AMCA Publication 211 and AMCA Publication 311 and comply with the requirement of the AMCA Certified Ratings Program.



**Size 24**

| RPM  | Sound Performance Sones / LwA (Inches w.g.) |           |           |           |         |         |         |         |         |
|------|---|-----------|-----------|-----------|---------|---------|---------|---------|---------|
|      | 0   | 0.125     | 0.25      | 0.375     | 0.5     | 0.625   | 0.75    | 0.875   | 1       |
| 800  | 12.8 / 75                                   | 11.9 / 74 | -         | -         | -       | -       | -       | -       | -       |
| 850  | 14.3 / 77                                   | 13.4 / 76 | 12.6 / 75 | -         | -       | -       | -       | -       | -       |
| 900  | 15.8 / 78                                   | 14.9 / 77 | 14 / 77   | -         | -       | -       | -       | -       | -       |
| 950  | 17.3 / 80                                   | 16.5 / 79 | 15.5 / 78 | -         | -       | -       | -       | -       | -       |
| 975  | 18.1 / 81                                   | 17.3 / 80 | 16.3 / 79 | 16.1 / 79 | -       | -       | -       | -       | -       |
| 1025 | 19.6 / 82                                   | 18.8 / 81 | 18 / 81   | 17.6 / 80 | -       | -       | -       | -       | -       |
| 1075 | 21 / 84                                     | 21 / 83   | 19.7 / 82 | 19.1 / 82 | -       | -       | -       | -       | -       |
| 1125 | 23 / 85                                     | 22 / 84   | 22 / 84   | 21 / 83   | 21 / 83 | -       | -       | -       | -       |
| 1150 | 24 / 86                                     | 23 / 85   | 23 / 84   | 22 / 84   | 22 / 84 | -       | -       | -       | -       |
| 1200 | 26 / 87                                     | 25 / 86   | 25 / 86   | 24 / 85   | 23 / 85 | -       | -       | -       | -       |
| 1225 | 27 / 88                                     | 26 / 87   | 26 / 86   | 25 / 86   | 24 / 85 | -       | -       | -       | -       |
| 1250 | 28 / 88                                     | 28 / 88   | 27 / 87   | 26 / 86   | 25 / 86 | 25 / 86 | -       | -       | -       |
| 1275 | 29 / 89                                     | 29 / 88   | 28 / 88   | 27 / 87   | 26 / 87 | 26 / 87 | -       | -       | -       |
| 1325 | 32 / 90                                     | 31 / 90   | 30 / 89   | 29 / 88   | 28 / 88 | 28 / 88 | -       | -       | -       |
| 1375 | 34 / 91                                     | 33 / 91   | 32 / 90   | 31 / 90   | 30 / 89 | 30 / 89 | -       | -       | -       |
| 1425 | 36 / 92                                     | 35 / 92   | 34 / 91   | 33 / 91   | 32 / 90 | 31 / 90 | 31 / 90 | -       | -       |
| 1450 | 37 / 93                                     | 36 / 92   | 35 / 92   | 34 / 91   | 33 / 91 | 32 / 90 | 32 / 90 | -       | -       |
| 1500 | 39 / 94                                     | 38 / 93   | 37 / 93   | 36 / 92   | 35 / 92 | 34 / 91 | 34 / 91 | 34 / 91 | -       |
| 1525 | 40 / 94                                     | 39 / 94   | 38 / 93   | 37 / 93   | 36 / 92 | 35 / 92 | 35 / 92 | 35 / 92 | -       |
| 1550 | 41 / 94                                     | 41 / 94   | 40 / 94   | 38 / 93   | 37 / 93 | 36 / 92 | 36 / 92 | 36 / 92 | -       |
| 1625 | 45 / 96                                     | 44 / 96   | 43 / 95   | 42 / 95   | 41 / 94 | 40 / 94 | 39 / 93 | 39 / 93 | 38 / 93 |
| 1675 | 47 / 97                                     | 47 / 97   | 46 / 96   | 44 / 96   | 43 / 95 | 42 / 95 | 41 / 94 | 41 / 94 | 41 / 94 |
| 1725 | 50 / 98                                     | 49 / 97   | 48 / 97   | 47 / 97   | 46 / 96 | 45 / 96 | 44 / 95 | 43 / 95 | 43 / 95 |
| 1775 | 52 / 98                                     | 52 / 98   | 51 / 98   | 50 / 98   | 49 / 97 | 48 / 97 | 46 / 96 | 45 / 96 | 45 / 96 |

The sound ratings shown are loudness values in fan sones at 1.5 m (5 ft) in a hemispherical free field calculated per AMCA International Standard 301. Values shown are for: Installation Type A: free inlet hemispherical sone levels.



S&P USA Ventilation Systems, LLC., Div. of Soler & Palau Ventilation Group certifies that the Models TDB shown herein are licensed to bear the AMCA Seal. The ratings shown are based on test and procedures performed in accordance with AMCA Publication 211 and AMCA Publication 311 and comply with the requirement of the AMCA Certified Ratings Program.



**Size 30**

| RPM  | Sound Performance Sones / LwA (Inches w.g.) |           |           |           |          |          |         |         |         |         |
|------|---|-----------|-----------|-----------|----------|----------|---------|---------|---------|---------|
|      | 0   | 0.125     | 0.25      | 0.375     | 0.5      | 0.625    | 0.75    | 0.875   | 1       | 1.25    |
| 600  | 11.8 / 73                                   | 10.1 / 71 | -         | -         | -        | -        | -       | -       | -       | -       |
| 650  | 13.5 / 75                                   | 12 / 74   | -         | -         | -        | -        | -       | -       | -       | -       |
| 700  | 15.2 / 77                                   | 13.9 / 76 | 12.8 / 75 | -         | -        | -        | -       | -       | -       | -       |
| 750  | 16.9 / 79                                   | 15.9 / 78 | 14.8 / 77 | -         | -        | -        | -       | -       | -       | -       |
| 775  | 17.8 / 80                                   | 16.9 / 79 | 15.8 / 78 | -         | -        | -        | -       | -       | -       | -       |
| 800  | 18.6 / 81                                   | 17.8 / 80 | 16.8 / 79 | -         | -        | -        | -       | -       | -       | -       |
| 825  | 19.6 / 82                                   | 18.8 / 81 | 17.8 / 80 | -         | -        | -        | -       | -       | -       | -       |
| 850  | 21 / 83                                     | 19.7 / 82 | 18.8 / 81 | 18.1 / 80 | -        | -        | -       | -       | -       | -       |
| 875  | 22 / 84                                     | 21 / 83   | 19.8 / 82 | 19.1 / 81 | -        | -        | -       | -       | -       | -       |
| 900  | 23 / 85                                     | 22 / 84   | 21 / 83   | 20 / 82   | -        | -        | -       | -       | -       | -       |
| 925  | 24 / 86                                     | 23 / 85   | 22 / 84   | 21 / 83   | -        | -        | -       | -       | -       | -       |
| 950  | 25 / 87                                     | 24 / 86   | 23 / 85   | 22 / 84   | 22 / 83  | -        | -       | -       | -       | -       |
| 975  | 27 / 87                                     | 26 / 87   | 24 / 85   | 23 / 84   | 23 / 84  | -        | -       | -       | -       | -       |
| 1025 | 29 / 89                                     | 28 / 88   | 27 / 87   | 26 / 86   | 25 / 86  | -        | -       | -       | -       | -       |
| 1075 | 32 / 90                                     | 31 / 90   | 29 / 89   | 28 / 88   | 27 / 87  | -        | -       | -       | -       | -       |
| 1100 | 34 / 91                                     | 33 / 91   | 31 / 89   | 29 / 89   | 29 / 88  | 28 / 88  | -       | -       | -       | -       |
| 1125 | 35 / 92                                     | 34 / 91   | 32 / 90   | 31 / 89   | 30 / 89  | 29 / 88  | -       | -       | -       | -       |
| 1150 | 37 / 93                                     | 36 / 92   | 34 / 91   | 32 / 90   | 31 / 89  | 30 / 89  | -       | -       | -       | -       |
| 1175 | 38 / 93                                     | 37 / 93   | 35 / 92   | 34 / 91   | 32 / 90  | 31 / 90  | -       | -       | -       | -       |
| 1200 | 39 / 94                                     | 38 / 93   | 37 / 92   | 35 / 91   | 33 / 91  | 32 / 90  | 32 / 90 | -       | -       | -       |
| 1225 | 41 / 94                                     | 40 / 94   | 38 / 93   | 36 / 92   | 35 / 91  | 34 / 91  | 33 / 91 | -       | -       | -       |
| 1275 | 43 / 95                                     | 42 / 95   | 41 / 94   | 39 / 93   | 38 / 93  | 36 / 92  | 36 / 92 | -       | -       | -       |
| 1325 | 46 / 96                                     | 45 / 96   | 44 / 95   | 42 / 95   | 41 / 94  | 39 / 93  | 38 / 93 | 38 / 93 | -       | -       |
| 1375 | 49 / 97                                     | 48 / 97   | 47 / 96   | 45 / 96   | 44 / 95  | 42 / 95  | 41 / 94 | 41 / 94 | -       | -       |
| 1400 | 50 / 98                                     | 50 / 98   | 48 / 97   | 47 / 96   | 45 / 96  | 44 / 95  | 43 / 95 | 42 / 9  | -       | -       |
| 1475 | 55 / 99                                     | 54 / 99   | 53 / 99   | 51 / 98   | 50 / 98  | 49 / 97  | 48 / 97 | 46 / 96 | 46 / 96 | -       |
| 1550 | 59 / 101                                    | 59 / 101  | 58 / 100  | 57 / 100  | 55 / 99  | 54 / 99  | 53 / 98 | 52 / 98 | 51 / 97 | -       |
| 1600 | 63 / 101                                    | 63 / 101  | 61 / 101  | 60 / 101  | 59 / 100 | 58 / 100 | 56 / 99 | 55 / 99 | 54 / 98 | 53 / 98 |

The sound ratings shown are loudness values in fan sones at 1.5 m (5 ft) in a hemispherical free field calculated per AMCA International Standard 301. Values shown are for: Installation Type A: free inlet hemispherical sone levels.



S&P USA Ventilation Systems, LLC., Div. of Soler & Palau Ventilation Group certifies that the Models TDB shown herein are licensed to bear the AMCA Seal. The ratings shown are based on test and procedures performed in accordance with AMCA Publication 211 and AMCA Publication 311 and comply with the requirement of the AMCA Certified Ratings Program.



**Size 34**

| RPM  | Sound Performance Sones / LwA (Inches w.g.) |           |           |          |          |          |          |          |          |          |          |
|------|---|-----------|-----------|----------|----------|----------|----------|----------|----------|----------|----------|
|      | 0   | 0.125     | 0.25      | 0.375    | 0.5      | 0.625    | 0.75     | 0.875    | 1        | 1.25     | 1.5      |
| 600  | 15.1 / 78                                   | 15.4 / 78 | -         | -        | -        | -        | -        | -        | -        | -        | -        |
| 625  | 16.2 / 79                                   | 16.4 / 79 | -         | -        | -        | -        | -        | -        | -        | -        | -        |
| 650  | 17.4 / 80                                   | 17.5 / 80 | 17.8 / 81 | -        | -        | -        | -        | -        | -        | -        | -        |
| 675  | 18.5 / 81                                   | 18.6 / 81 | 19 / 82   | -        | -        | -        | -        | -        | -        | -        | -        |
| 700  | 19.7 / 82                                   | 19.7 / 82 | 20 / 83   | -        | -        | -        | -        | -        | -        | -        | -        |
| 725  | 21 / 83                                     | 21 / 83   | 22 / 84   | 21 / 84  | -        | -        | -        | -        | -        | -        | -        |
| 750  | 22 / 84                                     | 22 / 84   | 23 / 85   | 23 / 85  | -        | -        | -        | -        | -        | -        | -        |
| 775  | 23 / 85                                     | 24 / 85   | 24 / 86   | 25 / 86  | -        | -        | -        | -        | -        | -        | -        |
| 800  | 25 / 86                                     | 25 / 86   | 25 / 87   | 26 / 87  | -        | -        | -        | -        | -        | -        | -        |
| 825  | 26 / 87                                     | 26 / 87   | 27 / 87   | 27 / 88  | 27 / 87  | -        | -        | -        | -        | -        | -        |
| 850  | 28 / 88                                     | 28 / 88   | 28 / 88   | 29 / 89  | 29 / 89  | -        | -        | -        | -        | -        | -        |
| 875  | 29 / 89                                     | 29 / 89   | 30 / 89   | 31 / 90  | 31 / 90  | -        | -        | -        | -        | -        | -        |
| 900  | 30 / 89                                     | 31 / 90   | 31 / 90   | 32 / 90  | 33 / 91  | 31 / 90  | -        | -        | -        | -        | -        |
| 925  | 32 / 90                                     | 32 / 90   | 33 / 91   | 34 / 91  | 34 / 91  | 33 / 91  | -        | -        | -        | -        | -        |
| 950  | 33 / 91                                     | 34 / 91   | 34 / 91   | 35 / 92  | 36 / 92  | 35 / 92  | 33 / 91  | -        | -        | -        | -        |
| 975  | 35 / 92                                     | 35 / 92   | 36 / 92   | 36 / 92  | 37 / 93  | 37 / 93  | 35 / 92  | -        | -        | -        | -        |
| 1025 | 38 / 93                                     | 38 / 93   | 38 / 93   | 39 / 93  | 39 / 94  | 40 / 94  | 39 / 94  | 37 / 93  | -        | -        | -        |
| 1050 | 39 / 94                                     | 39 / 94   | 40 / 94   | 40 / 94  | 41 / 94  | 41 / 95  | 41 / 95  | 39 / 94  | -        | -        | -        |
| 1100 | 43 / 95                                     | 43 / 95   | 43 / 95   | 43 / 95  | 44 / 96  | 44 / 96  | 44 / 96  | 43 / 95  | -        | -        | -        |
| 1125 | 44 / 96                                     | 44 / 96   | 45 / 96   | 45 / 96  | 45 / 96  | 45 / 96  | 46 / 96  | 45 / 96  | 43 / 95  | -        | -        |
| 1175 | 48 / 97                                     | 48 / 97   | 48 / 97   | 48 / 97  | 48 / 97  | 48 / 97  | 49 / 98  | 49 / 98  | 47 / 97  | -        | -        |
| 1225 | 51 / 98                                     | 51 / 98   | 52 / 98   | 52 / 98  | 52 / 98  | 52 / 98  | 52 / 99  | 52 / 99  | 52 / 99  | -        | -        |
| 1275 | 55 / 99                                     | 55 / 99   | 55 / 99   | 55 / 99  | 55 / 99  | 55 / 100 | 55 / 100 | 55 / 100 | 56 / 100 | -        | -        |
| 1325 | 60 / 100                                    | 60 / 100  | 60 / 100  | 60 / 100 | 59 / 100 | 59 / 101 | 59 / 101 | 59 / 101 | 59 / 101 | 58 / 101 | -        |
| 1375 | 64 / 101                                    | 64 / 101  | 64 / 101  | 64 / 101 | 64 / 102 | 64 / 102 | 63 / 102 | 64 / 102 | 64 / 102 | 64 / 102 | -        |
| 1425 | 69 / 102                                    | 69 / 102  | 69 / 102  | 68 / 102 | 68 / 103 | 68 / 103 | 68 / 103 | 68 / 103 | 69 / 103 | 70 / 103 | -        |
| 1475 | 74 / 103                                    | 74 / 103  | 73 / 103  | 73 / 103 | 73 / 103 | 72 / 104 | 73 / 104 | 73 / 104 | 74 / 104 | 75 / 104 | 74 / 104 |
| 1525 | 79 / 104                                    | 79 / 104  | 78 / 104  | 78 / 104 | 78 / 104 | 77 / 105 | 78 / 105 | 78 / 105 | 79 / 105 | 80 / 105 | 81 / 105 |

The sound ratings shown are loudness values in fan sones at 1.5 m (5 ft) in a hemispherical free field calculated per AMCA International Standard 301. Values shown are for: Installation Type A: free inlet hemispherical sone levels.



S&P USA Ventilation Systems, LLC., Div. of Soler & Palau Ventilation Group certifies that the Models TDB shown herein are licensed to bear the AMCA Seal. The ratings shown are based on test and procedures performed in accordance with AMCA Publication 211 and AMCA Publication 311 and comply with the requirement of the AMCA Certified Ratings Program.



## Size 36

| RPM  | Sound Performance Sones / LwA (Inches w.g.) |           |           |          |          |          |          |          |          |          |          |
|------|---|-----------|-----------|----------|----------|----------|----------|----------|----------|----------|----------|
|      | 0   | 0.125     | 0.25      | 0.375    | 0.5      | 0.625    | 0.75     | 0.875    | 1        | 1.25     | 1.5      |
| 650  | 18.3 / 80                                   | 17.2 / 80 | -         | -        | -        | -        | -        | -        | -        | -        | -        |
| 675  | 19.5 / 81                                   | 18.3 / 81 | 17.6 / 81 | -        | -        | -        | -        | -        | -        | -        | -        |
| 700  | 21 / 82                                     | 19.5 / 82 | 18.7 / 82 | -        | -        | -        | -        | -        | -        | -        | -        |
| 725  | 22 / 83                                     | 21 / 83   | 19.8 / 83 | -        | -        | -        | -        | -        | -        | -        | -        |
| 750  | 23 / 84                                     | 22 / 84   | 21 / 83   | 21 / 84  | -        | -        | -        | -        | -        | -        | -        |
| 775  | 24 / 85                                     | 23 / 85   | 22 / 84   | 22 / 84  | -        | -        | -        | -        | -        | -        | -        |
| 800  | 26 / 86                                     | 25 / 86   | 23 / 85   | 23 / 85  | -        | -        | -        | -        | -        | -        | -        |
| 825  | 27 / 87                                     | 26 / 87   | 25 / 86   | 24 / 86  | 24 / 86  | -        | -        | -        | -        | -        | -        |
| 875  | 30 / 89                                     | 29 / 89   | 27 / 88   | 27 / 88  | 26 / 88  | -        | -        | -        | -        | -        | -        |
| 900  | 32 / 90                                     | 30 / 90   | 29 / 89   | 28 / 89  | 28 / 89  | -        | -        | -        | -        | -        | -        |
| 925  | 33 / 91                                     | 32 / 90   | 31 / 90   | 30 / 89  | 29 / 89  | -        | -        | -        | -        | -        | -        |
| 950  | 35 / 92                                     | 34 / 91   | 32 / 91   | 31 / 90  | 31 / 90  | 30 / 90  | -        | -        | -        | -        | -        |
| 975  | 36 / 92                                     | 35 / 92   | 34 / 91   | 33 / 91  | 32 / 91  | 32 / 91  | -        | -        | -        | -        | -        |
| 1000 | 38 / 93                                     | 37 / 93   | 36 / 92   | 35 / 92  | 34 / 92  | 33 / 92  | -        | -        | -        | -        | -        |
| 1025 | 40 / 94                                     | 39 / 94   | 38 / 93   | 36 / 93  | 36 / 92  | 35 / 92  | 35 / 92  | -        | -        | -        | -        |
| 1050 | 42 / 95                                     | 41 / 94   | 40 / 94   | 38 / 93  | 37 / 93  | 36 / 93  | 36 / 93  | 36 / 93  | -        | -        | -        |
| 1100 | 45 / 96                                     | 44 / 96   | 43 / 95   | 42 / 95  | 41 / 94  | 40 / 94  | 39 / 94  | 39 / 94  | -        | -        | -        |
| 1125 | 47 / 97                                     | 46 / 96   | 45 / 96   | 44 / 95  | 42 / 95  | 41 / 95  | 41 / 95  | 40 / 95  | -        | -        | -        |
| 1150 | 49 / 97                                     | 48 / 97   | 47 / 96   | 45 / 96  | 44 / 96  | 43 / 96  | 42 / 96  | 42 / 96  | -        | -        | -        |
| 1175 | 51 / 98                                     | 50 / 98   | 49 / 97   | 47 / 97  | 46 / 96  | 45 / 96  | 44 / 96  | 44 / 96  | 43 / 96  | -        | -        |
| 1225 | 55 / 99                                     | 54 / 99   | 53 / 98   | 51 / 98  | 50 / 98  | 49 / 97  | 48 / 97  | 47 / 97  | 47 / 97  | -        | -        |
| 1275 | 59 / 100                                    | 58 / 100  | 57 / 100  | 55 / 99  | 54 / 99  | 52 / 99  | 52 / 98  | 51 / 98  | 50 / 98  | 51 / 99  | -        |
| 1350 | 66 / 102                                    | 65 / 102  | 63 / 101  | 62 / 101 | 60 / 101 | 59 / 100 | 58 / 100 | 57 / 100 | 56 / 100 | 55 / 100 | -        |
| 1400 | 70 / 103                                    | 70 / 103  | 68 / 102  | 66 / 102 | 65 / 102 | 63 / 101 | 62 / 101 | 61 / 101 | 60 / 101 | 59 / 101 | -        |
| 1450 | 75 / 104                                    | 74 / 104  | 73 / 103  | 71 / 103 | 69 / 103 | 68 / 102 | 66 / 102 | 65 / 102 | 65 / 102 | 64 / 102 | -        |
| 1500 | 80 / 105                                    | 79 / 105  | 78 / 104  | 76 / 104 | 74 / 104 | 73 / 104 | 71 / 103 | 70 / 103 | 69 / 103 | 68 / 103 | 67 / 103 |
| 1550 | 85 / 106                                    | 85 / 106  | 83 / 105  | 81 / 105 | 79 / 105 | 78 / 105 | 76 / 104 | 75 / 104 | 74 / 104 | 73 / 104 | 72 / 104 |
| 1600 | 90 / 107                                    | 90 / 107  | 88 / 106  | 87 / 106 | 85 / 106 | 83 / 106 | 81 / 105 | 80 / 105 | 78 / 105 | 77 / 105 | 76 / 105 |

The sound ratings shown are loudness values in fan sones at 1.5 m (5 ft) in a hemispherical free field calculated per AMCA International Standard 301. Values shown are for: Installation Type A: free inlet hemispherical sone levels.



S&P USA Ventilation Systems, LLC., Div. of Soler & Palau Ventilation Group certifies that the Models TDB shown herein are licensed to bear the AMCA Seal. The ratings shown are based on test and procedures performed in accordance with AMCA Publication 211 and AMCA Publication 311 and comply with the requirement of the AMCA Certified Ratings Program.



## Size 42

| RPM  | Sound Performance Sones / LwA (Inches w.g.) |           |           |          |          |          |          |          |          |          |          |
|------|---|-----------|-----------|----------|----------|----------|----------|----------|----------|----------|----------|
|      | 0   | 0.125     | 0.25      | 0.375    | 0.5      | 0.625    | 0.75     | 0.875    | 1        | 1.25     | 1.5      |
| 480  | 17 / 80                                     | 16.5 / 79 | -         | -        | -        | -        | -        | -        | -        | -        | -        |
| 520  | 19.4 / 82                                   | 18.9 / 82 | 17.2 / 80 | -        | -        | -        | -        | -        | -        | -        | -        |
| 560  | 22 / 84                                     | 21 / 84   | 21 / 83   | -        | -        | -        | -        | -        | -        | -        | -        |
| 600  | 24 / 86                                     | 24 / 86   | 23 / 85   | -        | -        | -        | -        | -        | -        | -        | -        |
| 640  | 27 / 88                                     | 27 / 88   | 26 / 87   | 24 / 86  | -        | -        | -        | -        | -        | -        | -        |
| 660  | 29 / 89                                     | 28 / 89   | 28 / 88   | 26 / 87  | -        | -        | -        | -        | -        | -        | -        |
| 680  | 30 / 90                                     | 30 / 89   | 29 / 89   | 28 / 88  | -        | -        | -        | -        | -        | -        | -        |
| 700  | 32 / 91                                     | 31 / 90   | 31 / 90   | 30 / 89  | -        | -        | -        | -        | -        | -        | -        |
| 720  | 33 / 91                                     | 33 / 91   | 32 / 91   | 31 / 90  | 29 / 88  | -        | -        | -        | -        | -        | -        |
| 740  | 35 / 92                                     | 34 / 92   | 34 / 92   | 33 / 91  | 31 / 90  | -        | -        | -        | -        | -        | -        |
| 760  | 37 / 93                                     | 36 / 93   | 35 / 92   | 35 / 92  | 33 / 91  | -        | -        | -        | -        | -        | -        |
| 800  | 40 / 94                                     | 40 / 94   | 39 / 94   | 38 / 93  | 37 / 93  | -        | -        | -        | -        | -        | -        |
| 820  | 42 / 95                                     | 42 / 95   | 41 / 95   | 40 / 94  | 39 / 94  | 37 / 92  | -        | -        | -        | -        | -        |
| 840  | 44 / 96                                     | 44 / 96   | 43 / 95   | 42 / 95  | 41 / 95  | 39 / 94  | -        | -        | -        | -        | -        |
| 860  | 46 / 96                                     | 46 / 96   | 45 / 96   | 44 / 96  | 43 / 95  | 42 / 95  | -        | -        | -        | -        | -        |
| 900  | 49 / 98                                     | 49 / 97   | 49 / 97   | 48 / 97  | 47 / 97  | 46 / 96  | 44 / 95  | -        | -        | -        | -        |
| 940  | 53 / 99                                     | 53 / 99   | 52 / 98   | 51 / 98  | 50 / 98  | 50 / 98  | 48 / 97  | 46 / 96  | -        | -        | -        |
| 980  | 57 / 100                                    | 57 / 100  | 56 / 100  | 55 / 99  | 54 / 99  | 54 / 99  | 53 / 99  | 50 / 98  | -        | -        | -        |
| 1020 | 61 / 101                                    | 61 / 101  | 60 / 101  | 59 / 100 | 59 / 100 | 58 / 100 | 57 / 100 | 55 / 99  | -        | -        | -        |
| 1060 | 65 / 102                                    | 65 / 102  | 65 / 102  | 64 / 102 | 63 / 101 | 62 / 101 | 61 / 101 | 61 / 101 | 58 / 100 | -        | -        |
| 1100 | 70 / 103                                    | 70 / 103  | 69 / 103  | 68 / 103 | 68 / 102 | 67 / 102 | 66 / 102 | 65 / 102 | 64 / 101 | -        | -        |
| 1140 | 75 / 104                                    | 75 / 104  | 74 / 104  | 73 / 104 | 73 / 103 | 72 / 103 | 71 / 103 | 70 / 103 | 69 / 103 | -        | -        |
| 1180 | 80 / 105                                    | 80 / 105  | 79 / 105  | 79 / 105 | 78 / 104 | 77 / 104 | 76 / 104 | 75 / 104 | 74 / 104 | -        | -        |
| 1200 | 82 / 105                                    | 82 / 105  | 82 / 105  | 81 / 105 | 80 / 105 | 80 / 105 | 79 / 105 | 78 / 104 | 77 / 104 | 74 / 103 | -        |
| 1240 | 88 / 106                                    | 88 / 106  | 87 / 106  | 86 / 106 | 86 / 106 | 85 / 106 | 84 / 106 | 83 / 105 | 82 / 105 | 80 / 105 | -        |
| 1260 | 90 / 107                                    | 90 / 107  | 90 / 107  | 89 / 106 | 88 / 106 | 88 / 106 | 87 / 106 | 86 / 106 | 85 / 106 | 83 / 105 | -        |
| 1300 | 96 / 107                                    | 96 / 107  | 96 / 107  | 95 / 107 | 94 / 107 | 93 / 107 | 93 / 107 | 92 / 107 | 91 / 107 | 89 / 106 | 86 / 106 |

The sound ratings shown are loudness values in fan sones at 1.5 m (5 ft) in a hemispherical free field calculated per AMCA International Standard 301. Values shown are for: Installation Type A: free inlet hemispherical sone levels.



S&P USA Ventilation Systems, LLC., Div. of Soler & Palau Ventilation Group certifies that the Models TDB shown herein are licensed to bear the AMCA Seal. The ratings shown are based on test and procedures performed in accordance with AMCA Publication 211 and AMCA Publication 311 and comply with the requirement of the AMCA Certified Ratings Program.





**Size 48**

| RPM  | Sound Performance Sones / LwA (Inches w.g.) |          |           |          |          |          |          |          |          |          |          |
|------|---|----------|-----------|----------|----------|----------|----------|----------|----------|----------|----------|
|      | 0   | 0.125    | 0.25      | 0.375    | 0.5      | 0.625    | 0.75     | 0.875    | 1        | 1.25     | 1.5      |
| 460  | 21 / 82                                     | 20 / 82  | 19.8 / 81 | -        | -        | -        | -        | -        | -        | -        | -        |
| 480  | 23 / 84                                     | 22 / 83  | 22 / 83   | -        | -        | -        | -        | -        | -        | -        | -        |
| 500  | 24 / 85                                     | 24 / 84  | 23 / 84   | -        | -        | -        | -        | -        | -        | -        | -        |
| 520  | 27 / 86                                     | 26 / 86  | 26 / 85   | 25 / 85  | -        | -        | -        | -        | -        | -        | -        |
| 540  | 29 / 87                                     | 29 / 87  | 28 / 86   | 27 / 86  | -        | -        | -        | -        | -        | -        | -        |
| 560  | 32 / 88                                     | 32 / 88  | 30 / 87   | 29 / 87  | -        | -        | -        | -        | -        | -        | -        |
| 580  | 35 / 89                                     | 34 / 89  | 33 / 89   | 32 / 88  | 30 / 88  | -        | -        | -        | -        | -        | -        |
| 600  | 38 / 90                                     | 38 / 90  | 36 / 90   | 34 / 89  | 33 / 89  | -        | -        | -        | -        | -        | -        |
| 620  | 41 / 91                                     | 41 / 91  | 39 / 91   | 37 / 90  | 36 / 90  | -        | -        | -        | -        | -        | -        |
| 640  | 43 / 92                                     | 43 / 92  | 42 / 92   | 40 / 91  | 38 / 91  | -        | -        | -        | -        | -        | -        |
| 660  | 45 / 93                                     | 45 / 93  | 44 / 93   | 42 / 92  | 41 / 92  | 39 / 92  | -        | -        | -        | -        | -        |
| 680  | 47 / 94                                     | 47 / 94  | 46 / 93   | 44 / 93  | 43 / 93  | 42 / 92  | 41 / 92  | -        | -        | -        | -        |
| 720  | 52 / 95                                     | 52 / 95  | 51 / 95   | 49 / 95  | 48 / 95  | 46 / 94  | 45 / 94  | -        | -        | -        | -        |
| 760  | 57 / 97                                     | 57 / 97  | 56 / 97   | 54 / 97  | 53 / 96  | 52 / 96  | 51 / 96  | 50 / 96  | -        | -        | -        |
| 780  | 59 / 98                                     | 59 / 98  | 59 / 98   | 57 / 97  | 56 / 97  | 54 / 97  | 54 / 97  | 53 / 97  | -        | -        | -        |
| 820  | 64 / 99                                     | 64 / 99  | 64 / 99   | 63 / 99  | 61 / 99  | 60 / 99  | 60 / 98  | 59 / 98  | 58 / 98  | 58 / 98  | -        |
| 860  | 70 / 101                                    | 70 / 101 | 70 / 101  | 69 / 100 | 68 / 100 | 67 / 100 | 66 / 100 | 66 / 100 | 65 / 100 | 64 / 99  | 64 / 99  |
| 880  | 73 / 101                                    | 73 / 101 | 73 / 101  | 72 / 101 | 71 / 101 | 71 / 101 | 70 / 101 | 69 / 101 | 68 / 100 | 67 / 100 | 67 / 100 |
| 900  | 77 / 102                                    | 77 / 102 | 77 / 102  | 76 / 102 | 75 / 102 | 75 / 102 | 74 / 101 | 73 / 101 | 72 / 101 | 71 / 101 | 70 / 101 |
| 940  | 85 / 103                                    | 85 / 103 | 85 / 103  | 84 / 103 | 83 / 103 | 82 / 103 | 81 / 103 | 80 / 103 | 79 / 103 | 79 / 102 | 78 / 102 |
| 960  | 89 / 104                                    | 89 / 104 | 89 / 104  | 89 / 104 | 88 / 104 | 87 / 104 | 86 / 104 | 85 / 103 | 84 / 103 | 83 / 103 | 82 / 103 |
| 980  | 94 / 105                                    | 94 / 105 | 94 / 105  | 93 / 105 | 92 / 105 | 91 / 104 | 90 / 104 | 89 / 104 | 88 / 104 | 87 / 104 | 86 / 104 |
| 1000 | 99 / 105                                    | 99 / 105 | 99 / 105  | 98 / 105 | 97 / 105 | 96 / 105 | 94 / 105 | 93 / 105 | 92 / 105 | 91 / 104 | 90 / 104 |

The sound ratings shown are loudness values in fan sones at 1.5 m (5 ft) in a hemispherical free field calculated per AMCA International Standard 301. Values shown are for: Installation Type A: free inlet hemispherical sone levels.



S&P USA Ventilation Systems, LLC., Div. of Soler & Palau Ventilation Group certifies that the Models TDB shown herein are licensed to bear the AMCA Seal. The ratings shown are based on test and procedures performed in accordance with AMCA Publication 211 and AMCA Publication 311 and comply with the requirement of the AMCA Certified Ratings Program.



**Size 54**

| RPM | Sound Performance Sones / LwA (Inches w.g.) |           |           |          |          |          |          |          |          |          |          |
|-----|---|-----------|-----------|----------|----------|----------|----------|----------|----------|----------|----------|
|     | 0   | 0.125     | 0.25      | 0.375    | 0.5      | 0.625    | 0.75     | 0.875    | 1        | 1.125    | 1.5      |
| 460 | 29 / 87                                     | 27 / 86   | 25 / 85   | -        | -        | -        | -        | -        | -        | -        | -        |
| 480 | 31 / 88                                     | 29 / 87   | 28 / 87   | -        | -        | -        | -        | -        | -        | -        | -        |
| 500 | 33 / 89                                     | 32 / 89   | 30 / 88   | 29 / 87  | -        | -        | -        | -        | -        | -        | -        |
| 520 | 36 / 90                                     | 34 / 90   | 33 / 89   | 31 / 88  | -        | -        | -        | -        | -        | -        | -        |
| 560 | 42 / 93                                     | 40 / 92   | 38 / 92   | 37 / 91  | -        | -        | -        | -        | -        | -        | -        |
| 580 | 44 / 93                                     | 43 / 93   | 41 / 93   | 39 / 92  | -        | -        | -        | -        | -        | -        | -        |
| 600 | 47 / 95                                     | 45 / 94   | 44 / 94   | 42 / 93  | 41 / 93  | -        | -        | -        | -        | -        | -        |
| 620 | 50 / 96                                     | 48 / 95   | 47 / 95   | 45 / 94  | 44 / 94  | -        | -        | -        | -        | -        | -        |
| 660 | 56 / 97                                     | 55 / 97   | 53 / 97   | 51 / 96  | 50 / 96  | 48 / 95  | -        | -        | -        | -        | -        |
| 680 | 60 / 98                                     | 58 / 98   | 56 / 97   | 55 / 97  | 53 / 97  | 51 / 96  | -        | -        | -        | -        | -        |
| 700 | 63 / 99                                     | 62 / 99   | 60 / 98   | 58 / 98  | 56 / 98  | 55 / 97  | -        | -        | -        | -        | -        |
| 720 | 66 / 100                                    | 65 / 100  | 63 / 99   | 62 / 99  | 60 / 99  | 58 / 98  | 57 / 98  | -        | -        | -        | -        |
| 740 | 70 / 101                                    | 68 / 101  | 67 / 100  | 65 / 100 | 64 / 100 | 62 / 99  | 60 / 99  | -        | -        | -        | -        |
| 760 | 74 / 102                                    | 72 / 101  | 71 / 101  | 69 / 101 | 67 / 100 | 66 / 100 | 64 / 100 | -        | -        | -        | -        |
| 780 | 78 / 102                                    | 76 / 102  | 75 / 102  | 73 / 101 | 71 / 101 | 69 / 101 | 68 / 101 | 66 / 100 | -        | -        | -        |
| 800 | 82 / 103                                    | 80 / 103  | 78 / 103  | 76 / 102 | 75 / 102 | 74 / 102 | 72 / 101 | 70 / 101 | -        | -        | -        |
| 840 | 90 / 105                                    | 89 / 104  | 87 / 104  | 85 / 104 | 84 / 104 | 82 / 103 | 80 / 103 | 79 / 103 | 77 / 102 | -        | -        |
| 860 | 95 / 105                                    | 93 / 105  | 91 / 105  | 89 / 104 | 88 / 104 | 86 / 104 | 85 / 104 | 83 / 104 | 81 / 103 | 79 / 103 | -        |
| 880 | 99 / 106                                    | 97 / 106  | 96 / 105  | 94 / 105 | 93 / 105 | 91 / 105 | 89 / 105 | 87 / 104 | 86 / 104 | 84 / 104 | -        |
| 900 | 104 / 106                                   | 103 / 107 | 100 / 106 | 98 / 106 | 97 / 106 | 96 / 106 | 94 / 105 | 92 / 105 | 90 / 105 | 89 / 105 | 87 / 104 |

The sound ratings shown are loudness values in fan sones at 1.5 m (5 ft) in a hemispherical free field calculated per AMCA International Standard 301. Values shown are for: Installation Type A: free inlet hemispherical sone levels.



S&P USA Ventilation Systems, LLC., Div. of Soler & Palau Ventilation Group certifies that the Models TDB shown herein are licensed to bear the AMCA Seal. The ratings shown are based on test and procedures performed in accordance with AMCA Publication 211 and AMCA Publication 311 and comply with the requirement of the AMCA Certified Ratings Program.



**Size 60**

| RPM | Sound Performance Sones / LwA (Inches w.g.) |          |          |          |          |          |          |          |          |           |
|-----|---|----------|----------|----------|----------|----------|----------|----------|----------|-----------|
|     | 0   | 0.125    | 0.25     | 0.375    | 0.5      | 0.625    | 0.75     | 0.875    | 1        | 1.125     |
| 520 | 34 / 89                                     | 30 / 87  | 29 / 87  | 32 / 87  | -        | -        | -        | -        | -        | -         |
| 540 | 37 / 90                                     | 33 / 89  | 31 / 88  | 34 / 88  | -        | -        | -        | -        | -        | -         |
| 560 | 40 / 91                                     | 36 / 90  | 33 / 89  | 36 / 89  | 38 / 89  | -        | -        | -        | -        | -         |
| 580 | 43 / 92                                     | 39 / 91  | 36 / 90  | 39 / 90  | 41 / 90  | -        | -        | -        | -        | -         |
| 600 | 46 / 93                                     | 42 / 92  | 39 / 91  | 41 / 91  | 44 / 91  | 45 / 91  | -        | -        | -        | -         |
| 620 | 49 / 94                                     | 46 / 93  | 42 / 92  | 43 / 92  | 47 / 92  | 48 / 92  | -        | -        | -        | -         |
| 640 | 53 / 95                                     | 49 / 94  | 45 / 93  | 45 / 93  | 49 / 93  | 52 / 93  | -        | -        | -        | -         |
| 660 | 57 / 96                                     | 53 / 95  | 49 / 94  | 48 / 93  | 52 / 94  | 56 / 94  | -        | -        | -        | -         |
| 680 | 60 / 96                                     | 56 / 96  | 53 / 95  | 50 / 94  | 54 / 95  | 59 / 95  | 60 / 95  | -        | -        | -         |
| 700 | 64 / 97                                     | 60 / 97  | 56 / 96  | 53 / 95  | 57 / 95  | 62 / 96  | 64 / 96  | -        | -        | -         |
| 720 | 69 / 98                                     | 64 / 97  | 60 / 97  | 57 / 96  | 59 / 96  | 64 / 97  | 69 / 97  | 69 / 97  | -        | -         |
| 740 | 72 / 99                                     | 68 / 98  | 64 / 98  | 60 / 97  | 62 / 97  | 67 / 97  | 73 / 98  | 74 / 98  | -        | -         |
| 760 | 75 / 100                                    | 71 / 99  | 67 / 98  | 64 / 98  | 63 / 98  | 69 / 98  | 75 / 98  | 78 / 99  | 78 / 99  | -         |
| 780 | 78 / 101                                    | 74 / 100 | 71 / 99  | 67 / 99  | 65 / 98  | 70 / 99  | 76 / 99  | 81 / 99  | 81 / 99  | -         |
| 800 | 82 / 101                                    | 78 / 101 | 74 / 100 | 70 / 99  | 67 / 99  | 72 / 99  | 77 / 100 | 83 / 100 | 85 / 100 | -         |
| 820 | 85 / 102                                    | 81 / 101 | 77 / 101 | 74 / 100 | 71 / 100 | 74 / 100 | 79 / 100 | 85 / 101 | 89 / 101 | -         |
| 840 | 89 / 103                                    | 85 / 102 | 81 / 102 | 77 / 101 | 74 / 100 | 76 / 100 | 80 / 101 | 86 / 101 | 92 / 102 | 92 / 102  |
| 860 | 93 / 103                                    | 89 / 103 | 85 / 102 | 81 / 102 | 78 / 101 | 77 / 101 | 82 / 101 | 88 / 102 | 94 / 102 | 96 / 102  |
| 880 | 96 / 104                                    | 92 / 104 | 89 / 103 | 85 / 103 | 81 / 102 | 80 / 102 | 84 / 102 | 89 / 102 | 96 / 103 | 100 / 103 |
| 900 | 100 / 105                                   | 96 / 104 | 92 / 104 | 89 / 103 | 85 / 103 | 82 / 102 | 86 / 103 | 91 / 103 | 97 / 103 | 104 / 104 |

The sound ratings shown are loudness values in fan sones at 1.5 m (5 ft) in a hemispherical free field calculated per AMCA International Standard 301. Values shown are for: Installation Type A: free inlet hemispherical sone levels.



S&P USA Ventilation Systems, LLC., Div. of Soler & Palau Ventilation Group certifies that the Models TDB shown herein are licensed to bear the AMCA Seal. The ratings shown are based on test and procedures performed in accordance with AMCA Publication 211 and AMCA Publication 311 and comply with the requirement of the AMCA Certified Ratings Program.