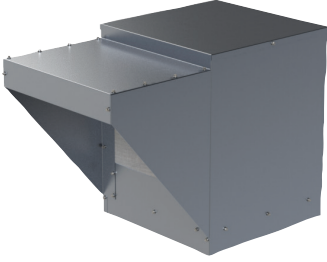




# MODEL KSFV

## KITCHEN SUPPLY FAN



### **MODEL FEATURES**

- Supply air up to 12,600 CFM and static pressure capabilities to 2.5" w.g.
- Heavy-galvanized construction
- Belt drives permit easy performance adjustments when needed
- Forward curved centrifugal blower for efficient air flow at low sound levels
- Filters are washable and reusable

### **MODEL OVERVIEW**

Model KSFV fans are roof curb or curb cap mounted filtered supply fans rated from 475 to over 12,000 CFM, static pressure capabilities to 2.5". They are specifically designed for filtered make-up air in kitchen hood applications. Model KSFV's rugged design with heavy-gauge galvanized construction provides maximum weather protection, long life and the utmost in performance efficiency. The forward curved centrifugal blower provides efficient air flow at low sound levels with static pressure capabilities to handle ducted air systems or hoods within a building. The filters are washable and are reusable to reduce maintenance costs.

The primary use of these fans is for filtered make-up air in kitchen hood applications but may also be specified for make-up air in commercial and industrial applications such as manufacturing and assembly areas.

Model KSFV is available in our Quickship program. Sizes 9-18 are available for next day or 3-day shipping from stock.



### **CONSTRUCTION/SPECIFICATION CHECKLIST**

#### **Blower**

- Statically and dynamically balanced forward curved wheel.
- 12-gauge galvanized steel blower plate/discharge opening.
- 18-gauge galvanized steel housing.
- Prepunched mounting holes.
- Conduit opening for wiring from below unit.

#### **Motors**

- 1 year warranty.
- Single speed open drip-proof are standard.
- Explosion-proof, totally enclosed and two-speed motors are available.
- All motors are rated for continuous duty.
- 182T and larger motors shipped unmounted for field installation.
- Disconnect switch standard with single speed drip-proof and totally enclosed motors.

#### **Hood**

- Heavy-gauge galvanized steel hood.
- 1 inch washable aluminum mesh filters.

#### **Drives**

- Adjustable motor pulleys are standard.
- Sized for minimum 150% of drive horsepower.
- Machined cast iron adjustable motor pulleys.
- Pivoting motor plate for belt tensioning.
- Nonstatic oil resistant V-belts.

#### **Certifications**

- AMCA Air and Sound Licensed.
- cULus Standard 705 Listed Power Roof Ventilator label assures electrical reliability.

All specifications are subject to change without notice unless approved in submittal by S&P.

**Industry best 2 year fan housing warranty, 1 year motor warranty**

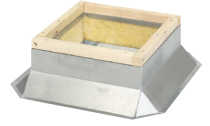


## OPTIONS/ACCESSORIES

**Insulated Hood:** High performance and ecologically friendly fiberglass free insulation only.

**Intake Extension:** Extensions are available for all size KSFV fans to provide NFPA required clearance from the exhaust fan on factory supplied common curbs. Extensions are made from heavy-gauge galvanized steel and require equipment supports on the intake end.

**Roof Curb:** Prefabricated heavy-gauge galvanized steel, welded construction, 12" high with 1-1/2" wood nailer. Options include single and double pitch construction and additional curb heights.



**Motor Operated Damper:** Motor operated aluminum damper for positive closure against backdraft.

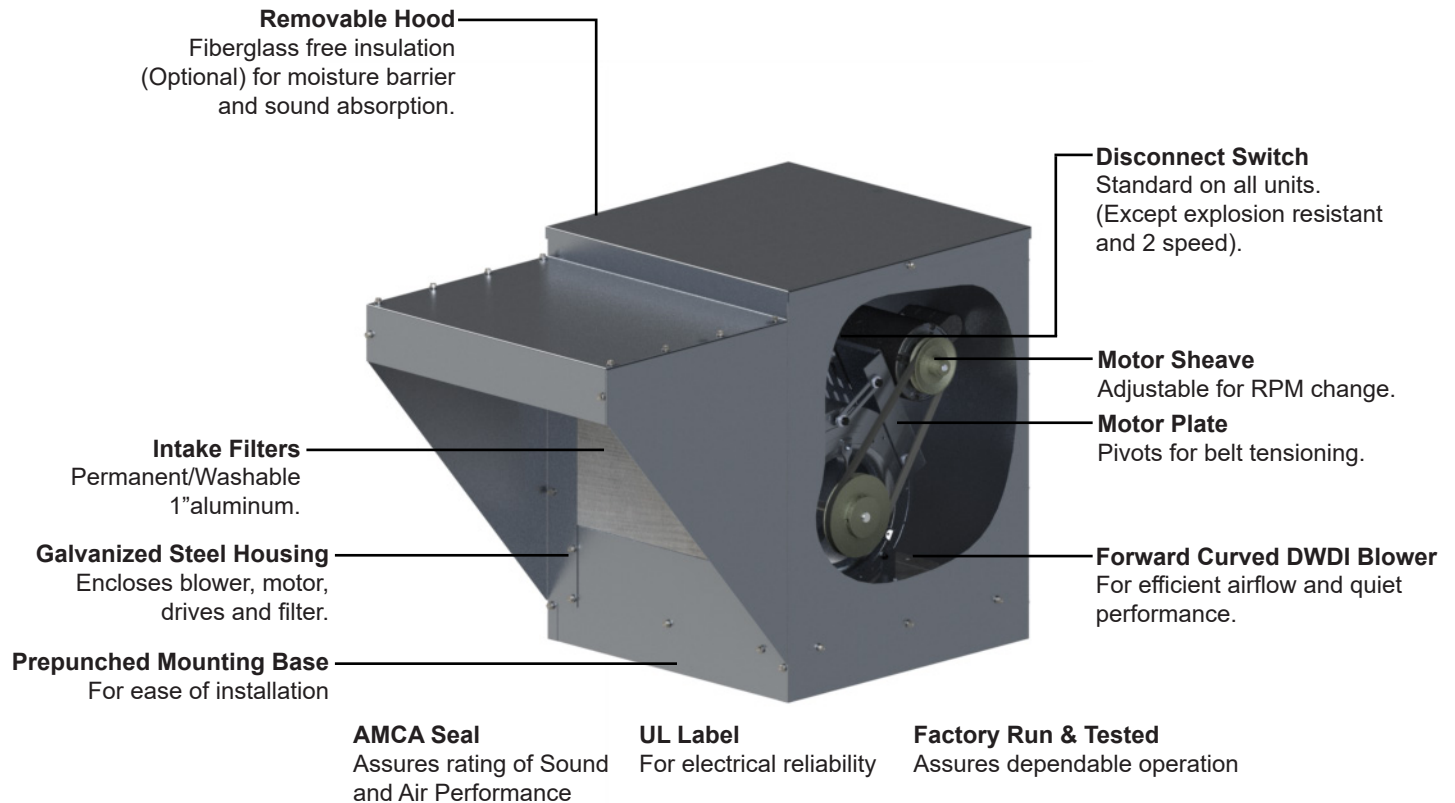


**Automatic Damper:** Automatic aluminum damper for ease in installation and effective backdraft protection (counter balanced).

**Duct Adapter:** For ease in connecting discharge duct to fan outlet.

**Common Curb:** Designed to allow both the supply fan and exhaust fan to be mounted on the same curb. This curb requires only one roof opening and speeds installation time.

**Special Coatings:** For protective and decorative purposes. Available coatings include: Epoxy, Synthetic Resin, and Heresite (air-dried phenolic). Contact your S&P representative or the factory for more information on available coatings and colors.





# PERFORMANCE/DIMENSIONS

## KSFV9

MODEL KSFV	CFM	OV		Static Pressure in Inches w.g.									
				1/8	1/4	3/8	1/2	5/8	3/4	1	1 1/4	1 1/2	
9	475	534	RPM	466	-	-	-	-	-	-	-	-	-
			BHP	0.03	-	-	-	-	-	-	-	-	-
			SONES	6.4	-	-	-	-	-	-	-	-	-
	575	646	RPM	503	-	-	-	-	-	-	-	-	-
			BHP	0.04	-	-	-	-	-	-	-	-	-
			SONES	8.0	-	-	-	-	-	-	-	-	-
	675	758	RPM	541	661	-	-	-	-	-	-	-	-
			BHP	0.05	0.08	-	-	-	-	-	-	-	-
			SONES	9.8	16.5	-	-	-	-	-	-	-	-
	775	871	RPM	578	697	-	-	-	-	-	-	-	-
			BHP	0.07	0.10	-	-	-	-	-	-	-	-
			SONES	11.9	19.3	-	-	-	-	-	-	-	-
	875	983	RPM	623	735	826	-	-	-	-	-	-	-
			BHP	0.09	0.12	0.16	-	-	-	-	-	-	-
			SONES	15.0	22.2	27.2	-	-	-	-	-	-	-
	975	1096	RPM	671	772	863	941	-	-	-	-	-	-
			BHP	0.12	0.15	0.19	0.23	-	-	-	-	-	-
			SONES	19.0	23.9	29.0	33.5	-	-	-	-	-	-
	1075	1208	RPM	719	809	901	978	1047	-	-	-	-	-
			BHP	0.15	0.19	0.23	0.27	0.31	-	-	-	-	-
			SONES	23.8	26.1	30.9	35.3	39.7	-	-	-	-	-
	1175	1320	RPM	762	851	939	1014	1083	1146	-	-	-	-
			BHP	0.18	0.23	0.27	0.32	0.36	0.41	-	-	-	-
			SONES	26.9	29.1	32.8	37.4	41.8	46.2	-	-	-	-
	1275	1433	RPM	807	898	976	1052	1121	1182	-	-	-	-
			BHP	0.22	0.27	0.32	0.37	0.42	0.47	-	-	-	-
			SONES	30.0	32.5	34.9	39.6	44.1	48.6	-	-	-	-
1375	1545	RPM	857	948	1015	1091	1158	1219	1330	-	-	-	
		BHP	0.27	0.33	0.37	0.43	0.48	0.54	0.64	-	-	-	
		SONES	33.4	36.1	37.9	41.9	46.5	52.3	66.0	-	-	-	
1475	1657	RPM	910	997	1059	1127	1196	1257	1366	1464	-	-	
		BHP	0.33	0.39	0.44	0.49	0.56	0.61	0.72	0.83	-	-	
		SONES	37.2	39.8	41.5	44.2	49.6	56.4	70.9	86.7	-	-	
1575	1770	RPM	962	1041	1107	1166	1232	1295	1403	1500	1592	-	
		BHP	0.40	0.46	0.51	0.57	0.63	0.69	0.81	0.93	1.05	-	
		SONES	41.3	43.3	45.5	47.7	53.5	61.0	76.4	89.3	99.2	-	
1675	1882	RPM	1016	1084	1156	1210	1270	1333	1441	1537	-	-	
		BHP	0.47	0.53	0.60	0.65	0.71	0.78	0.91	1.04	-	-	
		SONES	45.6	46.8	49.8	52.9	58.3	65.6	82.5	92.3	-	-	
1975	2219	RPM	1177	1228	1294	1355	1401	1447	-	-	-	-	
		BHP	0.75	0.81	0.89	0.97	1.03	1.10	-	-	-	-	
		SONES	60.3	62.2	68.4	75.0	80.1	84.4	-	-	-	-	
2075	2331	RPM	1232	1281	1338	1404	-	-	-	-	-	-	
		BHP	0.86	0.93	1.00	1.09	-	-	-	-	-	-	
		SONES	68.1	70.6	75.8	84.8	-	-	-	-	-	-	
2175	2444	RPM	1286	1333	1383	-	-	-	-	-	-	-	
		BHP	0.99	1.05	1.12	-	-	-	-	-	-	-	
		SONES	77.2	80.3	84.9	-	-	-	-	-	-	-	
2275	2556	RPM	1340	-	-	-	-	-	-	-	-	-	
		BHP	1.12	-	-	-	-	-	-	-	-	-	
		SONES	88.6	-	-	-	-	-	-	-	-	-	



S&P USA Ventilation Systems, LLC., Div. of Soler & Palau Ventilation Group, certifies that the Models KSFV shown herein are licensed to bear the AMCA Seal. The ratings shown are based on test and procedures performed in accordance with AMCA Publication 211 and AMCA Publication 311 and comply with the requirement of the AMCA Certified Ratings Program.



Performance certified is for installation type B: free inlet, ducted outlet. Power rating (BHP) does not include transmission losses. Performance ratings do not include the effects of appurtenances (accessories). The sound ratings shown are loudness values in fan sones at a distance of 1.5 m (5 ft) in a hemispherical free field calculated per AMCA International Standard 301. Values shown are for installation type B: ducted outlet hemispherical sone levels. Ratings do not include the effect of duct end correction.



**KSFV10**

MODEL KSFV	CFM	OV		Static Pressure in Inches w.g.										
				1/8	1/4	3/8	1/2	5/8	3/4	1	1 1/4	1 1/2	2	
10	950	896	RPM	409	524	629	-	-	-	-	-	-	-	-
			BHP	0.06	0.10	0.14	-	-	-	-	-	-	-	-
			SONES	5.4	5.9	8.7	-	-	-	-	-	-	-	-
	1090	1028	RPM	435	540	636	726	-	-	-	-	-	-	-
			BHP	0.09	0.12	0.16	0.21	-	-	-	-	-	-	-
			SONES	7.3	7.0	9.2	12.5	-	-	-	-	-	-	-
	1230	1160	RPM	463	561	648	733	812	887	-	-	-	-	-
			BHP	0.11	0.15	0.20	0.24	0.29	0.35	-	-	-	-	-
			SONES	8.6	8.4	10.1	12.9	16.3	18.6	-	-	-	-	-
	1370	1292	RPM	494	583	666	743	819	891	-	-	-	-	-
BHP			0.14	0.19	0.24	0.28	0.34	0.39	-	-	-	-	-	
SONES			9.9	10.3	11.4	13.8	16.8	18.9	-	-	-	-	-	
1510	1425	RPM	527	608	687	760	829	897	1026	-	-	-	-	
		BHP	0.18	0.23	0.28	0.33	0.39	0.45	0.57	-	-	-	-	
		SONES	11.5	12.7	13.1	15.1	17.4	19.3	23.7	-	-	-	-	
1650	1557	RPM	560	636	710	779	845	907	1031	1146	-	-	-	
		BHP	0.23	0.28	0.34	0.39	0.45	0.51	0.64	0.78	-	-	-	
		SONES	13.1	14.3	15.0	16.7	18.4	20.0	24.1	28.4	-	-	-	
1790	1689	RPM	594	666	734	801	864	923	1039	1151	1255	-	-	
		BHP	0.28	0.34	0.40	0.46	0.52	0.58	0.72	0.86	1.01	-	-	
		SONES	15.0	15.9	17.4	18.5	19.8	21.0	24.7	28.7	33.5	-	-	
1930	1821	RPM	629	697	761	823	884	941	1050	1157	1259	-	-	
		BHP	0.34	0.40	0.47	0.53	0.59	0.66	0.80	0.95	1.11	-	-	
		SONES	16.9	17.7	19.3	20.5	21.3	22.3	25.4	29.3	33.9	-	-	
2070	1953	RPM	664	729	789	848	906	962	1066	1167	1266	1449	-	
		BHP	0.41	0.48	0.54	0.61	0.68	0.75	0.90	1.05	1.22	1.56	-	
		SONES	18.8	19.7	21.1	22.6	22.9	23.9	26.6	30.0	34.5	46.2	-	
2210	2085	RPM	700	762	819	875	930	983	1085	1180	1274	1453	-	
		BHP	0.49	0.56	0.63	0.70	0.78	0.85	1.00	1.16	1.33	1.69	-	
		SONES	20.6	21.6	22.9	24.2	24.8	25.6	28.0	31.0	35.3	46.6	-	
2350	2217	RPM	737	796	851	903	955	1006	1105	1196	1285	1459	-	
		BHP	0.58	0.66	0.73	0.81	0.88	0.96	1.12	1.28	1.46	1.83	-	
		SONES	22.5	23.6	24.5	25.7	27.1	27.5	29.6	32.3	36.4	47.2	-	
2490	2349	RPM	774	830	883	932	982	1031	1126	1215	1300	1467	-	
		BHP	0.68	0.77	0.84	0.92	1.00	1.08	1.25	1.42	1.60	1.98	-	
		SONES	24.5	25.6	26.3	27.3	28.7	29.7	31.3	33.9	37.8	48.1	-	
2630	2481	RPM	811	865	916	963	1010	1057	1148	1236	1318	1477	-	
		BHP	0.80	0.88	0.96	1.05	1.13	1.22	1.39	1.57	1.75	2.14	-	
		SONES	26.6	27.6	28.2	29.1	30.3	31.7	33.2	36.0	39.6	49.2	-	
2770	2613	RPM	849	900	949	995	1040	1084	1172	1257	1337	-	-	
		BHP	0.92	1.01	1.10	1.18	1.27	1.36	1.54	1.73	1.92	-	-	
		SONES	28.5	29.7	30.3	31.0	32.1	33.4	35.6	38.2	41.6	-	-	
2910	2745	RPM	887	935	983	1027	1070	1113	1196	1279	1358	-	-	
		BHP	1.06	1.15	1.25	1.33	1.43	1.52	1.71	1.90	2.10	-	-	
		SONES	30.5	31.7	32.4	33.0	34.0	35.3	38.3	40.5	43.8	-	-	
3050	2877	RPM	925	971	1017	1060	1102	1142	1223	1301	1379	-	-	
		BHP	1.21	1.31	1.41	1.50	1.59	1.69	1.89	2.09	2.30	-	-	
		SONES	32.7	33.8	34.7	35.4	36.3	37.6	40.9	43.0	46.1	-	-	
3190	3009	RPM	964	1007	1052	1094	1134	1173	1250	1326	-	-	-	
		BHP	1.38	1.48	1.58	1.68	1.78	1.88	2.08	2.29	-	-	-	
		SONES	35.0	36.1	37.2	38.0	38.8	40.1	43.2	46.1	-	-	-	
3330	3142	RPM	1003	1044	1087	1127	1167	1204	1279	-	-	-	-	
		BHP	1.56	1.66	1.77	1.87	1.97	2.08	2.29	-	-	-	-	
		SONES	37.4	38.5	39.8	40.5	41.3	42.5	45.6	-	-	-	-	
3470	3274	RPM	1042	1080	1122	1161	1200	1237	-	-	-	-	-	
		BHP	1.76	1.86	1.98	2.08	2.19	2.30	-	-	-	-	-	
		SONES	40.0	41.0	42.4	43.1	43.9	45.3	-	-	-	-	-	
3610	3406	RPM	1081	1117	1157	-	-	-	-	-	-	-	-	
		BHP	1.97	2.07	2.20	-	-	-	-	-	-	-	-	
		SONES	42.6	43.6	45.0	-	-	-	-	-	-	-	-	
3750	3538	RPM	1120	-	-	-	-	-	-	-	-	-	-	
		BHP	2.20	-	-	-	-	-	-	-	-	-	-	
		SONES	45.5	-	-	-	-	-	-	-	-	-	-	



S&P USA Ventilation Systems, LLC., Div. of Soler & Palau Ventilation Group, certifies that the Models KSFV shown herein are licensed to bear the AMCA Seal. The ratings shown are based on test and procedures performed in accordance with AMCA Publication 211 and AMCA Publication 311 and comply with the requirement of the AMCA Certified Ratings Program.



Performance certified is for installation type B: free inlet, ducted outlet. Power rating (BHP) does not include transmission losses. Performance ratings do not include the effects of appurtenances (accessories). The sound ratings shown are loudness values in fan sones at a distance of 1.5 m (5 ft) in a hemispherical free field calculated per AMCA International Standard 301. Values shown are for installation type B: ducted outlet hemispherical sone levels. Ratings do not include the effect of duct end correction.



**KSFV12**

MODEL KSFV	CFM	OV		Static Pressure in Inches w.g.								
				1/8	1/4	3/8	1/2	5/8	3/4	1	1 1/4	1 1/2
1150	737	RPM	366	-	-	-	-	-	-	-	-	-
		BHP	0.08	-	-	-	-	-	-	-	-	-
		SONES	6.5	-	-	-	-	-	-	-	-	-
1345	862	RPM	383	-	-	-	-	-	-	-	-	-
		BHP	0.11	-	-	-	-	-	-	-	-	-
		SONES	7.9	-	-	-	-	-	-	-	-	-
1540	987	RPM	407	507	-	-	-	-	-	-	-	-
		BHP	0.14	0.21	-	-	-	-	-	-	-	-
		SONES	9.1	10.7	-	-	-	-	-	-	-	-
1735	1112	RPM	436	527	-	-	-	-	-	-	-	-
		BHP	0.19	0.26	-	-	-	-	-	-	-	-
		SONES	10.6	12.4	-	-	-	-	-	-	-	-
1930	1237	RPM	467	545	626	-	-	-	-	-	-	-
		BHP	0.24	0.31	0.41	-	-	-	-	-	-	-
		SONES	12.3	14.1	15.8	-	-	-	-	-	-	-
2125	1362	RPM	499	568	645	711	-	-	-	-	-	-
		BHP	0.31	0.38	0.48	0.57	-	-	-	-	-	-
		SONES	14.1	15.6	17.7	20.1	-	-	-	-	-	-
2320	1487	RPM	531	596	663	733	788	-	-	-	-	-
		BHP	0.39	0.46	0.54	0.68	0.76	-	-	-	-	-
		SONES	16.1	17.5	19.6	21.7	23.3	-	-	-	-	-
2515	1612	RPM	565	626	685	750	811	-	-	-	-	-
		BHP	0.48	0.56	0.64	0.76	0.90	-	-	-	-	-
		SONES	18.3	19.6	21.3	23.0	24.9	-	-	-	-	-
2710	1737	RPM	599	657	711	769	830	884	-	-	-	-
		BHP	0.59	0.67	0.76	0.85	1.01	1.14	-	-	-	-
		SONES	20.5	21.8	23.1	24.9	26.3	28.0	-	-	-	-
2905	1862	RPM	634	689	739	791	847	903	-	-	-	-
		BHP	0.71	0.80	0.89	0.99	1.11	1.29	-	-	-	-
		SONES	22.9	24.0	25.1	26.5	28.1	29.6	-	-	-	-
3100	1987	RPM	670	721	770	817	867	920	1017	-	-	-
		BHP	0.85	0.95	1.05	1.14	1.25	1.41	1.73	-	-	-
		SONES	25.3	26.2	27.2	28.3	30.0	31.4	34.8	-	-	-
3295	2112	RPM	706	753	801	845	890	939	1038	1116	-	-
		BHP	1.01	1.11	1.22	1.32	1.42	1.55	1.93	2.16	-	-
		SONES	27.8	28.4	29.4	30.3	31.7	33.5	37.1	41.0	-	-
3490	2237	RPM	743	787	833	875	916	961	1055	1140	-	-
		BHP	1.18	1.29	1.41	1.52	1.63	1.74	2.09	2.45	-	-
		SONES	30.1	30.7	31.6	32.6	33.8	35.4	39.0	43.5	-	-
3685	2362	RPM	779	821	864	906	945	985	1072	1160	1232	-
		BHP	1.38	1.50	1.62	1.73	1.85	1.96	2.26	2.70	2.97	-
		SONES	32.6	33.2	34.1	35.1	36.1	37.5	40.9	45.8	50.4	-
3880	2487	RPM	816	855	897	938	975	1011	1092	1178	1255	-
		BHP	1.60	1.72	1.84	1.97	2.09	2.21	2.48	2.90	3.31	-
		SONES	35.4	35.9	36.7	37.7	38.7	39.8	43.2	47.9	53.2	-
4075	2612	RPM	854	891	929	969	1006	1041	1115	1195	-	-
		BHP	1.84	1.96	2.09	2.23	2.36	2.48	2.75	3.11	-	-
		SONES	38.2	38.7	39.4	40.4	41.4	42.4	45.4	50.0	-	-
4270	2737	RPM	891	926	963	1001	1037	1071	1139	1214	-	-
		BHP	2.10	2.23	2.37	2.51	2.65	2.78	3.05	3.35	-	-
		SONES	41.1	41.5	42.2	43.2	44.2	45.2	47.9	52.3	-	-
4465	2862	RPM	928	962	997	1033	1068	1102	1166	-	-	-
		BHP	2.39	2.52	2.67	2.81	2.96	3.10	3.38	-	-	-
		SONES	44.2	44.6	45.2	46.1	47.2	48.3	50.7	-	-	-
4660	2987	RPM	966	999	1032	1065	1100	1133	-	-	-	-
		BHP	2.71	2.84	2.99	3.15	3.30	3.45	-	-	-	-
		SONES	47.4	47.7	48.4	49.3	50.4	51.5	-	-	-	-
4855	3112	RPM	1004	1035	1067	-	-	-	-	-	-	-
		BHP	3.05	3.19	3.35	-	-	-	-	-	-	-
		SONES	50.8	51.2	51.8	-	-	-	-	-	-	-

12



S&P USA Ventilation Systems, LLC., Div. of Soler & Palau Ventilation Group, certifies that the Models KSFV shown herein are licensed to bear the AMCA Seal. The ratings shown are based on test and procedures performed in accordance with AMCA Publication 211 and AMCA Publication 311 and comply with the requirement of the AMCA Certified Ratings Program.



Performance certified is for installation type B: free inlet, ducted outlet. Power rating (BHP) does not include transmission losses. Performance ratings do not include the effects of appurtenances (accessories). The sound ratings shown are loudness values in fan zones at a distance of 1.5 m (5 ft) in a hemispherical free field calculated per AMCA International Standard 301. Values shown are for installation type B: ducted outlet hemispherical zone levels. Ratings do not include the effect of duct end correction.



**KSFV15**

MODEL KSFV	CFM	OV		Static Pressure in Inches w.g.									
				1/8	1/4	3/8	1/2	5/8	3/4	1	1 1/4	1 1/2	2
1625	789	RPM	299	-	-	-	-	-	-	-	-	-	-
		BHP	0.11	-	-	-	-	-	-	-	-	-	-
		SONES	5.8	-	-	-	-	-	-	-	-	-	-
1911	928	RPM	323	394	-	-	-	-	-	-	-	-	-
		BHP	0.15	0.21	-	-	-	-	-	-	-	-	-
		SONES	8.1	6.7	-	-	-	-	-	-	-	-	-
2197	1067	RPM	348	414	475	-	-	-	-	-	-	-	-
		BHP	0.21	0.27	0.34	-	-	-	-	-	-	-	-
		SONES	9.6	9.2	9.0	-	-	-	-	-	-	-	-
2483	1205	RPM	375	438	491	546	-	-	-	-	-	-	-
		BHP	0.28	0.36	0.43	0.51	-	-	-	-	-	-	-
		SONES	11.3	12.9	10.8	12.1	-	-	-	-	-	-	-
2769	1344	RPM	405	462	513	561	610	-	-	-	-	-	-
		BHP	0.37	0.45	0.54	0.62	0.71	-	-	-	-	-	-
		SONES	13.3	14.6	14.1	13.9	15.7	-	-	-	-	-	-
3055	1483	RPM	436	488	538	581	625	670	-	-	-	-	-
		BHP	0.48	0.57	0.66	0.75	0.84	0.94	-	-	-	-	-
		SONES	15.4	16.6	18.3	16.6	17.2	18.1	-	-	-	-	-
3341	1622	RPM	468	514	562	605	644	684	-	-	-	-	-
		BHP	0.61	0.70	0.81	0.91	1.00	1.11	-	-	-	-	-
		SONES	17.7	18.7	20.3	20.3	19.6	19.6	-	-	-	-	-
3627	1761	RPM	500	543	587	629	667	703	778	-	-	-	-
		BHP	0.76	0.86	0.97	1.08	1.19	1.29	1.52	-	-	-	-
		SONES	20.1	21.0	22.5	23.9	22.4	22.0	23.0	-	-	-	-
3913	1900	RPM	533	572	613	653	691	726	793	863	-	-	-
		BHP	0.94	1.04	1.16	1.28	1.40	1.51	1.75	2.01	-	-	-
		SONES	22.7	23.5	24.7	25.9	26.8	24.9	24.9	26.7	-	-	-
4199	2038	RPM	566	603	640	679	715	750	813	876	942	-	-
		BHP	1.14	1.25	1.37	1.51	1.64	1.76	2.00	2.26	2.55	-	-
		SONES	25.4	26.1	26.9	28.0	29.2	29.3	27.3	28.2	30.9	-	-
4485	2177	RPM	599	634	669	705	740	774	836	894	954	-	-
		BHP	1.37	1.49	1.62	1.76	1.90	2.03	2.29	2.56	2.85	-	-
		SONES	28.1	28.6	29.2	30.1	31.3	32.6	30.5	30.6	32.8	-	-
4771	2316	RPM	633	666	699	732	766	798	859	915	970	-	-
		BHP	1.64	1.77	1.89	2.03	2.19	2.33	2.61	2.89	3.18	-	-
		SONES	30.7	31.2	31.7	32.5	33.7	34.9	35.2	34.0	35.2	-	-
5057	2455	RPM	667	699	729	760	792	824	883	938	989	1096	-
		BHP	1.93	2.07	2.20	2.34	2.51	2.67	2.97	3.26	3.56	4.21	-
		SONES	33.5	33.9	34.4	35.2	36.3	37.5	40.0	38.0	38.3	43.2	-
5343	2594	RPM	701	731	760	789	819	850	908	962	1011	1110	-
		BHP	2.26	2.41	2.55	2.69	2.85	3.03	3.35	3.67	3.98	4.63	-
		SONES	36.4	36.9	37.5	38.1	39.0	40.2	42.7	42.7	42.2	45.6	-
5629	2733	RPM	735	764	792	820	847	876	932	985	1035	1128	-
		BHP	2.63	2.78	2.93	3.08	3.24	3.42	3.77	4.11	4.44	5.10	-
		SONES	39.5	40.0	40.5	41.1	41.9	43.0	45.5	47.9	46.6	48.7	-
5915	2871	RPM	769	797	824	850	876	903	958	1010	1059	1148	-
		BHP	3.03	3.19	3.35	3.51	3.67	3.85	4.23	4.59	4.93	5.62	-
		SONES	42.8	43.3	43.9	44.4	45.1	46.0	48.4	50.9	51.5	52.6	-
6201	3010	RPM	803	831	857	882	906	931	984	1034	1082	-	-
		BHP	3.48	3.65	3.81	3.98	4.15	4.32	4.72	5.10	5.47	-	-
		SONES	46.2	46.7	47.3	47.8	48.4	49.2	51.4	54.0	56.7	-	-
6487	3149	RPM	838	864	889	913	937	961	1010	1060	-	-	-
		BHP	3.97	4.14	4.32	4.49	4.66	4.84	5.24	5.65	-	-	-
		SONES	49.7	50.3	50.8	51.4	51.9	52.7	54.7	57.3	-	-	-
6773	3288	RPM	873	898	922	945	968	991	-	-	-	-	-
		BHP	4.50	4.68	4.87	5.05	5.22	5.41	-	-	-	-	-
		SONES	53.5	54.0	54.6	55.1	55.7	56.3	-	-	-	-	-
7059	3427	RPM	907	932	955	978	-	-	-	-	-	-	-
		BHP	5.07	5.27	5.46	5.65	-	-	-	-	-	-	-
		SONES	57.4	57.9	58.5	59.1	-	-	-	-	-	-	-

15



S&P USA Ventilation Systems, LLC., Div. of Soler & Palau Ventilation Group, certifies that the Models KSFV shown herein are licensed to bear the AMCA Seal. The ratings shown are based on test and procedures performed in accordance with AMCA Publication 211 and AMCA Publication 311 and comply with the requirement of the AMCA Certified Ratings Program.



Performance certified is for installation type B: free inlet, ducted outlet. Power rating (BHP) does not include transmission losses. Performance ratings do not include the effects of appurtenances (accessories). The sound ratings shown are loudness values in fan sones at a distance of 1.5 m (5 ft) in a hemispherical free field calculated per AMCA International Standard 301. Values shown are for installation type B: ducted outlet hemispherical sone levels. Ratings do not include the effect of duct end correction.



**KSFV18**

MODEL KSFV	CFM	OV		Static Pressure in Inches w.g.											
				1/8	1/4	3/8	1/2	5/8	3/4	1	1 1/4	1 1/2	2	2 1/2	
2200	759	RPM	270	333	-	-	-	-	-	-	-	-	-	-	-
		BHP	0.16	0.23	-	-	-	-	-	-	-	-	-	-	-
		SONES	7.4	9.2	-	-	-	-	-	-	-	-	-	-	-
2569	886	RPM	297	349	403	-	-	-	-	-	-	-	-	-	
		BHP	0.24	0.31	0.40	-	-	-	-	-	-	-	-	-	
		SONES	9.3	10.5	13.6	-	-	-	-	-	-	-	-	-	
2938	1013	RPM	321	369	419	464	-	-	-	-	-	-	-	-	
		BHP	0.33	0.41	0.50	0.60	-	-	-	-	-	-	-	-	
		SONES	11.3	12.6	15.0	17.0	-	-	-	-	-	-	-	-	
3307	1140	RPM	347	396	435	480	520	559	-	-	-	-	-	-	
		BHP	0.44	0.54	0.63	0.74	0.85	0.97	-	-	-	-	-	-	
		SONES	13.5	15.2	16.5	18.5	20.4	22.5	-	-	-	-	-	-	
3676	1268	RPM	375	422	458	495	536	572	-	-	-	-	-	-	
		BHP	0.57	0.69	0.79	0.89	1.02	1.14	-	-	-	-	-	-	
		SONES	15.9	17.5	18.6	19.9	21.9	23.9	-	-	-	-	-	-	
4045	1395	RPM	404	447	485	515	551	587	653	-	-	-	-	-	
		BHP	0.73	0.87	0.98	1.09	1.21	1.35	1.62	-	-	-	-	-	
		SONES	18.7	19.7	21.1	22.0	23.5	25.7	30.2	-	-	-	-	-	
4414	1522	RPM	434	472	511	541	570	603	667	726	-	-	-	-	
		BHP	0.93	1.07	1.21	1.33	1.44	1.58	1.88	2.18	-	-	-	-	
		SONES	21.2	22.0	23.3	24.4	25.6	27.6	32.1	37.0	-	-	-	-	
4783	1649	RPM	465	499	536	568	594	621	683	740	793	-	-		
		BHP	1.17	1.30	1.46	1.60	1.72	1.86	2.17	2.49	2.82	-	-		
		SONES	23.9	24.5	25.7	27.2	28.5	29.8	34.3	39.0	44.1	-	-		
5152	1777	RPM	496	526	561	594	621	645	699	755	807	-	-		
		BHP	1.44	1.57	1.75	1.91	2.05	2.18	2.49	2.84	3.18	-	-		
		SONES	26.6	27.2	28.3	30.1	31.5	32.8	36.4	41.3	46.2	-	-		
5521	1904	RPM	527	555	586	618	647	671	717	770	822	916	-		
		BHP	1.76	1.89	2.07	2.25	2.41	2.56	2.85	3.21	3.58	4.34	-		
		SONES	29.6	30.2	31.1	32.9	34.7	36.1	39.0	43.6	48.2	55.5	-		
5890	2031	RPM	559	585	613	643	673	698	740	788	838	929	1018		
		BHP	2.11	2.25	2.43	2.63	2.81	2.98	3.28	3.63	4.03	4.81	5.68		
		SONES	32.7	33.2	34.1	36.0	38.0	39.6	42.5	46.4	50.5	57.4	65.2		
6259	2158	RPM	591	615	641	669	697	724	766	807	853	944	1027		
		BHP	2.52	2.66	2.83	3.05	3.25	3.44	3.77	4.11	4.50	5.34	6.20		
		SONES	36.2	36.7	37.5	39.2	41.3	43.3	46.4	49.6	52.7	59.7	66.7		
6628	2286	RPM	622	646	669	695	722	749	793	831	872	960	1041		
		BHP	2.97	3.13	3.29	3.51	3.73	3.94	4.31	4.66	5.04	5.92	6.80		
		SONES	40.3	40.6	41.2	42.8	44.7	46.9	50.6	52.9	55.3	62.1	68.9		
6997	2413	RPM	654	677	699	722	748	773	820	857	892	976	1056		
		BHP	3.47	3.64	3.80	4.01	4.26	4.49	4.91	5.27	5.64	6.53	7.46		
		SONES	44.5	44.8	45.2	46.6	48.4	50.6	54.4	56.4	58.3	64.5	71.3		
7366	2540	RPM	686	708	729	750	774	798	846	883	917	992	1072		
		BHP	4.02	4.21	4.38	4.58	4.82	5.08	5.55	5.95	6.33	7.19	8.18		
		SONES	49.0	49.3	49.6	50.7	52.5	54.6	57.8	60.0	62.0	67.0	73.9		
7735	2667	RPM	718	740	759	779	801	824	870	910	944	1011	-		
		BHP	4.63	4.84	5.01	5.21	5.45	5.72	6.23	6.68	7.08	7.93	-		
		SONES	53.8	54.2	54.4	55.1	56.8	58.2	61.2	63.8	65.7	70.1	-		
8104	2794	RPM	750	771	790	809	829	850	895	937	970	-	-		
		BHP	5.30	5.53	5.71	5.90	6.14	6.41	6.96	7.46	7.90	-	-		
		SONES	59.0	59.5	59.7	59.7	60.6	61.8	64.6	67.5	69.7	-	-		
8473	2922	RPM	782	803	821	839	857	877	920	961	-	-	-		
		BHP	6.03	6.27	6.48	6.67	6.89	7.16	7.75	8.28	-	-	-		
		SONES	64.5	64.9	64.5	64.1	64.4	65.4	68.2	71.2	-	-	-		
8842	3049	RPM	814	835	852	869	886	905	945	-	-	-	-		
		BHP	6.83	7.09	7.31	7.51	7.72	7.98	8.59	-	-	-	-		
		SONES	69.9	69.6	69.1	68.6	68.5	69.4	71.9	-	-	-	-		
9211	3176	RPM	846	866	884	900	-	-	-	-	-	-	-		
		BHP	7.69	7.97	8.21	8.42	-	-	-	-	-	-	-		
		SONES	74.3	74.1	73.8	73.4	-	-	-	-	-	-	-		

18



S&P USA Ventilation Systems, LLC., Div. of Soler & Palau Ventilation Group, certifies that the Models KSFV shown herein are licensed to bear the AMCA Seal. The ratings shown are based on test and procedures performed in accordance with AMCA Publication 211 and AMCA Publication 311 and comply with the requirement of the AMCA Certified Ratings Program.



Performance certified is for installation type B: free inlet, ducted outlet. Power rating (BHP) does not include transmission losses. Performance ratings do not include the effects of appurtenances (accessories). The sound ratings shown are loudness values in fan sones at a distance of 1.5 m (5 ft) in a hemispherical free field calculated per AMCA International Standard 301. Values shown are for installation type B: ducted outlet hemispherical sone levels. Ratings do not include the effect of duct end correction.



**KSFV20**

MODEL KSFV	CFM	OV		Static Pressure in Inches w.g.										
				1/8	1/4	3/8	1/2	5/8	3/4	1	1 1/4	1 1/2	2	2 1/2
20	2600	618	RPM	236	294	346	392	433	-	-	-	-	-	-
			BHP	0.17	0.26	0.37	0.48	0.60	-	-	-	-	-	-
			SONES	7.0	11.3	15.3	17.7	20.2	-	-	-	-	-	-
	3100	736	RPM	258	311	358	401	441	479	545	-	-	-	-
			BHP	0.25	0.35	0.47	0.59	0.72	0.86	1.14	-	-	-	-
			SONES	8.7	13.2	16.1	18.5	20.8	23.2	28.0	-	-	-	-
	3600	855	RPM	283	330	374	414	452	487	553	612	-	-	-
			BHP	0.34	0.46	0.59	0.72	0.87	1.02	1.33	1.66	-	-	-
			SONES	11.2	15.3	17.3	19.5	21.8	24.0	29.3	37.5	-	-	-
	4100	974	RPM	309	352	392	429	465	499	561	619	672	-	-
			BHP	0.47	0.60	0.74	0.88	1.04	1.20	1.54	1.89	2.27	-	-
			SONES	13.9	16.7	18.8	20.9	22.9	25.0	30.6	39.0	47.0	-	-
	4600	1093	RPM	337	376	412	447	481	512	572	628	680	774	-
			BHP	0.62	0.77	0.92	1.08	1.24	1.41	1.77	2.16	2.56	3.39	-
			SONES	16.5	18.4	20.4	22.4	24.3	26.4	32.5	40.7	47.8	56.1	-
	5100	1211	RPM	364	401	435	467	498	528	586	639	689	782	865
			BHP	0.81	0.98	1.14	1.31	1.48	1.67	2.05	2.45	2.88	3.77	4.70
			SONES	18.4	20.3	22.2	24.0	26.0	28.1	34.7	43.1	48.8	57.2	65.7
	5600	1330	RPM	393	427	458	489	518	546	601	652	700	790	873
			BHP	1.04	1.22	1.40	1.58	1.77	1.96	2.36	2.79	3.23	4.17	5.16
			SONES	20.6	22.4	24.1	26.0	27.9	30.5	37.4	45.9	50.1	58.3	66.8
	6100	1449	RPM	421	454	483	512	539	566	618	666	713	800	880
			BHP	1.30	1.50	1.70	1.89	2.09	2.30	2.72	3.17	3.63	4.62	5.66
			SONES	22.9	24.6	26.4	28.2	30.4	33.5	40.5	47.9	51.5	59.7	68.0
	6600	1568	RPM	450	481	509	536	562	587	636	683	728	812	890
			BHP	1.61	1.83	2.04	2.25	2.47	2.68	3.13	3.60	4.08	5.12	6.20
			SONES	25.5	27.1	28.8	30.7	33.6	36.8	44.3	49.8	53.3	61.3	69.4
7100	1686	RPM	480	509	536	561	585	609	656	701	744	825	901	
		BHP	1.97	2.20	2.43	2.66	2.89	3.12	3.59	4.08	4.59	5.66	6.80	
		SONES	28.1	29.7	31.5	34.2	37.2	40.5	48.4	51.8	55.3	63.2	71.2	
7600	1805	RPM	509	537	563	587	610	633	677	720	761	839	913	
		BHP	2.38	2.63	2.88	3.12	3.36	3.61	4.11	4.62	5.15	6.26	7.44	
		SONES	30.9	32.6	35.3	38.1	41.3	44.8	50.5	54.0	57.6	65.2	73.1	
8100	1924	RPM	539	566	590	613	635	657	699	740	780	855	927	
		BHP	2.84	3.11	3.37	3.64	3.89	4.16	4.68	5.22	5.77	6.93	8.14	
		SONES	34.0	36.6	39.4	42.5	45.9	49.4	52.8	56.3	60.2	67.5	75.3	
8600	2043	RPM	569	594	618	640	661	682	722	761	799	872	942	
		BHP	3.36	3.65	3.93	4.21	4.48	4.76	5.32	5.88	6.46	7.66	8.92	
		SONES	38.2	41.1	43.9	47.4	50.4	52.1	55.4	59.1	62.9	70.1	77.8	
9100	2162	RPM	599	623	646	668	688	708	746	784	820	890	958	
		BHP	3.94	4.25	4.55	4.85	5.14	5.43	6.02	6.61	7.21	8.45	9.76	
		SONES	43.0	46.0	49.1	51.6	53.3	54.9	58.3	62.1	65.7	72.8	80.5	
9600	2280	RPM	629	652	675	695	715	734	771	807	842	910	975	
		BHP	4.59	4.92	5.24	5.55	5.86	6.17	6.79	7.41	8.04	9.33	10.68	
		SONES	48.4	51.6	53.2	54.7	56.4	58.1	61.6	65.2	68.6	76.0	83.5	
10100	2399	RPM	659	682	703	723	742	761	796	831	865	930	-	
		BHP	5.31	5.66	5.99	6.33	6.65	6.98	7.62	8.28	8.94	10.28	-	
		SONES	54.2	55.4	56.7	58.1	59.8	61.5	65.1	68.4	71.9	79.2	-	
10600	2518	RPM	689	711	732	751	770	788	822	855	888	951	-	
		BHP	6.10	6.46	6.82	7.17	7.52	7.86	8.54	9.22	9.91	11.30	-	
		SONES	57.7	58.9	60.3	61.6	63.5	65.3	68.6	71.9	75.5	82.6	-	
11100	2637	RPM	720	741	761	780	798	815	848	880	912	-	-	
		BHP	6.97	7.35	7.72	8.09	8.46	8.82	9.53	10.24	10.96	-	-	
		SONES	61.3	62.8	64.3	65.8	67.4	69.1	72.4	75.7	79.2	-	-	
11600	2755	RPM	750	771	790	808	826	843	875	906	-	-	-	
		BHP	7.92	8.32	8.71	9.10	9.48	9.86	10.60	11.34	-	-	-	
		SONES	65.5	67.0	68.5	69.9	71.4	73.0	76.4	79.7	-	-	-	
12100	2874	RPM	781	800	819	837	854	871	-	-	-	-	-	
		BHP	8.95	9.37	9.78	10.18	10.59	10.98	-	-	-	-	-	
		SONES	69.7	71.2	72.6	74.1	75.7	77.3	-	-	-	-	-	
12600	2993	RPM	812	830	848	866	-	-	-	-	-	-	-	
		BHP	10.07	10.50	10.93	11.35	-	-	-	-	-	-	-	
		SONES	74.0	75.5	77.1	78.6	-	-	-	-	-	-	-	



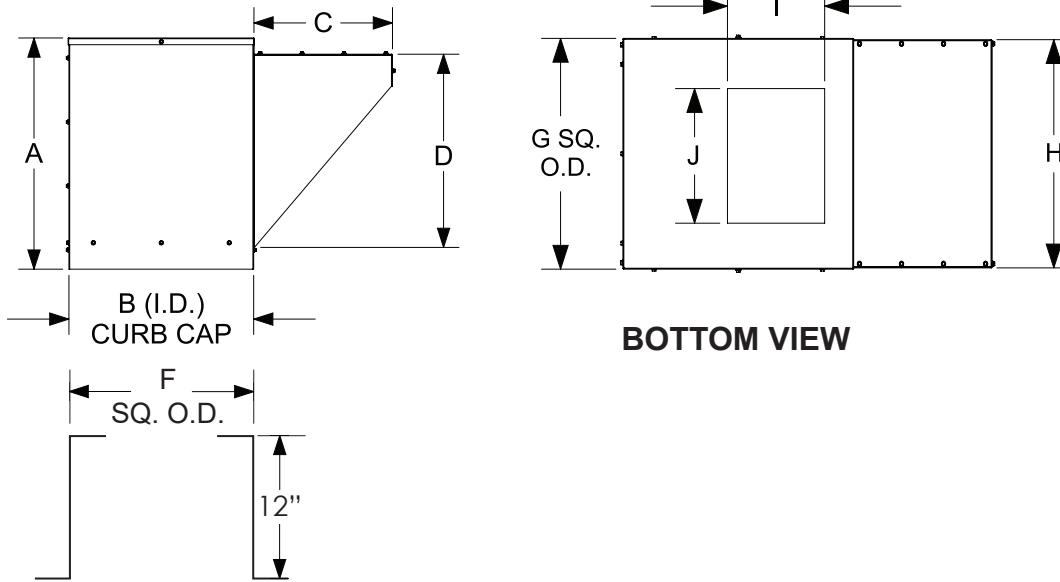
S&P USA Ventilation Systems, LLC., Div. of Soler & Palau Ventilation Group, certifies that the Models KSFV shown herein are licensed to bear the AMCA Seal. The ratings shown are based on test and procedures performed in accordance with AMCA Publication 211 and AMCA Publication 311 and comply with the requirement of the AMCA Certified Ratings Program.



Performance certified is for installation type B: free inlet, ducted outlet. Power rating (BHP) does not include transmission losses. Performance ratings do not include the effects of appurtenances (accessories). The sound ratings shown are loudness values in fan sones at a distance of 1.5 m (5 ft) in a hemispherical free field calculated per AMCA International Standard 301. Values shown are for installation type B: ducted outlet hemispherical sone levels. Ratings do not include the effect of duct end correction.

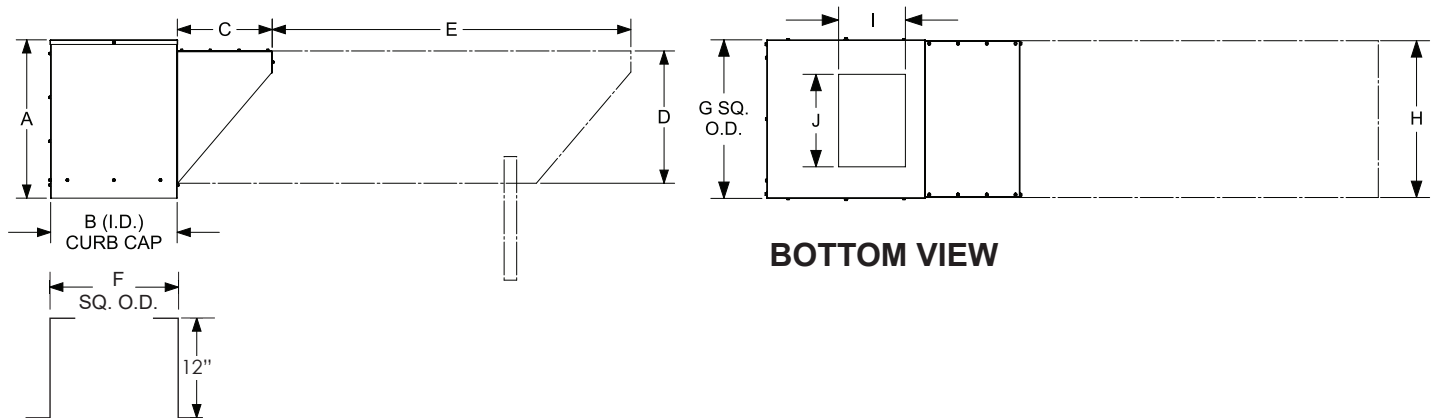


## DIMENSIONS



Model Size	A	B SQ.	C	D	F SQ.	G SQ.	H	I	J	Damper O.D.	Filters (QTY)
KSFV 9	30	23-7/8	18	25-1/8	22-1/2	24	24	10-3/8	12	18-1/2	20 X 20 (1)
KSFV 10	35	33-7/8	18	30-1/8	32-1/2	34	34	11-5/8	13-1/4	28-1/2	16 X 25 (2)
KSFV 12	35	33-7/8	18	30-1/8	32-1/2	34	34	13-5/8	15-3/4	28-1/2	16 X 25 (2)
KSFV 15	35	33-7/8	18	30-1/8	32-1/2	34	34	16-1/8	18-7/8	28-1/2	16 X 25 (2)
KSFV 18	43-1/8	41-7/8	18	30-1/8	40-1/2	42	42	19-1/8	22-1/8	36-1/2	20 X 25 (2)
KSFV 20	49-1/4	51-1/8	23	36-1/4	49	51-1/4	51-1/4	25	25-1/8	44-1/2	24 X 30 (2)

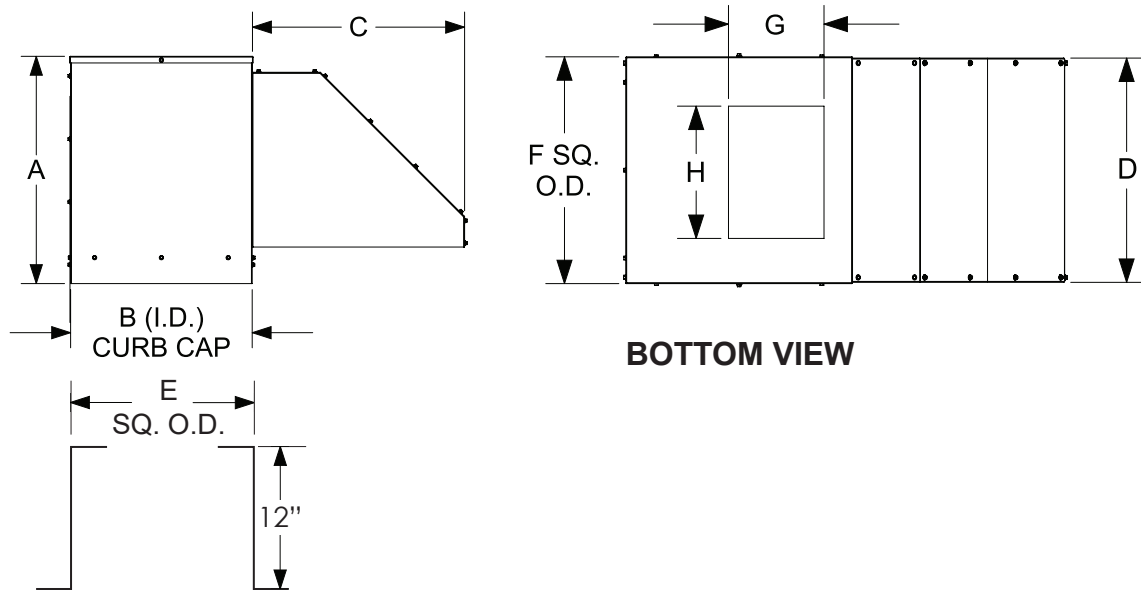
## DIMENSIONS WITH OPTIONAL INTAKE EXTENSION



Model Size	A	B SQ.	C	D	E	F SQ.	G SQ.	H	I	J	DAMPER O.D.	FILTERS (QTY)
KSFV 9	30	23-7/8	18	25-1/8	74-1/4	22-1/2	24	24	10-3/8	12	18-1/2	20 X 20 (1)
KSFV 10	35	33-7/8	18	30-1/8	74-1/4	32-1/2	34	34	11-5/8	13-1/4	28-1/2	16 X 25 (2)
KSFV 12	35	33-7/8	18	30-1/8	74-1/4	32-1/2	34	34	13-5/8	15-3/4	28-1/2	16 X 25 (2)
KSFV 15	35	33-7/8	18	30-1/8	74-1/4	32-1/2	34	34	16-1/8	18-7/8	28-1/2	16 X 25 (2)
KSFV 18	43-1/8	41-7/8	18	30-1/8	78-1/4	40-1/2	42	42	19-1/8	22-1/8	36-1/2	20 X 25 (2)
KSFV 20	49-1/4	51-1/8	23	36-1/4	78-1/4	49	51-1/4	51-1/4	25	25-1/8	44-1/2	24 X 30 (2)



## LOW INTAKE DIMENSIONS



**BOTTOM VIEW**

Model Size	A	B SQ.	C	D	E SQ.	F SQ.	G	H	Damper O.D.	FILTERS (QTY)
KSFV 9	30	23-7/8	28	24	22-1/2	24	10-3/8	12	18-1/2	20 X 20 (1)
KSFV 10	35	33-7/8	31-13/16	34	32-1/2	34	11-5/8	13-1/4	28-1/2	16 X 25 (2)
KSFV 12	35	33-7/8	31-13/16	34	32-1/2	34	13-5/8	15-3/4	28-1/2	16 X 25 (2)
KSFV 15	35	33-7/8	31-13/16	34	32-1/2	34	16-1/8	18-7/8	28-1/2	16 X 25 (2)
KSFV 18	43-1/8	41-7/8	33-15/16	42	40-1/2	42	19-1/8	22-1/8	36-1/2	20 X 25 (2)
KSFV 20	49-1/4	51-1/8	40-1/8	51-1/4	49	51-1/4	25	25-1/8	44-1/2	24 X 30 (2)